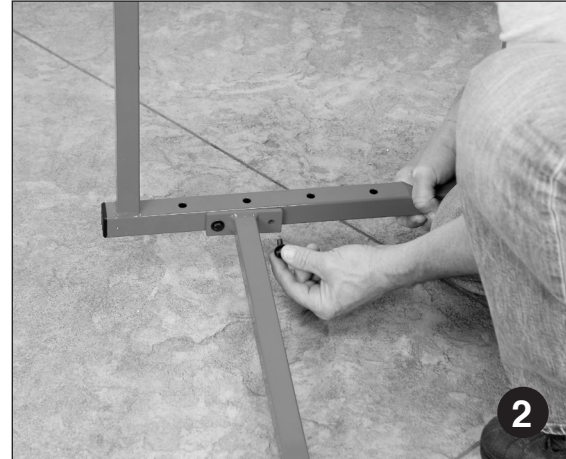


Innovative Material-Cart™

Assembly Instructions



Install Total-Lock Caster Wheels P/N 730-000 into Side Frame P/N 730-011.



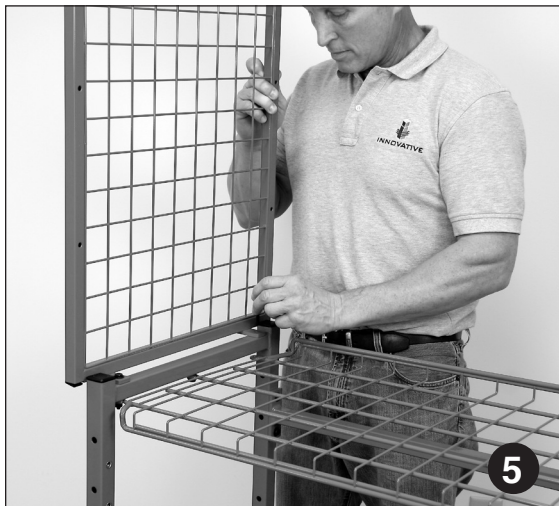
Bolt Crosstube P/N 730-012 to Side Frame using 1/4" x 3/4" bolts and washers. Repeat for other side. (Note: All hardware finger-tight until final step.)



Lay Material Cart flat with Crosstube on floor. Install top shelf using only 1/4" x 3/4" bolts and washers. (Note: smaller wire on top side of shelf.)



Repeat step #3 for middle and bottom shelf. Install 1/4" x 2" bolts with corresponding nuts/washers. (Note: middle shelf not included if Material Cart was ordered with Masker Option.)



Install Upper Side Frame P/N 730-013 using 1/4" x 2" bolts with corresponding nuts/washers. Repeat for opposite side.

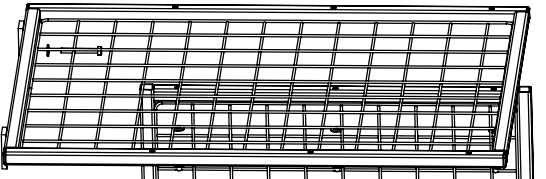


Install Upper Back Frame P/N 730-014 using 1/4" x 2" bolts with corresponding nuts/washers. **Tighten all hardware.**

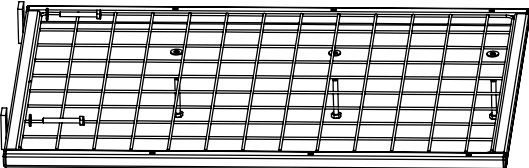
Innovative Material-Cart™ with Masker Option

www.innovativetools.com

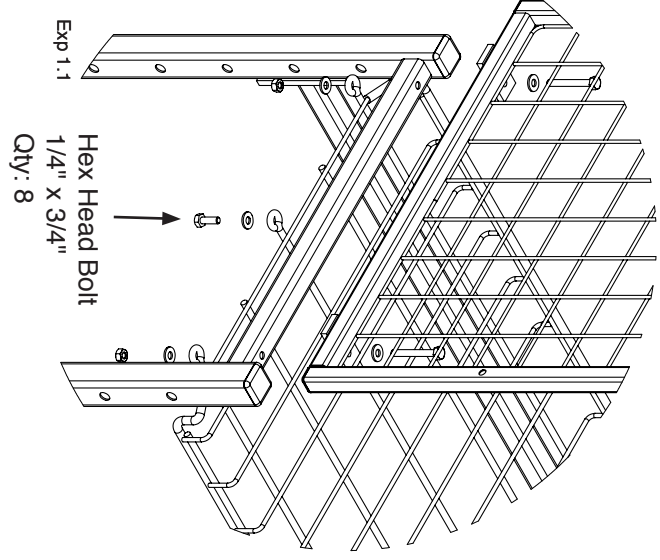
Hex Head Bolt
1/4" x 2"
Qty: 14



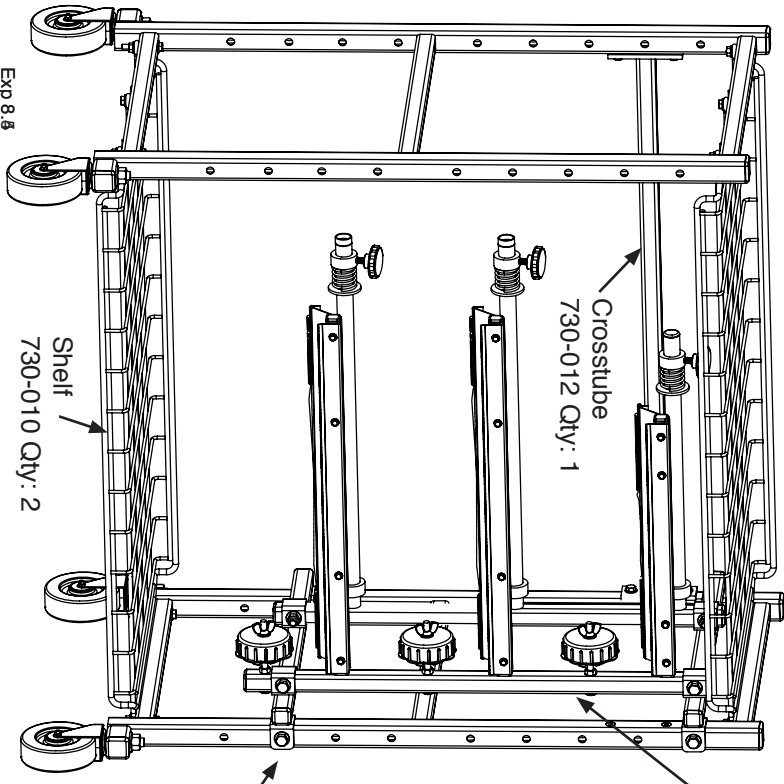
Upper Back Frame
730-014 Qty: 1



Upper Side Frame
730-013 Qty: 2



Hex Head Bolt
1/4" x 3/4"
Qty: 8

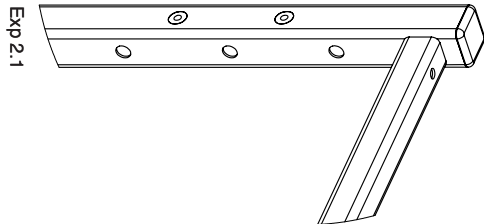
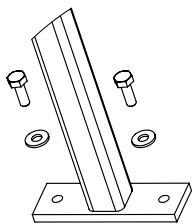


Crosstube
730-012 Qty: 1

Shell
730-010 Qty: 2

Side Frame
730-011 Qty: 2

Masker Option
I-MO
Qty: 1



Exp 2:1

Exp 8:3

Exp 1:1