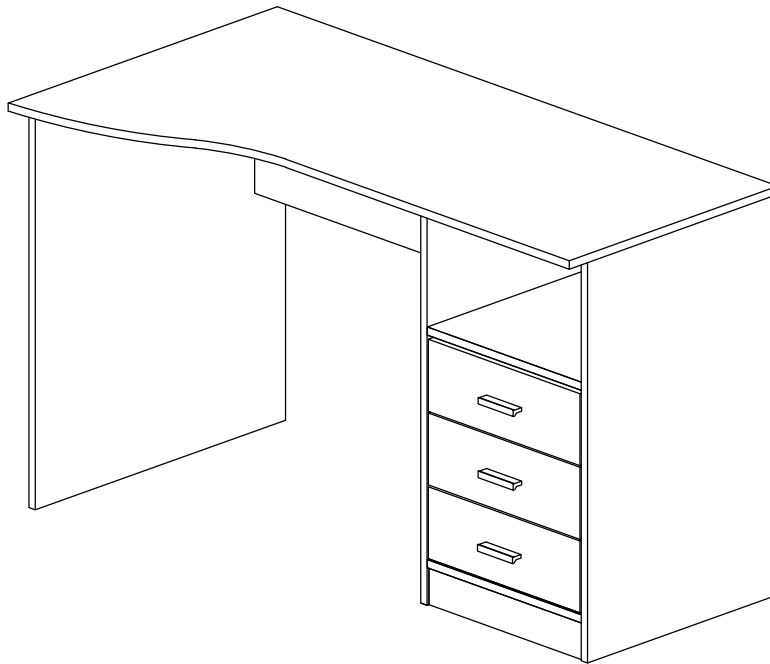


CLASSIC COMPUTER DESK WITH MULTIPLE DRAWERS

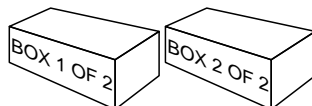
MODEL RTA-8404

ASSEMBLY INSTRUCTIONS

Thank you for purchasing our product



Please note that this product comes packaged in 2 separate boxes



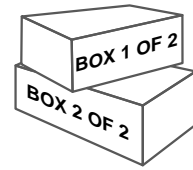
Scan QR to view full assembly video



REV.FP-6919-0922



- This product comes split in 2 separate boxes.



- Do not discard this manual or any of the packaging material until the unit has been completely assembled.



- Please read carefully the assembly instructions before the installation.



- The assembly might require of 2 persons for certain steps. Before you start the installation, make sure there is someone nearby to help you.



- Scan this QR code to view the complete assembly video online.



- For individual Step videos - please use the QR code found on the corresponding step within the manual.



Do a quick inventory of all the parts and hardware listed below



Missing, damaged and defective parts can be replaced at no cost to you. Please refer to the last pages on this manual.



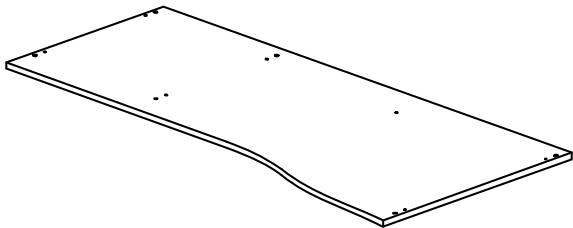
The replacement parts service is limited to the 48 contiguous United States. If you reside in AK, HI, PR, U.S. territories or other countries, please contact the supplier from where the unit was purchased.



MAIN PARTS LIST

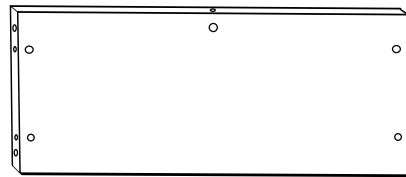
A Tabletop

x1



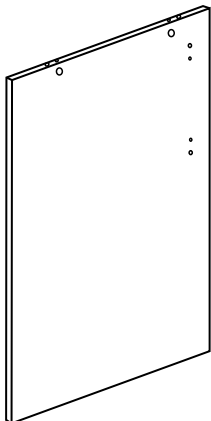
B Left back panel

x1



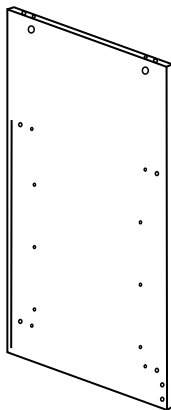
C Left side panel

x1



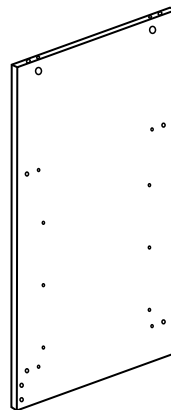
D Right side panel

x1



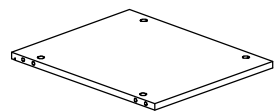
E Middle side panel

x1



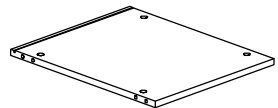
F Right shelf panel

x1



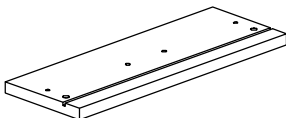
G Right bottom panel

x1



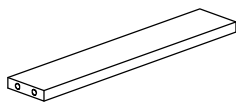
H Drawer front panel

x3



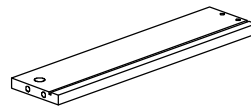
I Bottom skirt panel

x1



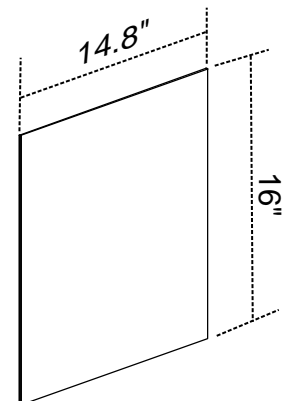
J Drawer left panel

x3



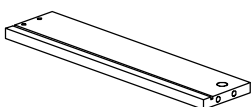
N Right back board

x1



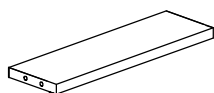
K Drawer right panel

x3



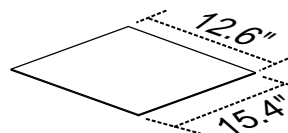
L Drawer back panel

x3

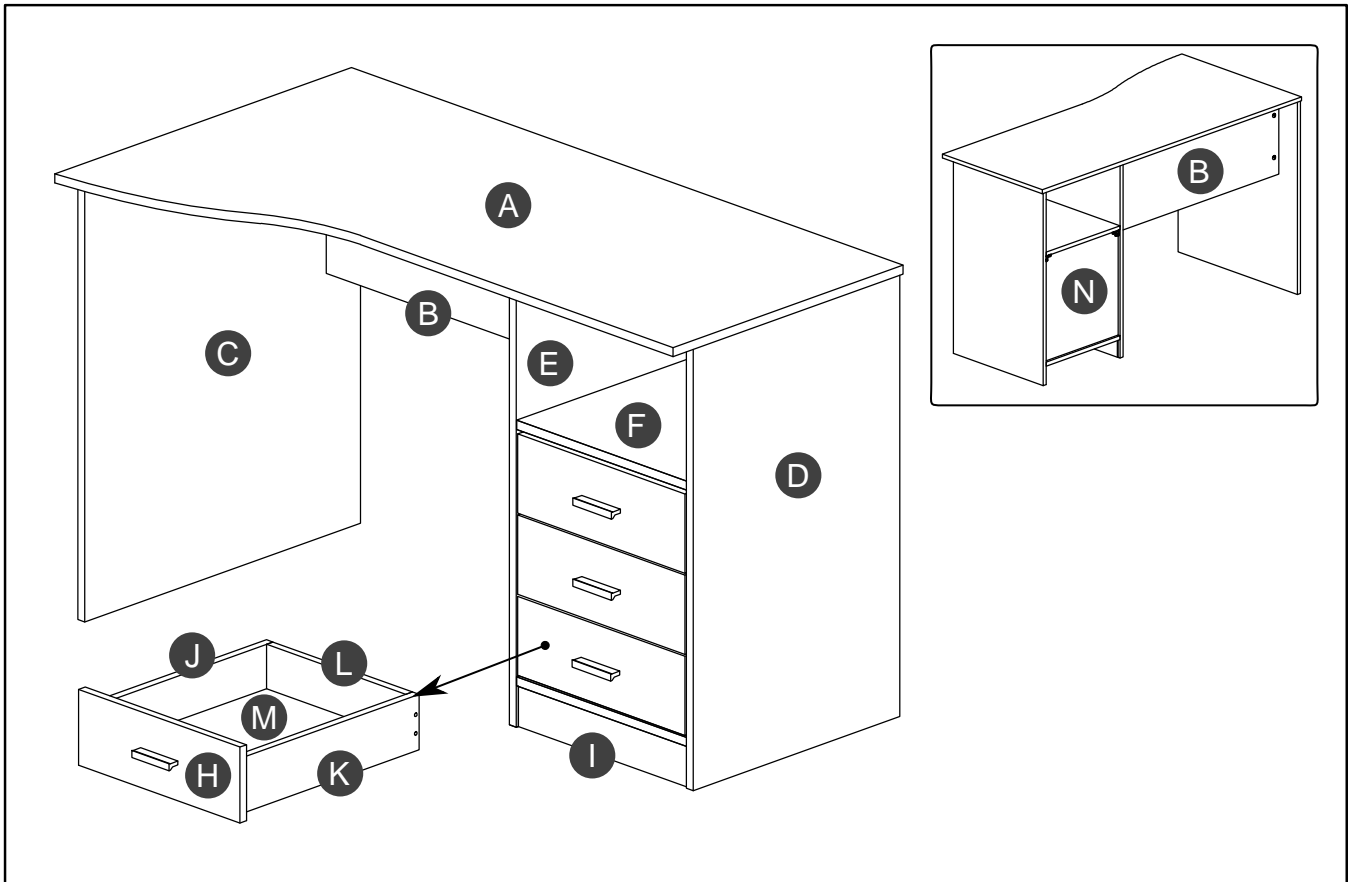


M Drawer bottom board

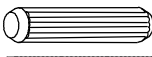


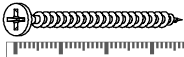
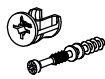

x3

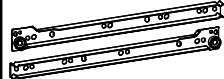
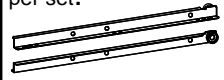


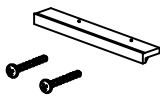



MAIN PARTS LAYOUT (For reference)

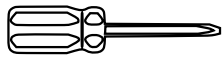



HARDWARE LIST

PART	QTY	SIZE	ITEM
1	28	M6x30 Wooden dowel	
2	12	M5x8 Euro screw	
3	4	M3x16	
4	12	M4x38	
5	25 Sets	Cam bolt and lock	
6	17	Hole cover	

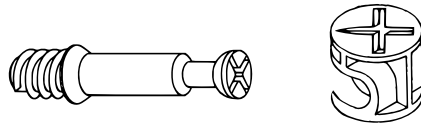
PART	QTY	SIZE	ITEM
7	3 Sets	Sliders, Set of 4 pcs	2 "flat" pieces per set:  2 "L shape" pieces per set: 
8	6	Plastic glide	
9	2	"Z" corner bracket	
10	3 Sets	"L" handle 84mm plus 2 screws M3.6x22	
11	12	M3.5x15	

**TOOLS YOU WILL NEED DURING ASSEMBLY
(NOT INCLUDED WITH PRODUCT)**

Phillips Screwdriver	
Hammer or mallet	

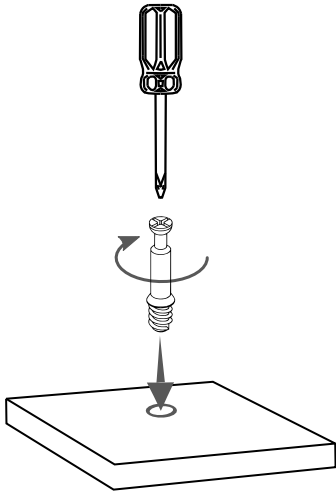
CAM BOLT AND CAM LOCK TUTORIAL

THE INSTRUCTIONS BELOW ARE NOT ACTUAL ASSEMBLY STEPS



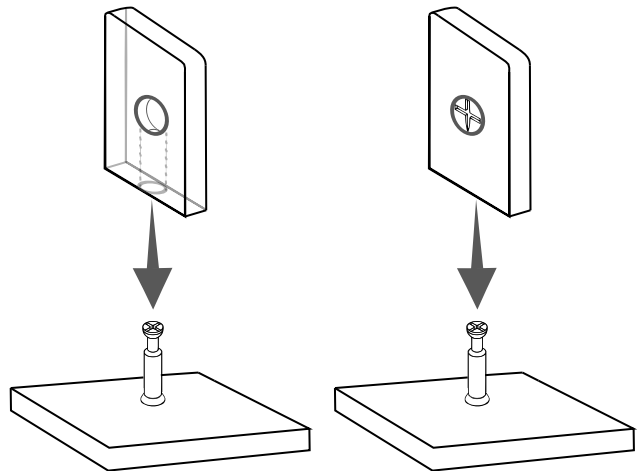
**This unit uses cam bolts and locks (also known as mini fixes).
If you are not familiar with this kind of hardware, the below is a tutorial
that explains how to use them on the steps where they are required.**

1. Screw the bolt into the indicated hole on the panel indicated in the assembly step.

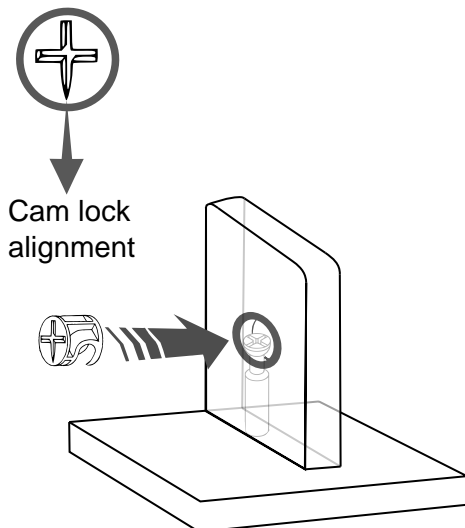


2. Join the other panel (with the big hole) to the panel with the bolt. If it comes with the cam locks already pre-installed, make sure to align them to receive the bolt's head (refer to point 3). There might be a very small gap between the panels which is normal.

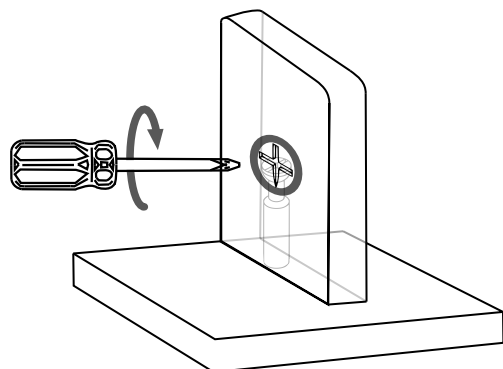
If the cam locks come pre-installed, make sure they are aligned (see point 3).



3. Insert the cam lock on the panel with the big hole making sure it goes aligned to receive the bolt's head.



4. Use a Phillips screwdriver to turn the cam lock clockwise. This will lock the panels together and also will close any gaps.



BEFORE YOU START THE ASSEMBLY, PLEASE READ THE FOLLOWING TIPS AND WARNINGS.

- Do not discard this manual or any of the packaging material until the unit has been completely assembled.



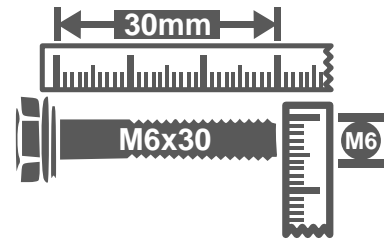
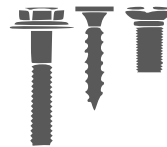
- If during assembly you find an issue or need clarification, please contact our Customer Service for assistance. Please refer to the last pages on this manual.



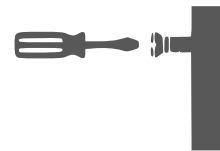
- On each step read the instructions thoroughly and analyze the illustrations before proceeding to do the assembly.
- Follow the instructions step by step and do not skip any unless our Customer Service advises it is OK to do so.



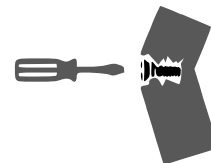
- Make sure you understand which hardware will be used on each step. Using the wrong size of screw, bolt or pin might strip the threads or cause damage to the part in which it is being used.



- To avoid misalignments, always leave the screws loose and tighten them until all pieces are positioned correctly.



- Do not overtighten or force the screws as they might break, strip, damage the threads of the holes or get stuck inside the part.



- If the hole seems too small for the screw, make sure you are using the correct size of screw and/or that you are installing it in the correct hole.



- Sometimes on the panels the laminate or material might be covering the hole partially or entirely. If there is no visible hole or it seems too small, pass and press the tip of your finger over the area where the hole should be located to feel its indentation, and once found, carefully pierce the laminate to uncover the hole underneath.



ASSEMBLY STEPS

STEP 1

Hardware

1 Dowel 28 Pcs

Tools (NOT included)

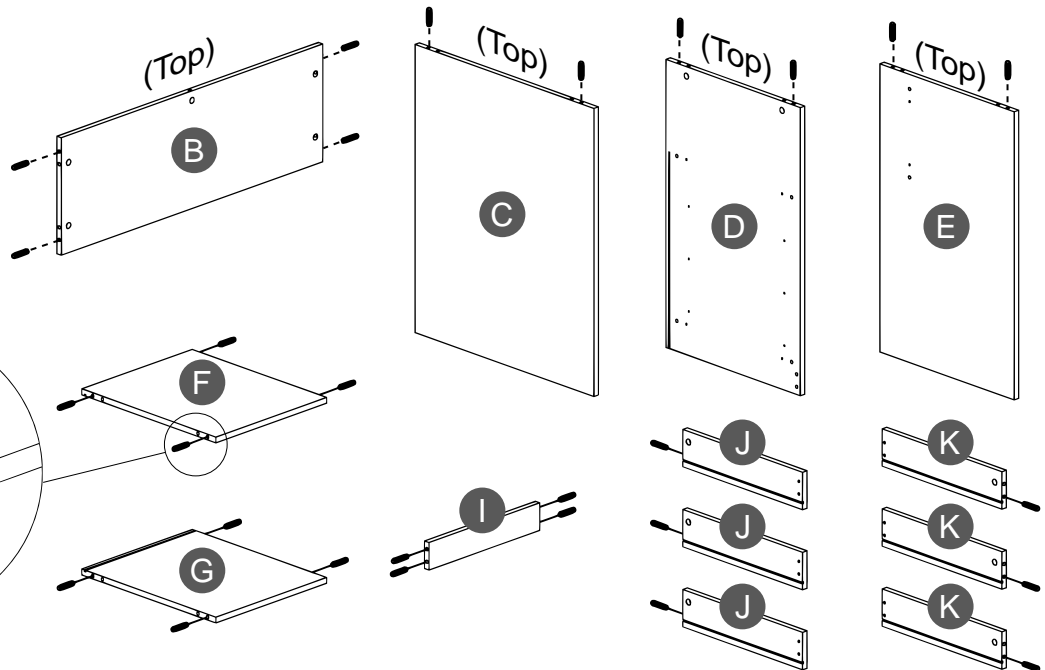


Scan QR to view step



You **WILL NOT** join any panels in this step.

Insert the wooden dowels **1** into the indicated holes on panels **B, C, D, E, F, G, I, J** and **K** as shown. Make sure to insert in the correct holes as others are intended for other hardware in other steps.

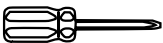


STEP 2

Hardware

5 Bolt 25 Pcs

Tools (NOT included)

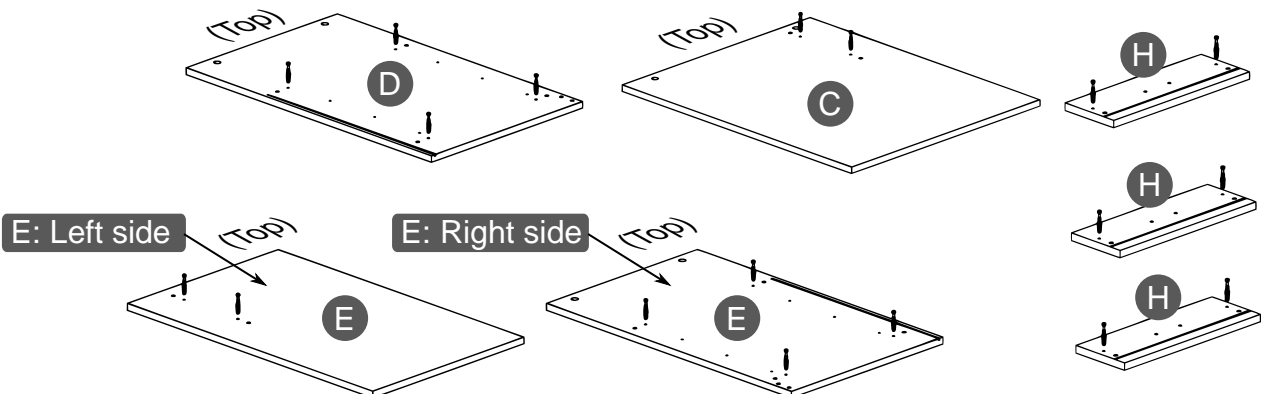
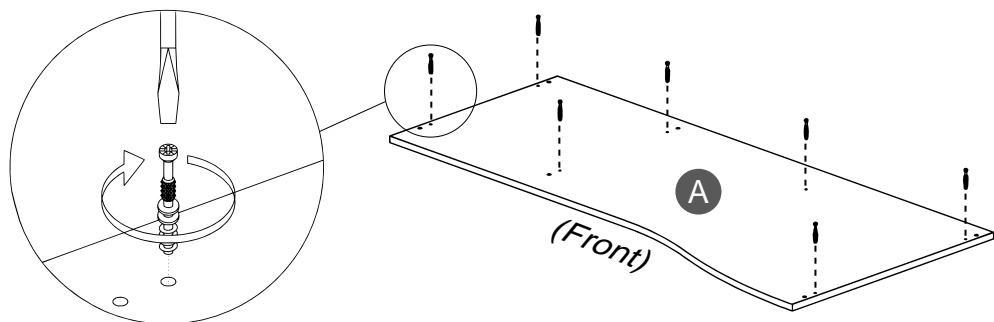


Scan QR to view step



Attach the cam bolts **5** to the indicated holes on panels **A, C, D, E** and **H** as shown. Please make sure to insert in the correct holes as others are intended for other hardware in other steps.

Please note that on panel **E** the bolts attach on both sides.

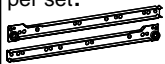


STEP 3

Hardware

7

2 "flat" pieces per set:



2 "L shape" pieces per set:



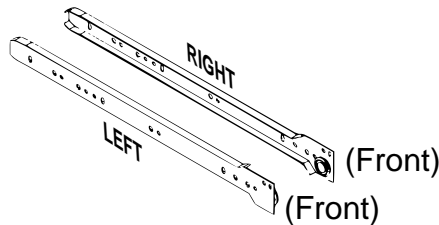
Scan QR to view step



Grab all the 3 sets of sliders **7** and separate them into 2 groups according to their shape:

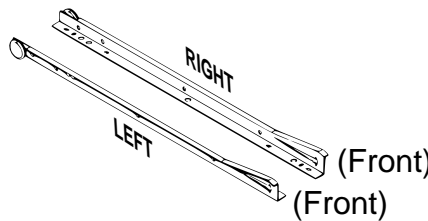
- The "flat" ones will be used on the next step.
- The "L" shaped will be used until step **14**, set them aside.

7 "Flat"



The "flat" ones will be used on the next step.

7 "L" Shaped



The "L" shaped will be used until step **14**, set them aside.

STEP 4

Hardware

2

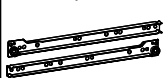


M5x18

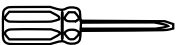
12 Pcs

7

6 "flat" pieces:



Tools (NOT included)



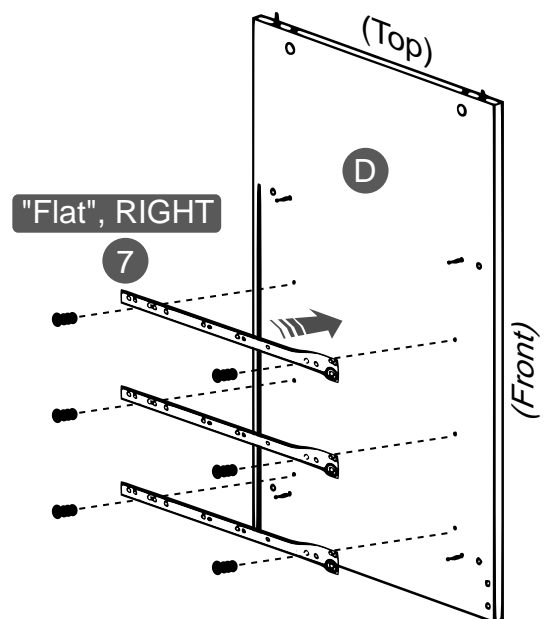
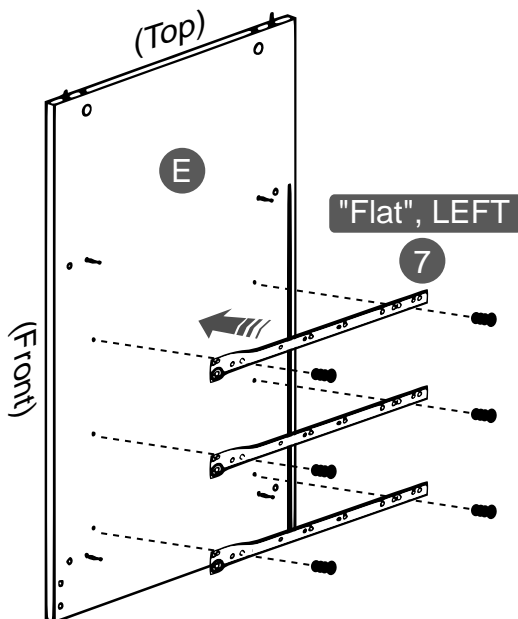
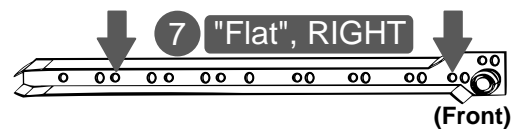
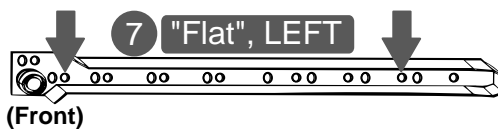
Scan QR to view step



Use screws **2** to assemble the "Flat" sliders **7** to the panels **D** and **E** in their respective sides (Left sliders to **E**, right sliders to **D**).

NOTES:

- The wheels go towards the front of the panels.
- Attach first on the front, through the 3rd hole on the slider.
- The sliders will show 2 free holes above the wheels.



STEP 5

Hardware

5

Cam lock

4
Pcs

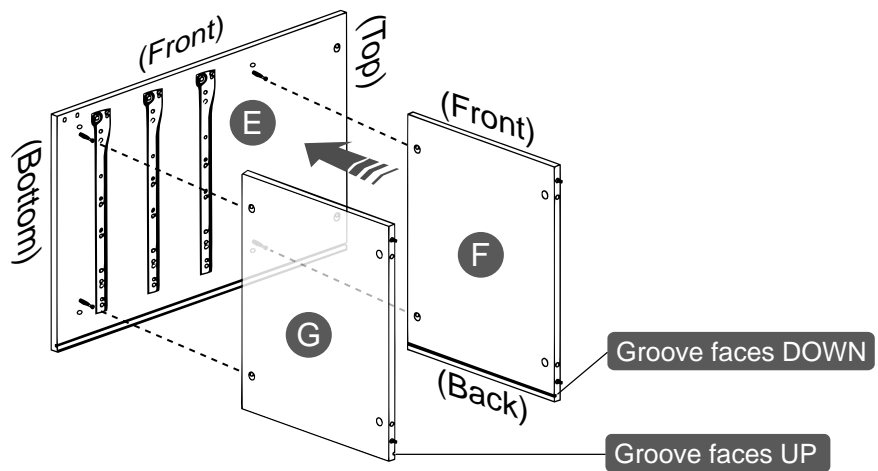
Tools (NOT included)



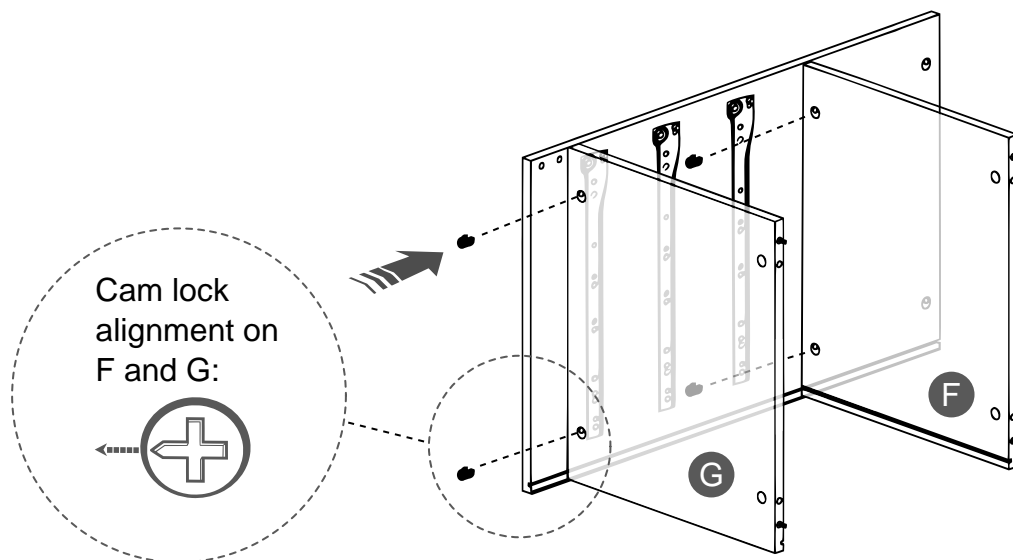
Scan QR to view step



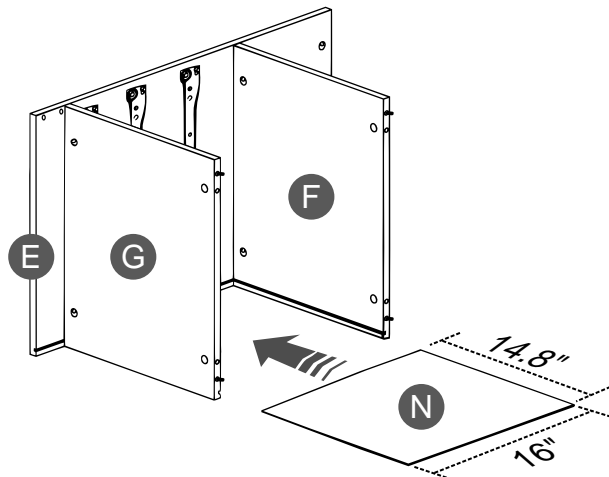
- Join the right shelf panel **F** and the right bottom panel **G** to the middle side panel **E**.



- Install the cam locks **5** into panels **F** and **G** and turn them to lock the pieces as explained in page 4.



- Slide the back panel **N** through the grooves of panels **F** and **G** and into the groove of panel **E**.



STEP 6

This step requires of 2 persons

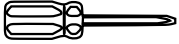


5

Cam lock

4 Pcs

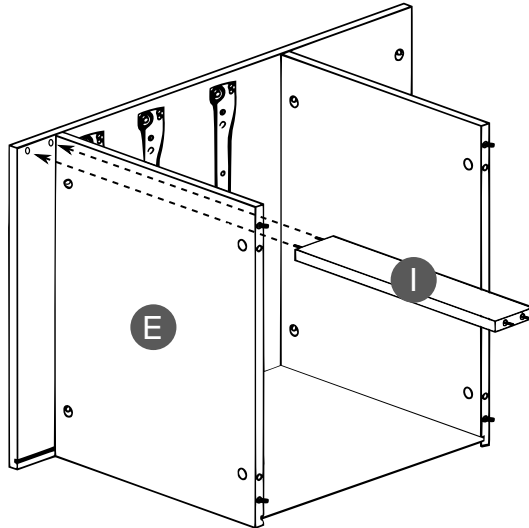
Tools (NOT included)



Scan QR to view step



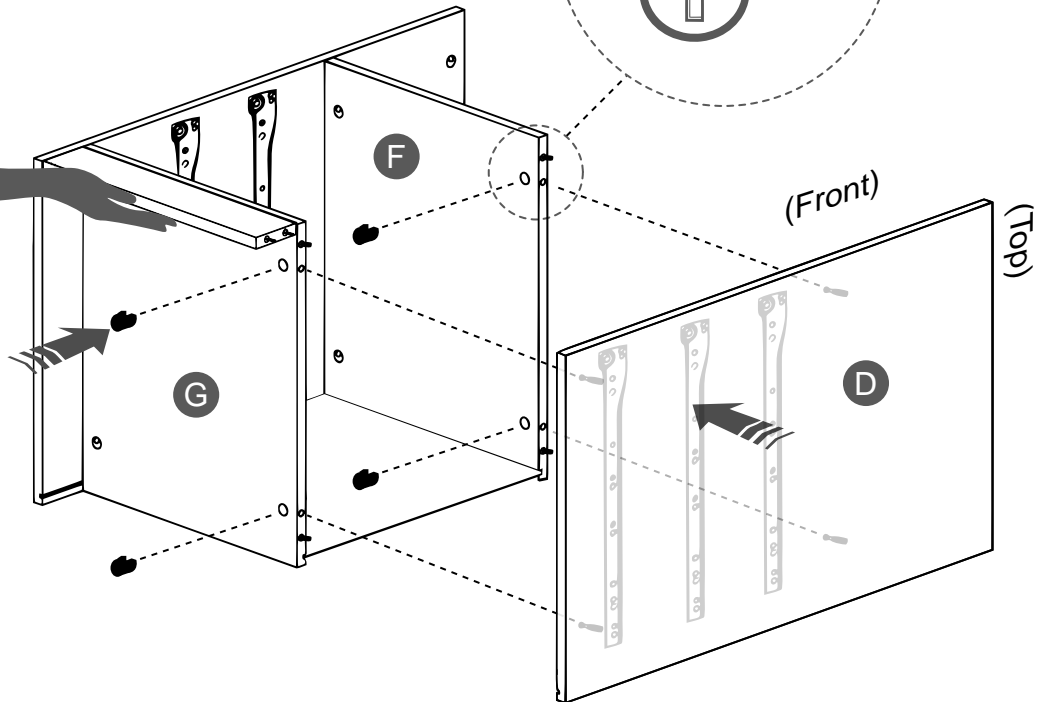
With the help of another person, attach the skirt panel I to the middle side panel E and keep holding the panel while the other person assembles the right side panel D to the panels F and G using cam locks 5 as shown and as explained in page 4.



Cam lock alignment on F and G:



Hold panel I

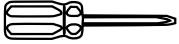


STEP 7

This step requires of  2 persons

5  Cam lock 4 Pcs

Tools (NOT included)



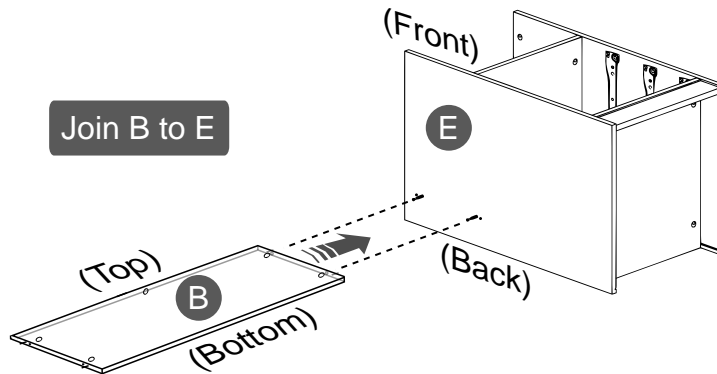
Scan QR to view step



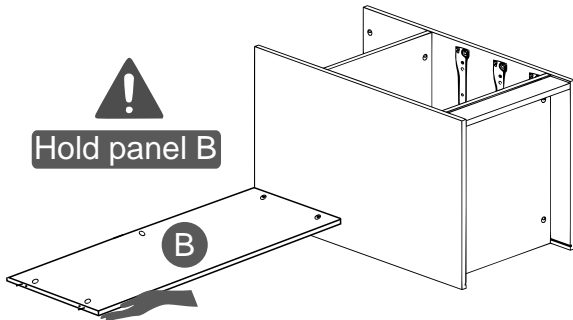
VERY IMPORTANT - PLEASE READ THE INSTRUCTIONS FIRST
It is very important to follow this step exactly as instructed as it avoids the wood panels from cracking or splitting in the process.

- Have ready on hand the cam locks **5** and a screwdriver (not included).
- With the help of another person, join the back panel **B** to panel **E** and keep holding the panel on the other end, or place a 3" or 4" thick square object (like a book) underneath to keep it horizontal.
- Then the other person will join panel **C** to panel **B**, while you install and turn the cam locks in panel **B** as shown and as explained in page **4**.

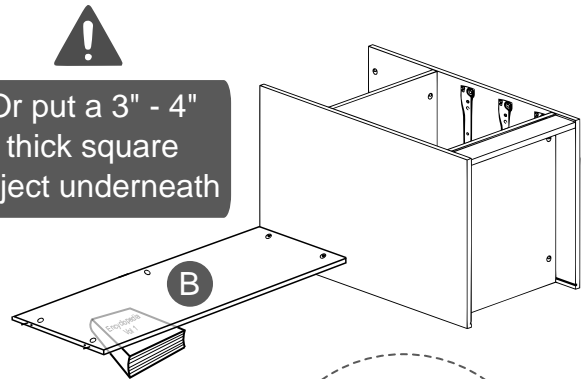
Join B to E



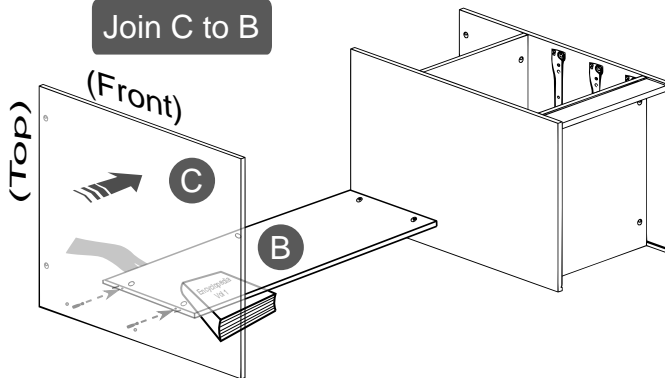
Hold panel B



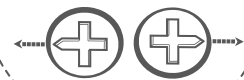
Or put a 3" - 4" thick square object underneath



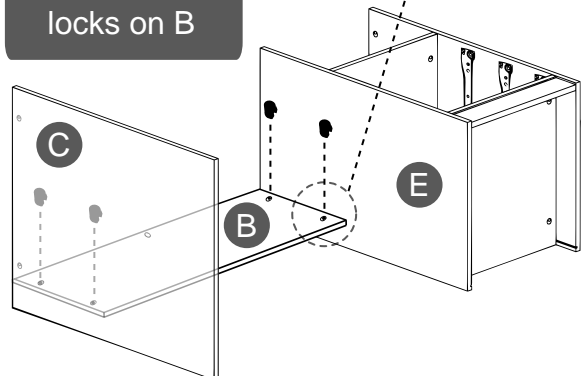
Join C to B



Cam lock alignment on B



Install the cam locks on B



STEP 8

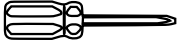
This step
requires of
2 persons



5

6
Pcs

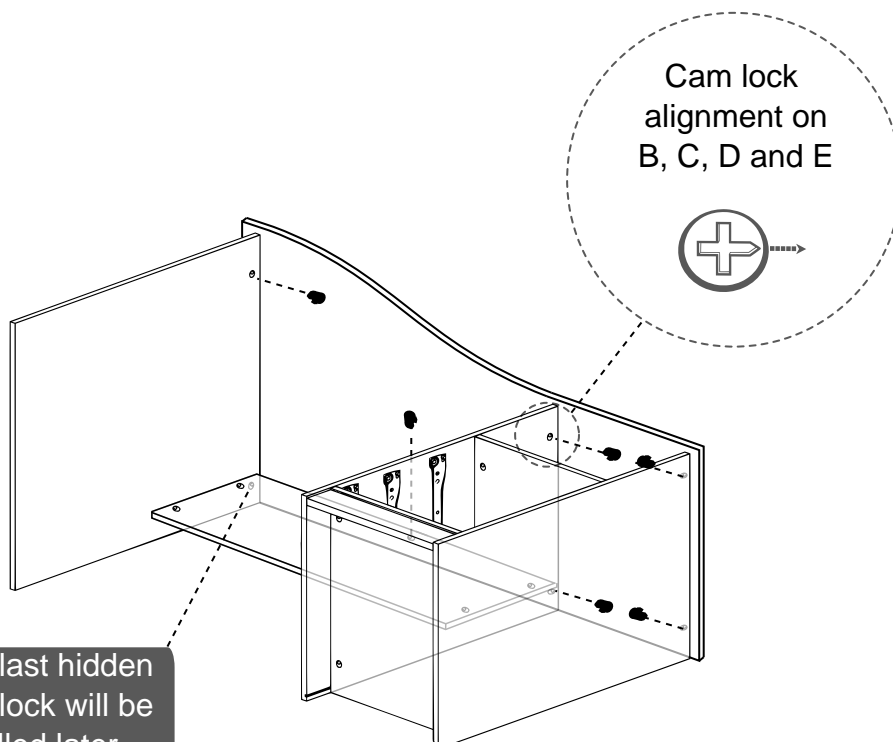
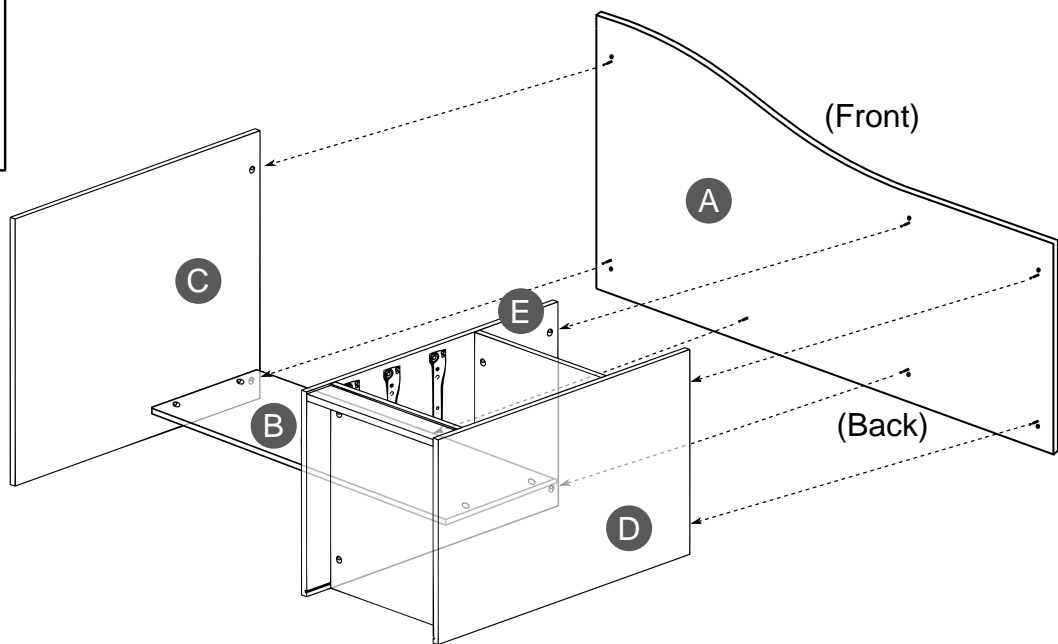
Tools (NOT included)



Scan QR to view step



- With the help of another person, join the tabletop **A** to the panels **B**, **C**, **D** and **E**.
- Install the cam locks **5** into panels **B**, **C**, **D** and **E** and turn them to lock them to the tabletop as shown and as explained in page 4.
- Please note that there will be one last cam lock hidden on **C** pending to install later.



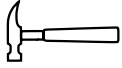
This last hidden
cam lock will be
installed later

STEP 9

Hardware

6	 Covers	10 Pcs
8	 Glides	6 Pcs

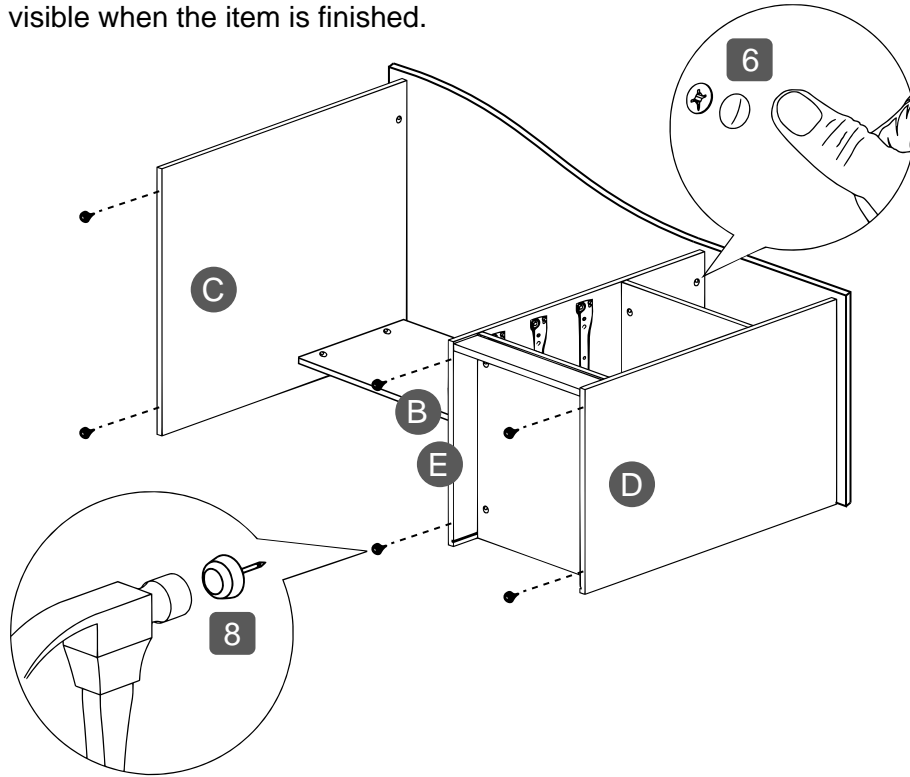
Tools (NOT included)



Scan QR to view step







- Use a hammer (not included) to install the glides **8** to the bottom of the panels **C**, **D** and **E** as shown.
- Cover with **6** all the cam locks on panels **B**, **C**, **D** and **E** that will become visible when the item is finished.



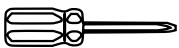
STEP 10

This step requires of  2 persons

Hardware

3	 M3x16	4 Pcs
5	 Cam lock	1 Pc
6	 Cover	1 Pc
9	 Corner bracket	2 Pcs

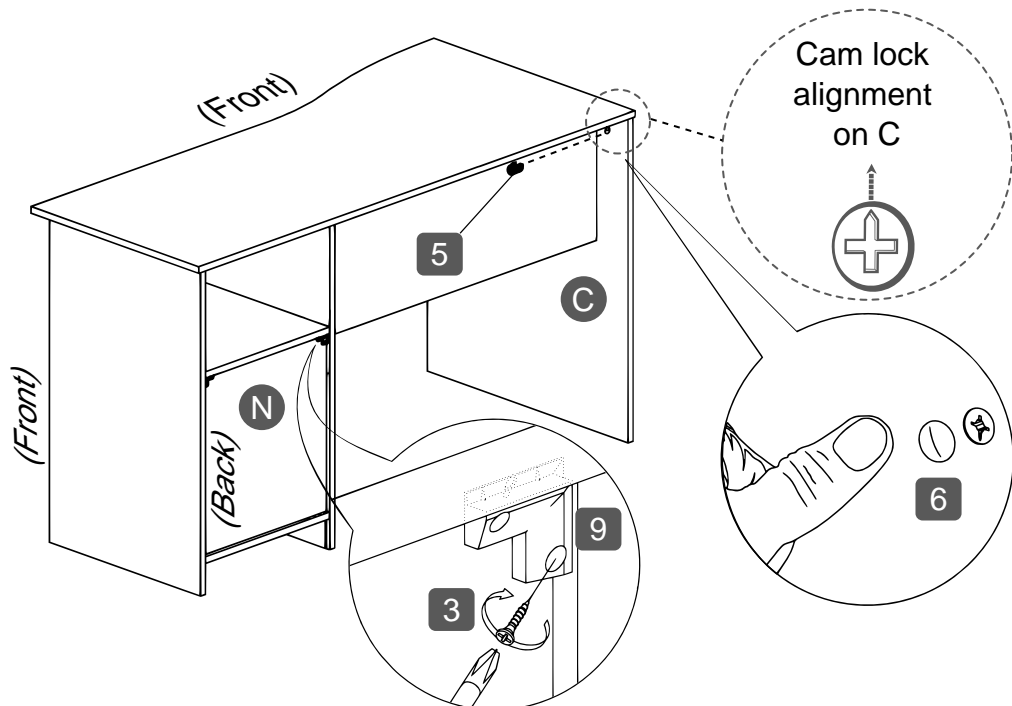
Tools (NOT included)



Scan QR to view step



- With the help of another person, bring the unit upright.
- Install the cam lock **5** into the back hole of panel **C** as shown and as explained in page 4, and cover it with **6**.
- Attach the corner brackets **9** to the 2 upper corners of the back panel **N** with screws **3**.



STEP 11

Hardware

5	 Cam lock	6	Pcs
---	--	---	-----

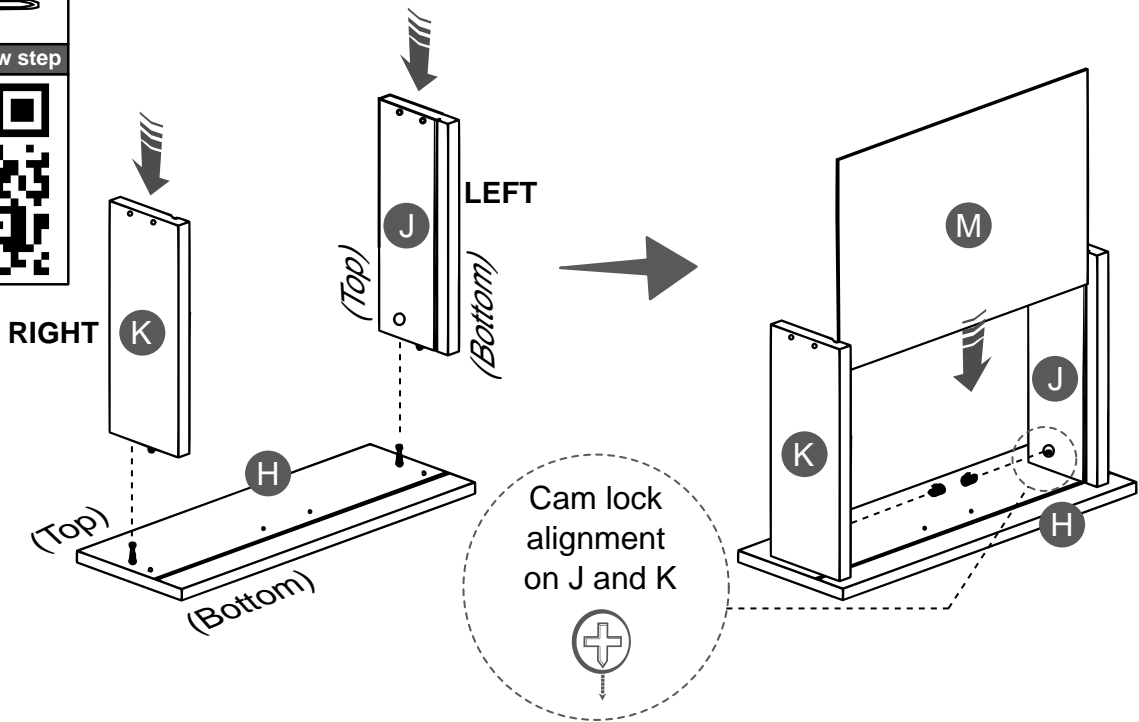
Tools (NOT included)



Scan QR to view step



- For each of the 3 drawers, assemble the side panels **J** and **K** to the front panel **H** on their respective sides with cam locks **5** as shown and as explained in page 4.
- For each of the 3 drawers, slide the bottom board **M** through the grooves of panels **J** and **K** and into the groove of panel **H**.

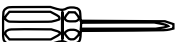


STEP 12

Hardware

4	 M4x38	12	Pcs
---	---	----	-----

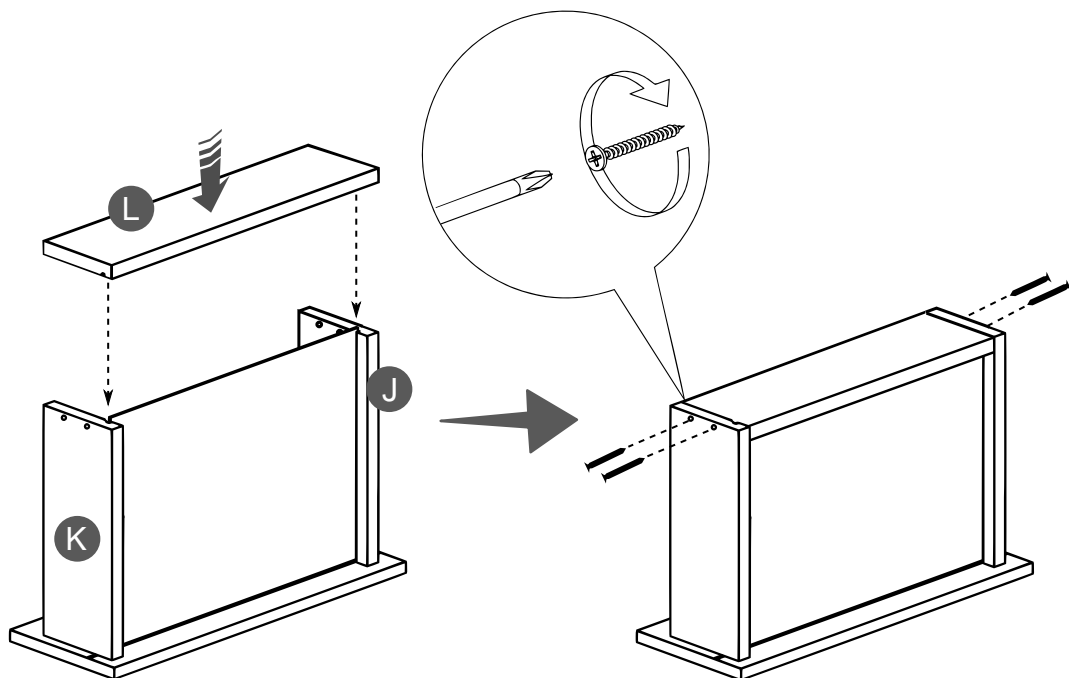
Tools (NOT included)



Scan QR to view step

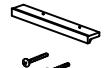



For each of the 3 drawers, assemble the back panel **L** to the side panels **J** and **K** with screws **4** from the sides.

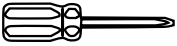


STEP 13

Hardware

10		3 Sets
	Handle with 2 screws	
6		6 Pcs
	Cover	

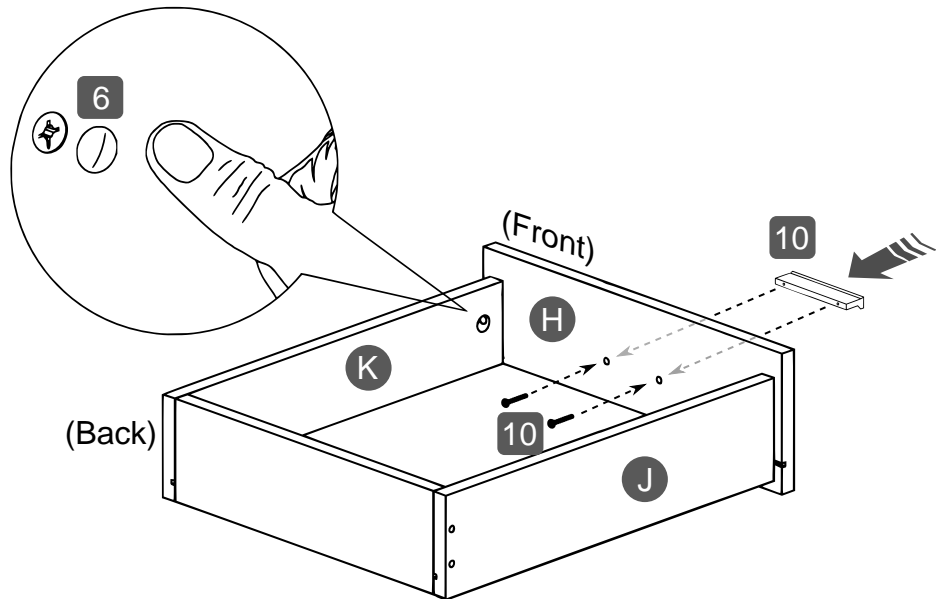
Tools (NOT included)



Scan QR to view step

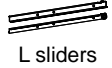
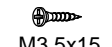


For each of the 3 drawers, install the handle **10** to the front panel **H** using its own screws **10**, then cover the cam locks on panels **J** and **K** with **6**.

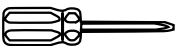


STEP 14

Hardware

7		6 Pcs
	L sliders	
11		6 Pcs
	M3.5x15	

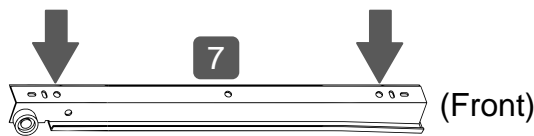
Tools (NOT included)



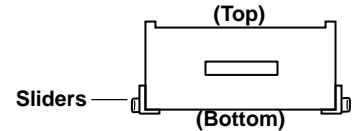
Scan QR to view step



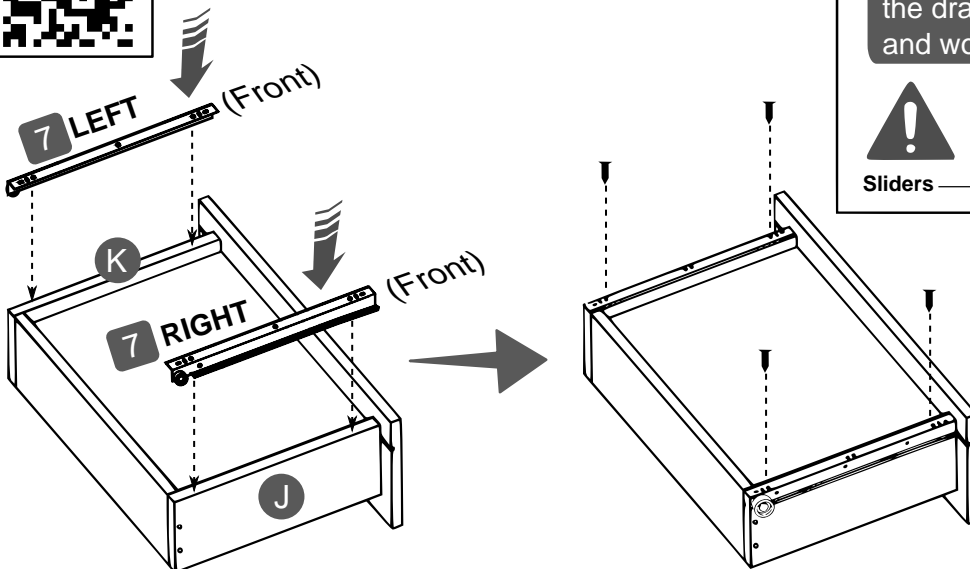
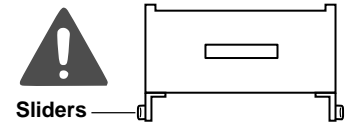
- For each of the drawers, flip them upside-down and assemble the L shaped sliders **7** to the side panels **J** and **K** on the bottom with screws **11**.
- **NOTES:**
 - The wheels go towards the back of the drawer.
 - The sliders should not protrude on the bottom; if they do, the drawers will raise 1" more and won't fit on the desk.



When finished, the sliders look like this:



If you install as below, the drawer raises 1" and won't fit in the unit.



STEP 15

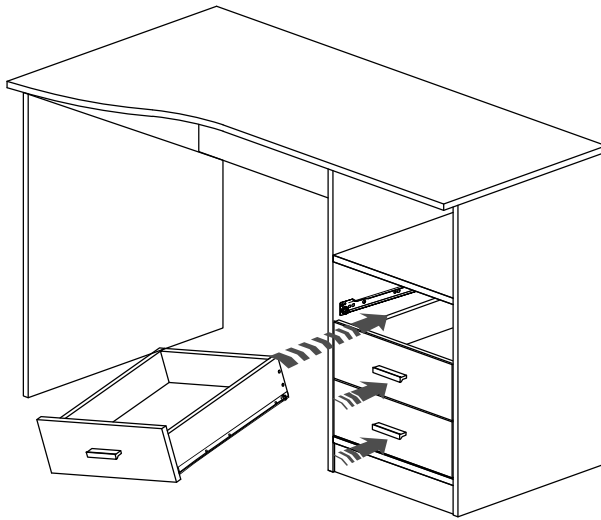
Scan QR to view step



Insert the drawers into the unit starting with the bottom, then middle, then top drawer. You might have to insert them at an angle facing down.

NOTES:

- If the drawers stop halfway, check and make sure that the screws inside the unit and on the drawer are properly tightened and their heads don't protrude or interfere with the drawers' rollers.
- If the drawers don't seem to fit, review the assembly of the sliders in page 7 step 4, and page 14 step 14.



If the drawers stop and do not enter completely, tighten the screws inside the unit as flush as possible.

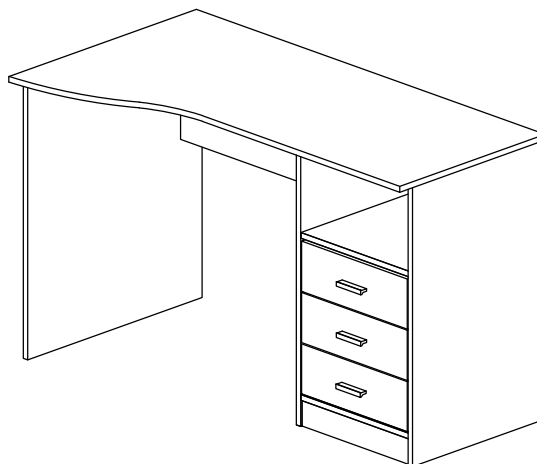


If the drawers don't seem to fit, review the assembly of the sliders in page 7 step 4, and page 14 step 14.



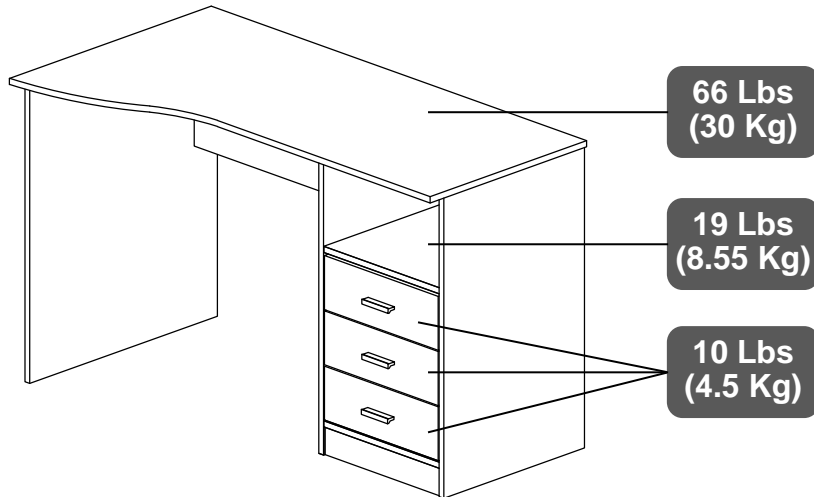
ALL DONE!

Give yourself a nice pat on the back, you did a great job!



ENJOY YOUR NEW UNIT!



WEIGHT LIMITS**WARNINGS**

- Do not exceed the indicated weight limits.
- Do not expose the surfaces to direct sunlight or to extreme environmental conditions.
- Do not use solvents or abrasive materials to clean the unit.
- Do not sit on the unit or lean against it.
- Do not allow small children to play under or over the unit.
- Do not allow small children to reach inside the drawers or compartments without your supervision.
- Do not pull, push or drag the unit to move it for more than 1 feet. The unit must be lifted by at least 2 persons when moving in the same or adjacent rooms.
- Before moving the unit, make sure to secure or remove any object that is heavy or might fall off.
- When lifting the unit, use both hands and bend your knees, not your backs.

CARE AND MAINTENANCE

- Clean the surfaces preferable with a clean cloth damped in a solution of mild soap and water, then dry with a clean towel.
- If you decide to use a cleaning agent, test first on an area hidden from view such as underneath the tabletop.
- Every 4 months, inspect the unit completely and make sure that all screws are tighten.
- When transporting the unit to places far away, protect and secure the unit to avoid damage in transit.
- Shall any part of the unit become defective during the warranty period, replacement parts might be available to you at no charge. Please refer to the last pages on this manual.
- The warranty does not extend to regular wear and tear, nor the manufacturer assumes liability for damages or consequences due to accidents, incorrect assembly, negligence, improper use, modifications, or not heeding the above warnings.

TECHNI MOBILI WARRANTY**DESKS/LAPTOP CARTS/FILE CABINETS: LIMITED 5-YEAR WARRANTY**

RTA Products, LLC warrants to the Original Purchaser who acquired a new product from RTA Products or its authorized resellers that this product will be free from defects in its workmanship and materials, under normal use and service conditions, as described herein. "Defects" as used in this warranty, is defined as any imperfections that impair the use of the furniture or product. RTA Products LLC will replace any defective part, at its discretion, and without charge to the original purchaser other than the freight from the end consumer to RTA Products.

Replacement parts can only be supplied if parts are available. Items out of production may be unavailable. This warranty will be effective for the applicable time period beginning the date of purchase on your original sales receipt. RTA product's obligation under this warranty is limited to repairing or replacing products or parts as provided herein. This product has been designed for and is intended for office and home-office use only. This warranty is Original Purchaser's sole remedy for product defects, and this warranty does not extend to any product, or damage to any product, caused by or attributed to abuse or misuse, products used for commercial or rental purposes, use modifications of, or attachments to the product, and products or parts not used, maintained, or extended hereunder is in lieu of any and all other warranties, express or implied, including without limitations any implied warranty or merchantability or of fitness for a particular purpose. Please note, all desks made with PVC Laminate surface should not be exposed to direct sunlight, as it may damage the material. Damage of this nature is not covered under this warranty.

RTA Products will not be responsible for indirect, special, incidental or consequential damages. This warranty is limited to merchandise purchased in the Continental United States, excludes AK, HI and PR. Some States do not allow the exclusion or limitation of incidental or consequential damages, so the above limitations or exclusions may not apply to you. This warranty gives you specific legal rights. You may also have other rights that may vary from state to state.

RTA Products will advise you of the procedure to follow in making warranty claims. The following are the procedures for warranty claims:

- a. Call us Monday – Friday, from 9am-5pm (Eastern Time) at (866) 782-5520 to explain the defect and give your name, address and phone number. Please have ready the model number of our product, date and place of purchase. You can also write to us by e-mail to warranty@rtaproducts.com and include the same information.
- b. If we determine that replacement will remedy the situation, and in order to determine the extent or the cause of the defect, purchaser will need to send the part in question at purchaser's expense. Once we receive the part, we will examine it and determine whether the claim is valid (or not), and then proceed to send the replacement. We will ship the replacement at our expense.

FOR SEVERAL HELP OPTIONS INCLUDING REPLACEMENT PARTS ORDERS

VISIT: WWW.TECHNIMOBILI.COM

☞ AND CLICK ON SUPPORT TAB

Or scan the following QR Code:



Scan the following QR Code to order replacement parts:



EMAIL US:

support@rtaproducts.com