



CONTACT SMART CARD READER

# ACR40U

## VERSATILE & STURDY

Introducing the ACR40U, ACS's latest compact high-speed USB contact smart card reader. It provides seamless support for **ISO 7816 Class A, B, and C smart cards, microprocessor cards using T=0 and T=1 protocols**, and a wide range of memory cards available in the market.

The ACR40U features two LED lights, providing clear visual indicators for card and reader status. Exciting new additions include **firmware upgradability and on-device user data storage**, catering to various application scenarios. It also comes with a stand accessory that allows for multiple configurations, including **upright and horizontal orientations**.

The ACR40U is compliant with CCID, PC/SC, and Microsoft® WHQL standards, ensuring seamless integration with various operating systems such as **Windows®, Linux®, macOS, iOS, iPadOS, and Android™**.

Both **USB Type-A and USB Type-C** interfaces are available, providing flexible connectivity options.

### KEY FEATURES

- ✔ **Supports Various Types of Contact Cards**
  - ISO 7816 Class A, B and C (5 V, 3 V and 1.8 V)
  - Microprocessor Card (T=0, T=1)
  - Memory Card
  - MyKad, CAC, J-LIS, SIPRNET Cards
- ✔ **Supports Firmware Upgrade**
- ✔ **Supports User Data Storage**
- ✔ **Supports Multiple Card Insertion Configurations (Upright/ Horizontal)**
- ✔ **Reliable**
  - Certified for international regulations
    - CE, FCC, UKCA, VCCI, RoHS, REACH, WEEE, UL 62368, IEC/EN 62368, EMV™ Level 1 (Contact), PBOC Level 1 (Contact), KC, J-LIS, TAA, Microsoft® WHQL
- ✔ **Compatible**
  - Supports all major operating systems
    - Windows®, Linux®, macOS, iOS, iPadOS, Android™, Solaris™



### COMMON APPLICATIONS

- e-Government
- e-Banking and e-Payment
- e-Healthcare
- Public Key Infrastructure
- Network Security
- Access Control
- Loyalty Program



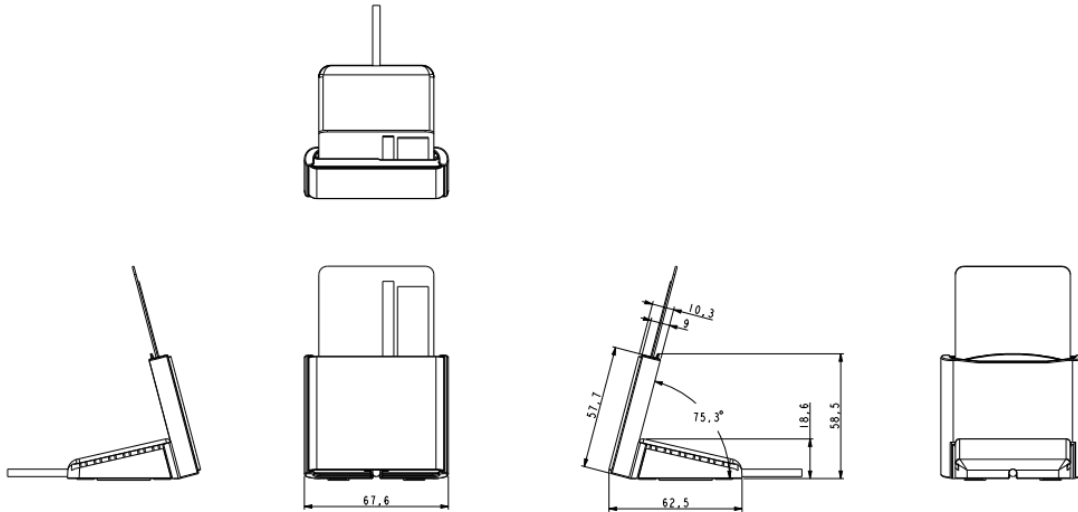
## TECHNICAL SPECIFICATIONS

Contact Smart Card Interface	
Number of Slot(s)	1 Full-Sized Card Slot
Supported Card Types	ISO 7816 Parts 1-4, Class A, B, C (5 V, 3 V, 1.8 V), Microprocessor Card (T=0, T=1), Memory Card, MyKad, CAC, J-LIS, SIPRNET Card
Supply Current	Max. 50 mA
Read/Write Speed	9.6 – 600 Kbps
Clock Frequency	4.80 MHz; Operates Up to 16MHz
Card Connector	Contact
Card Insertion Cycles	Min. 200,000
PPS (Protocol and Parameters Selection)	Supported
Short Circuit Protection	Supported
Host Interface	
Protocol	USB CCID
Connector Type(s)	Standard Type-A, Type-C
USB Interface	USB 2.0 Full Speed (12Mbps) Compatible with USB 3.0
Supply Voltage	5 V
Cable Length	1m (Fixed)
Application Programming Interface	
PC-Linked Mode	PC/SC
Other Features	
Firmware Upgrade	Supported
User Data Storage	Supported

Physical Characteristics	
Dimensions	62.5mm (L) × 67.6mm (W) × 58.5mm (H)
Weight	65.0 g ± 6.5 g
Available Colour(s)	White
Peripherals	
LED	Blue, Green
Operating Conditions	
Temperature	0 - 60°C
Humidity	90% (Non-Condensing)
MTBF	600,000 Hours
Certifications & Compliances	
Certifications	CE, FCC, UKCA, VCCI, RoHS, REACH, WEEE, UL 62368, IEC/EN 62368, EMV™ Level 1 (Contact), PBOC Level 1 (Contact), KC, J-LIS, TAA, Microsoft® WHQL
Compliances	USB CCID, PC/SC
Driver Supported OS	
Driver Supported OS	Windows®, Linux®, macOS, iOS, iPadOS, Android™, Solaris™
Model/Part Number	
Default [USB Type-A]	ACR40U-B1
Default [USB Type-C]	ACR40U-BF

## MECHANICAL SPECIFICATIONS

Note: All dimensions in mm



### About ACS

Advanced Card Systems Ltd. (ACS), founded in 1995, is Asia Pacific's top supplier and one of the world's top 3 suppliers of PC-linked smart card readers. ACS is the winner of the Product Quality Leadership Award for Smart Card Readers from Frost & Sullivan. In 2010, 2014 and 2015, ACS was listed in Forbes Asia's "Best Under a Billion" list, an inter-industry list comprised of 200 top-performing publicly listed companies in the Asia-Pacific, with sales between US\$5 million and US\$1 billion. ACS develops a wide range of high-quality smart card reading/writing devices, smart cards and related products and distributes them to over 100 countries worldwide.

Click [here](#) for Sales Enquiry

Tel: +852-2796-7873

Fax: +852-2796-1286

Android is a trademark of Google LLC.

Linux® is the registered trademark of Linus Torvalds in the U.S. and other countries.

macOS is a trademark of Apple Inc., registered in the U.S. and other countries.

Microsoft® and Windows® are either registered trademarks or trademarks of the Microsoft Corporation in the United States and/or other countries.

ACR40U – Sept 2023. Subject to change without prior notice.



[www.acs.com.hk](http://www.acs.com.hk)

[info@acs.com.hk](mailto:info@acs.com.hk)