



CONTACT SMART CARD READER

# ACR40U

## VERSATILE & CONVENIENT

Introducing the ACR40U, ACS's latest compact high-speed USB contact smart card reader. It provides seamless support for **ISO 7816 Class A, B, and C smart cards, microprocessor cards using T=0 and T=1 protocols**, and a wide range of memory cards available in the market.

The ACR40U features two LED lights, indicating card and reader status. Exciting new additions include **firmware upgradability and on-device user data storage**, catering to various application scenarios.

The ACR40U ensures compliance with CCID, PC/SC, and Microsoft® WHQL standards. It offers compatibility with multiple operating systems such as **Windows®, Linux®, macOS, iOS, iPadOS, and Android™**.

Furthermore, both **USB Type-A and Type-C** interface options are available, allowing for seamless connectivity and expanding the reader's versatility and convenience.

### KEY FEATURES

- ✔ **Supports Various Types of Contact Cards**
  - ISO 7816 Class A, B and C (5 V, 3 V and 1.8 V)
  - Microprocessor Card (T=0, T=1)
  - Memory Card
  - MyKad, CAC, J-LIS, SIPRNET Cards
- ✔ **Supports Firmware Upgrade**
- ✔ **Supports User Data Storage**
- ✔ **Reliable**
  - Certified for international regulations
    - CE, FCC, UKCA, VCCI, RoHS, REACH, WEEE, UL 62368, IEC/EN 62368, EMV™ Level 1 (Contact), PBOC Level 1 (Contact), KC, J-LIS, TAA, Microsoft® WHQL
- ✔ **Compatible**
  - Supports all major operating systems
    - Windows®, Linux®, macOS, iOS, iPadOS, Android™, Solaris™



### COMMON APPLICATIONS

- e-Government
- e-Banking and e-Payment
- e-Healthcare
- Public Key Infrastructure
- Network Security
- Access Control
- Loyalty Program



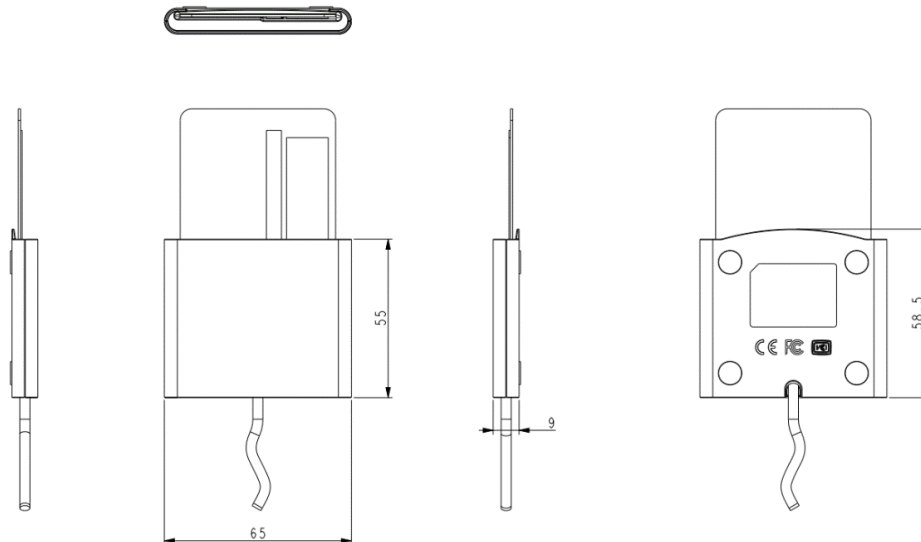
## TECHNICAL SPECIFICATIONS

| Contact Smart Card Interface            |   |
|---|---|
| Number of Slot(s)                       | 1 Full-Sized Card Slot  |
| Supported Card Types                    | ISO 7816 Parts 1-4, Class A, B, C (5 V, 3 V, 1.8 V), Microprocessor Card (T=0, T=1), Memory Card, MyKad, CAC, J-LIS, SIPRNET Card |
| Supply Current                          | Max. 50 mA  |
| Read/Write Speed                        | 9.6 – 600 Kbps  |
| Clock Frequency                         | 4.80 MHz; Operates Up to 16MHz  |
| Card Connector                          | Contact   |
| Card Insertion Cycles                   | Min. 200,000  |
| PPS (Protocol and Parameters Selection) | Supported   |
| Short Circuit Protection                | Supported   |
| Host Interface                          |   |
| Protocol                                | USB CCID  |
| Connector Type(s)                       | Standard Type-A, Type-C   |
| USB Interface                           | USB 2.0 Full Speed (12Mbps) Compatible with USB 3.0   |
| Supply Voltage                          | 5 V   |
| Cable Length                            | 1m (Fixed)  |
| Application Programming Interface       |   |
| PC-Linked Mode                          | PC/SC   |
| Other Features                          |   |
| Firmware Upgrade                        | Supported   |
| User Data Storage                       | Supported   |

| Physical Characteristics     |   |
|------------------------------|---|
| Dimensions                   | 55.0mm (L) × 65.0mm (W) × 9.0mm (H)   |
| Weight                       | 40.0 g ± 4.0 g  |
| Available Colour(s)          | White   |
| Peripherals                  |   |
| LED                          | Blue, Green   |
| Operating Conditions         |   |
| Temperature                  | 0 - 60°C  |
| Humidity                     | 90% (Non-Condensing)  |
| MTBF                         | 600,000 Hours   |
| Certifications & Compliances |   |
| Certifications               | CE, FCC, UKCA, VCCI, RoHS, REACH, WEEE, UL 62368, IEC/EN 62368, EMV™ Level 1 (Contact), PBOC Level 1 (Contact), KC, J-LIS, TAA, Microsoft® WHQL |
| Compliances                  | USB CCID, PC/SC   |
| Driver Supported OS          |   |
| Driver Supported OS          | Windows®, Linux®, macOS, iOS, iPadOS, Android™, Solaris™  |
| Model/Part Number            |   |
| Default [USB Type-A]         | ACR40U-A1   |
| Default [USB Type-C]         | ACR40U-AF   |

## MECHANICAL SPECIFICATIONS

Note: All dimensions in mm



### About ACS

Advanced Card Systems Ltd. (ACS), founded in 1995, is Asia Pacific's top supplier and one of the world's top 3 suppliers of PC-linked smart card readers. ACS is the winner of the Product Quality Leadership Award for Smart Card Readers from Frost & Sullivan. In 2010, 2014 and 2015, ACS was listed in Forbes Asia's "Best Under a Billion" list, an inter-industry list comprised of 200 top-performing publicly listed companies in the Asia-Pacific, with sales between US\$5 million and US\$1 billion. ACS develops a wide range of high-quality smart card reading/writing devices, smart cards and related products and distributes them to over 100 countries worldwide.

Click [here](#) for Sales Enquiry

Tel: +852-2796-7873

Fax: +852-2796-1286

Android is a trademark of Google LLC.

Linux® is the registered trademark of Linus Torvalds in the U.S. and other countries.

macOS is a trademark of Apple Inc., registered in the U.S. and other countries.

Microsoft® and Windows® are either registered trademarks or trademarks of the Microsoft Corporation in the United States and/or other countries.



[www.acs.com.hk](http://www.acs.com.hk)

[info@acs.com.hk](mailto:info@acs.com.hk)