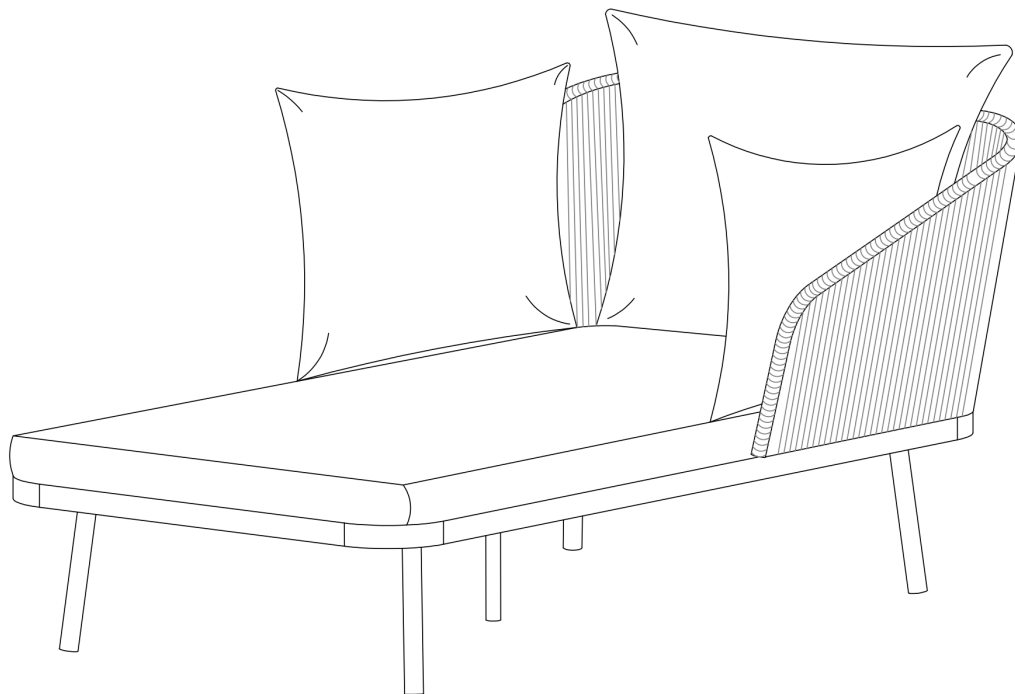

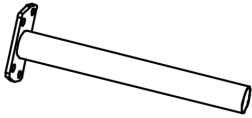





Samsø Luxury Sun Lounger

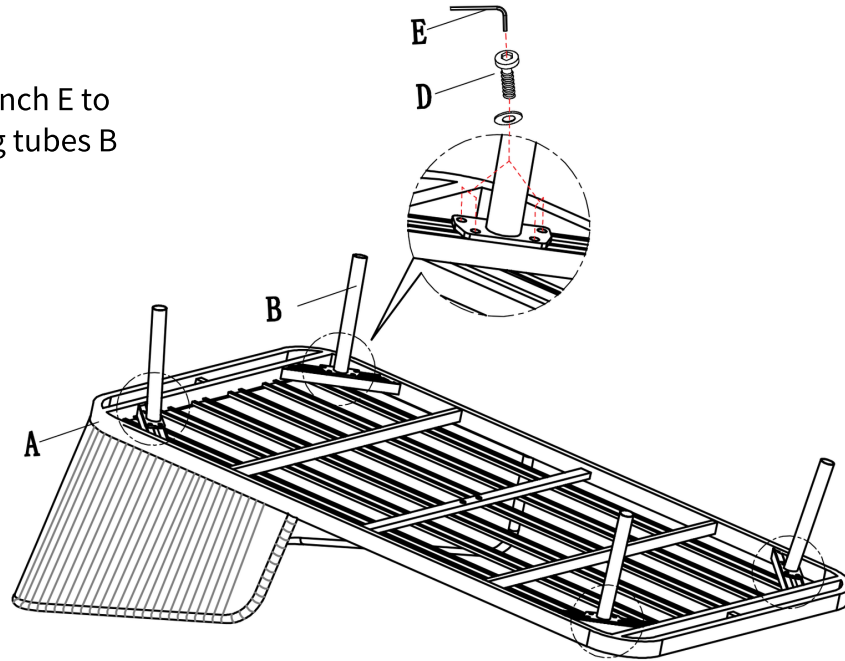
ASSEMBLY INSTRUCTION



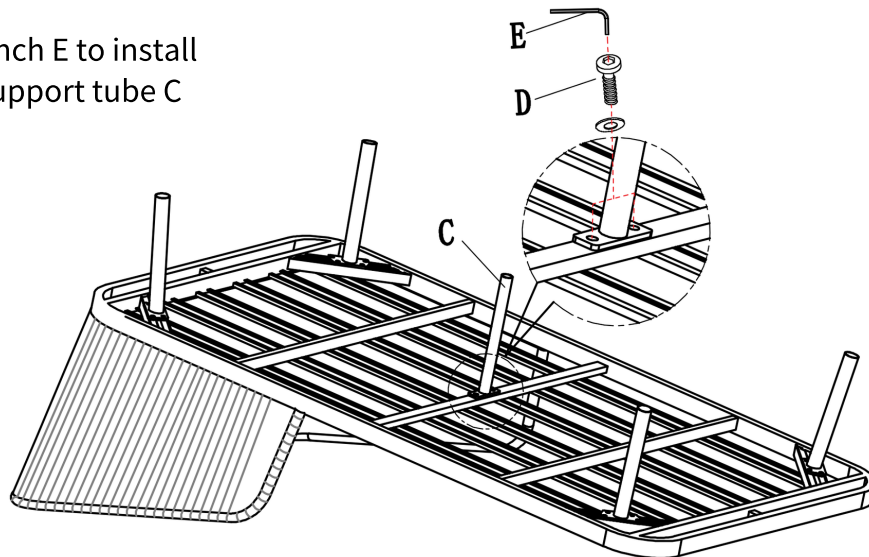
PART LIST

				
<p>AX1PC</p>	<p>BX4PCS</p>	<p>CX1PC</p>	<p>DX18PCS</p>	<p>EX1PC</p>

STEP 1
Use a hex wrench E to install four leg tubes B



STEP 2
Use hex wrench E to install the center support tube C



STEP 3
Ensure the screws are tightened, and the installation is complete

