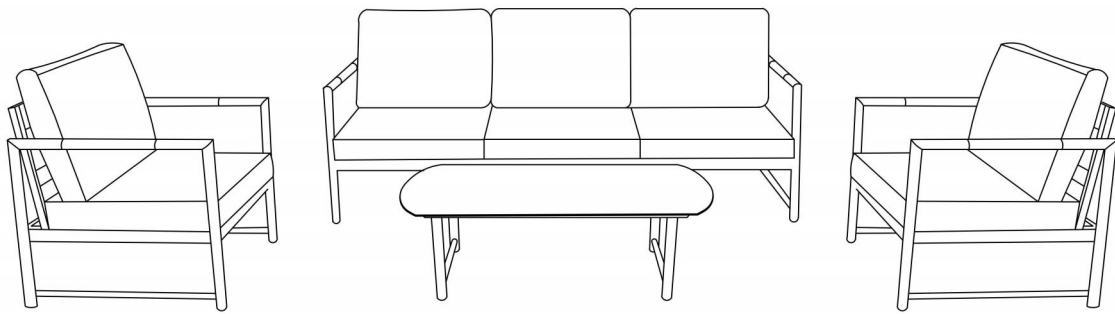

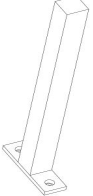



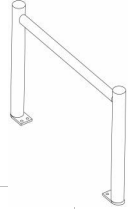

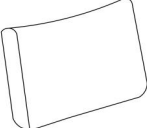



Faro Sofa Set Charcoal

ASSEMBLY INSTRUCTION



PART LIST

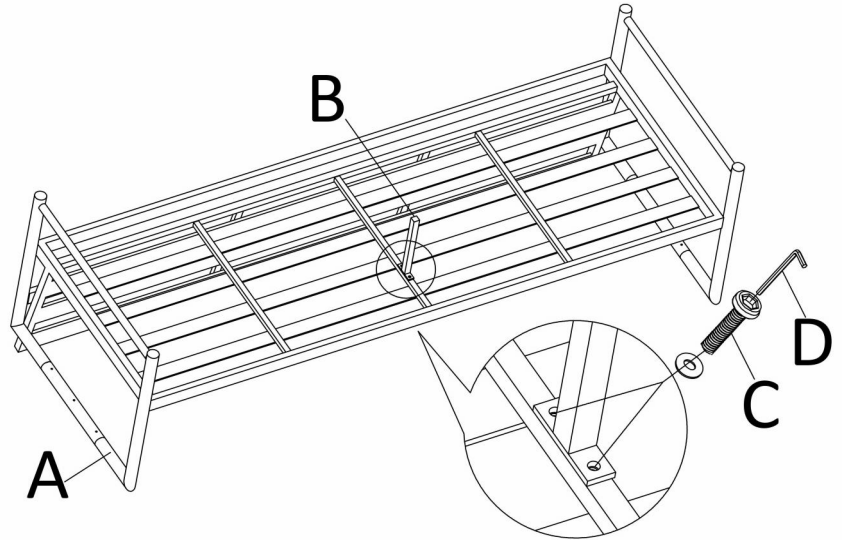
								
AX1PC	BX1PC	CX10PCS	DX1PC	EX1PC	FX2PC	GX2PC	HX5PC	IX5PC

ASSEMBLE STEPS

3- seat Sofa

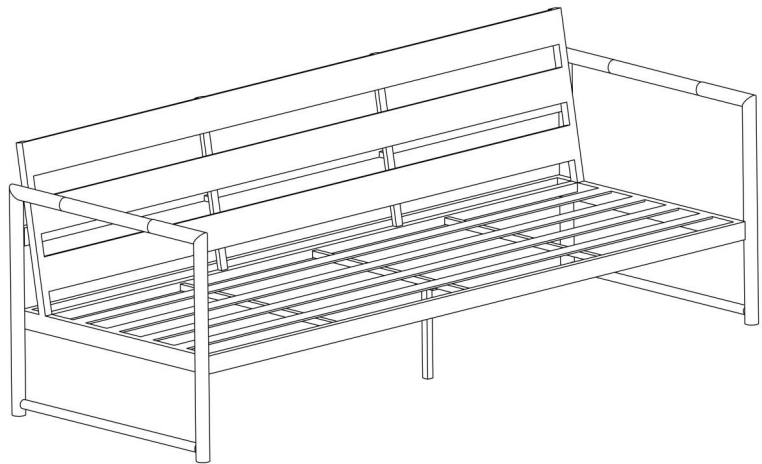
STEP 1

Use a hex wrench D to install support leg tube B



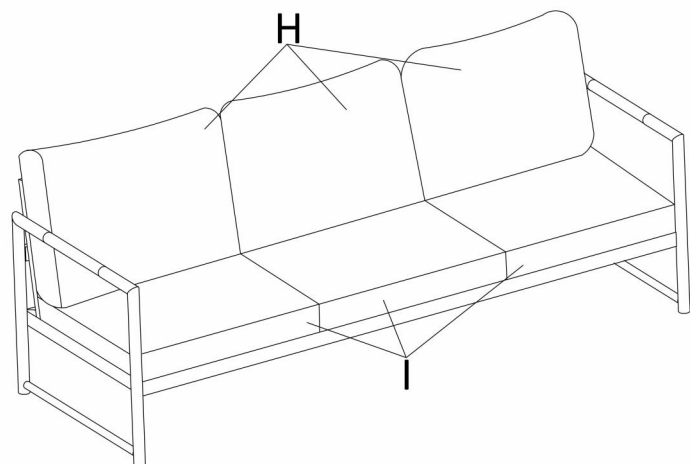
STEP 2

Ensure the screws are tightened

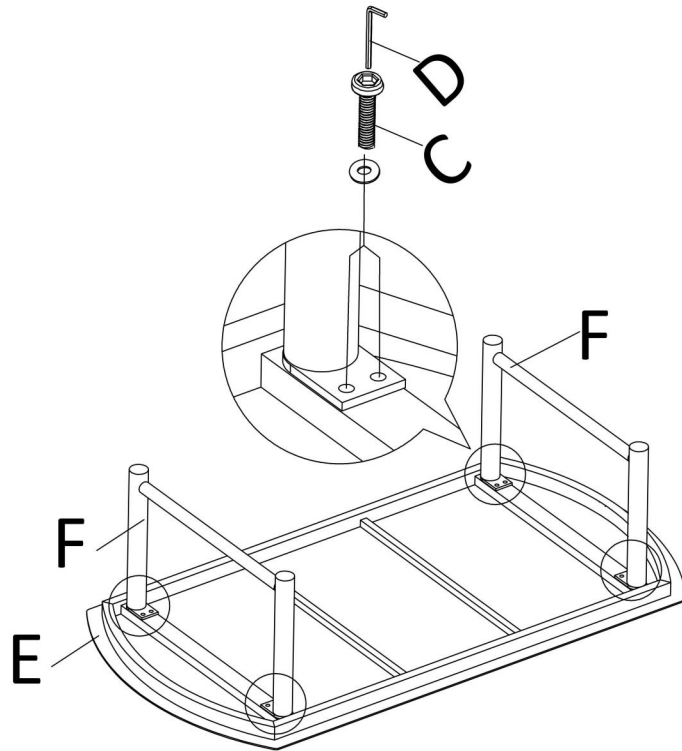


STEP 3

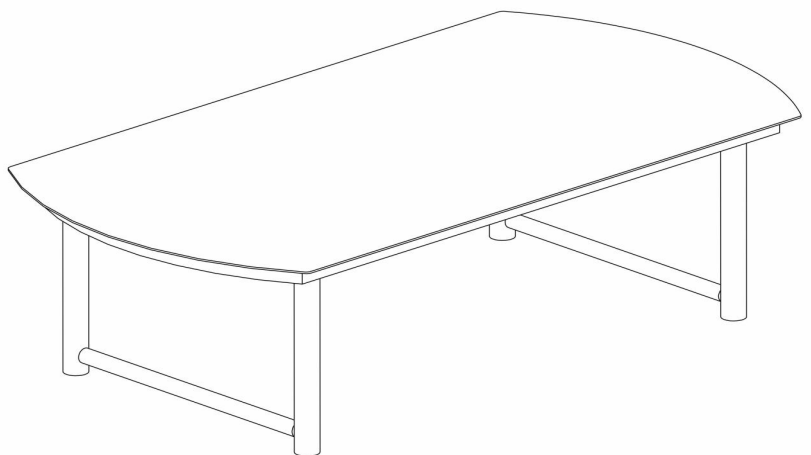
Put seat cushions I and back cushions H onto the sofa and the assembly is completed



STEP 1
Use a hex wrench D to
install two leg tubes F



STEP 2
Ensure the screws are tightened
and the assembly is complete



Single Sofa

STEP 1

Put the seat cushion I and back cushion H on to the sofa, and the assembly is completed

