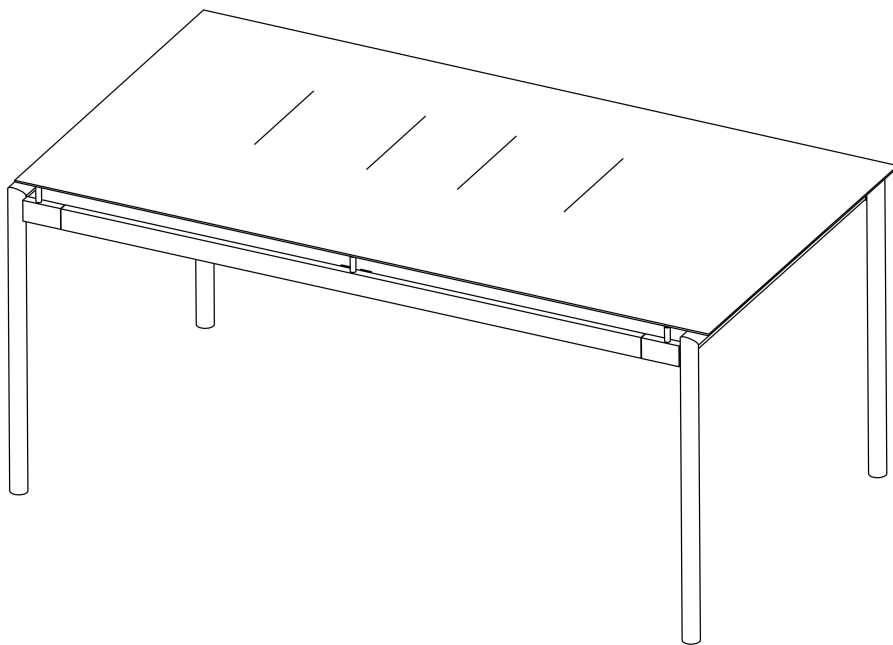


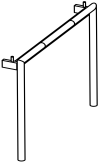

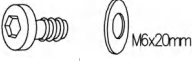

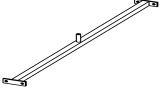
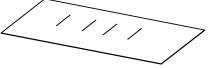
# Faro 6-seater Dining Set White

## ASSEMBLY INSTRUCTION

### Dining Table

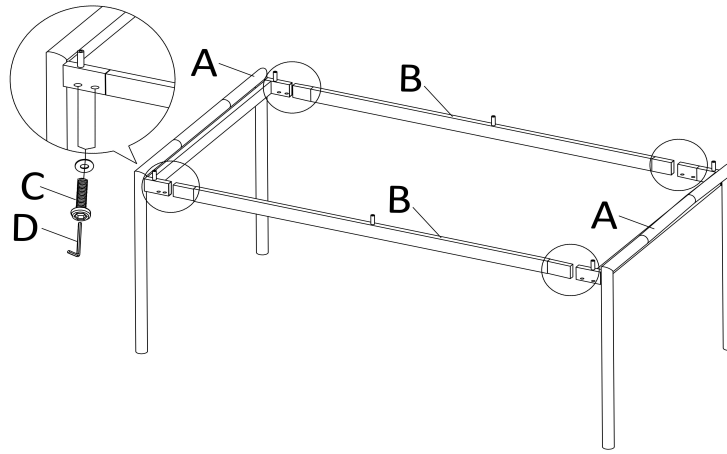


## PART LIST

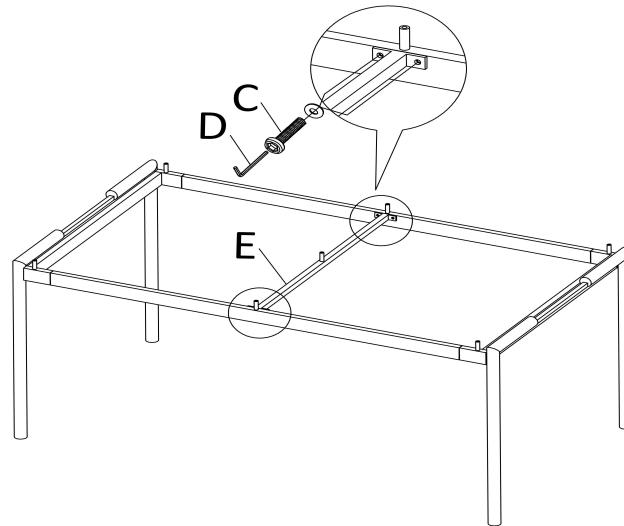
					
<p>AX2PC</p>	<p>BX2PC</p>	<p>CX12PCS</p>	<p>DX1PC</p>	<p>EX1PC</p>	<p>FX1PC</p>

ASSEMBLE STEPS

STEP 1  
Use a hex wrench D to connect part A and part B



STEP 2  
Use hex wrench D and to connect support tube E to the frame



STEP 3  
Put table top F onto the frame. Ensure the screws are tightened and the assembly is completed

