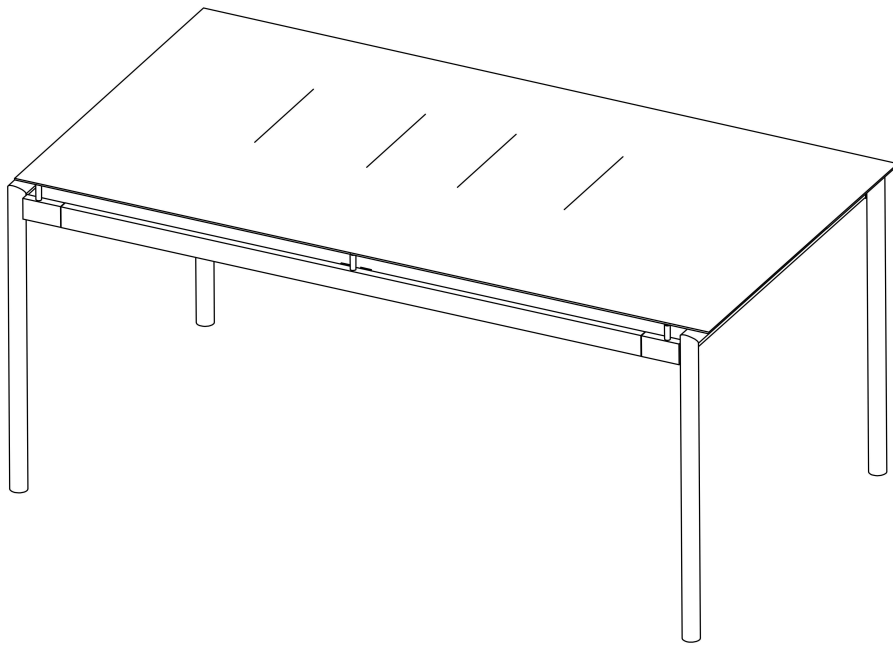


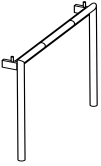

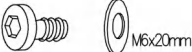

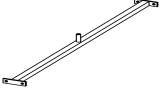
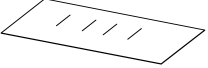
Faro 6-seater Dining Set Charcoal

ASSEMBLY INSTRUCTION

Dining Table

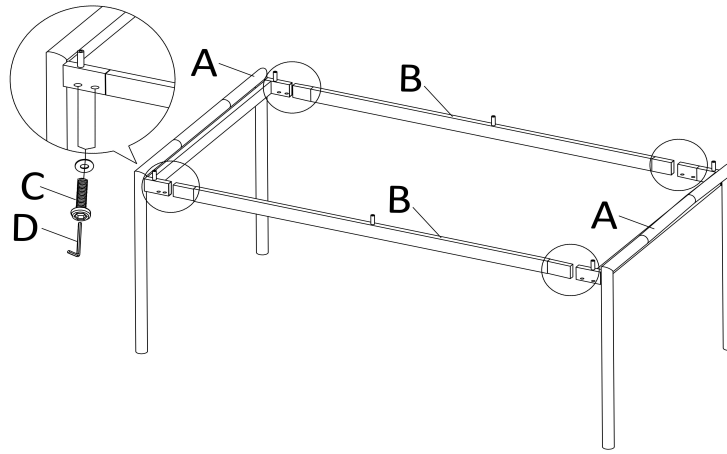


PART LIST

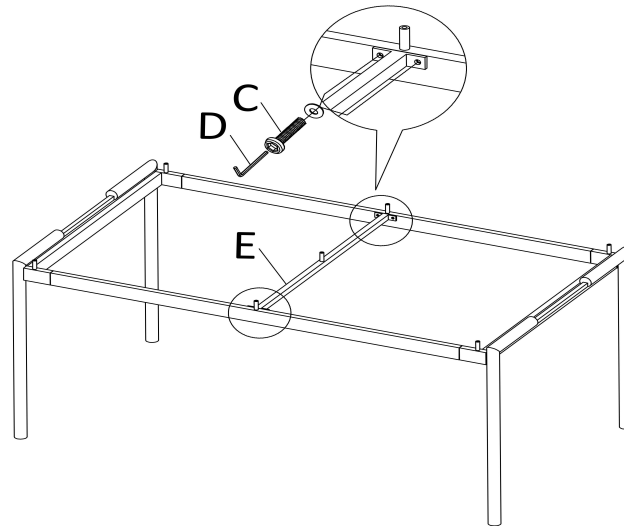
		 <small>M6x20mm</small>			
<p>AX2PC</p>	<p>BX2PC</p>	<p>CX12PCS</p>	<p>DX1PC</p>	<p>EX1PC</p>	<p>FX1PC</p>

ASSEMBLE STEPS

STEP 1
Use a hex wrench D to connect part A and part B



STEP 2
Use hex wrench D and to connect support tube E to the frame



STEP 3
Put table top F onto the frame. Ensure the screws are tightened and the assembly is completed

