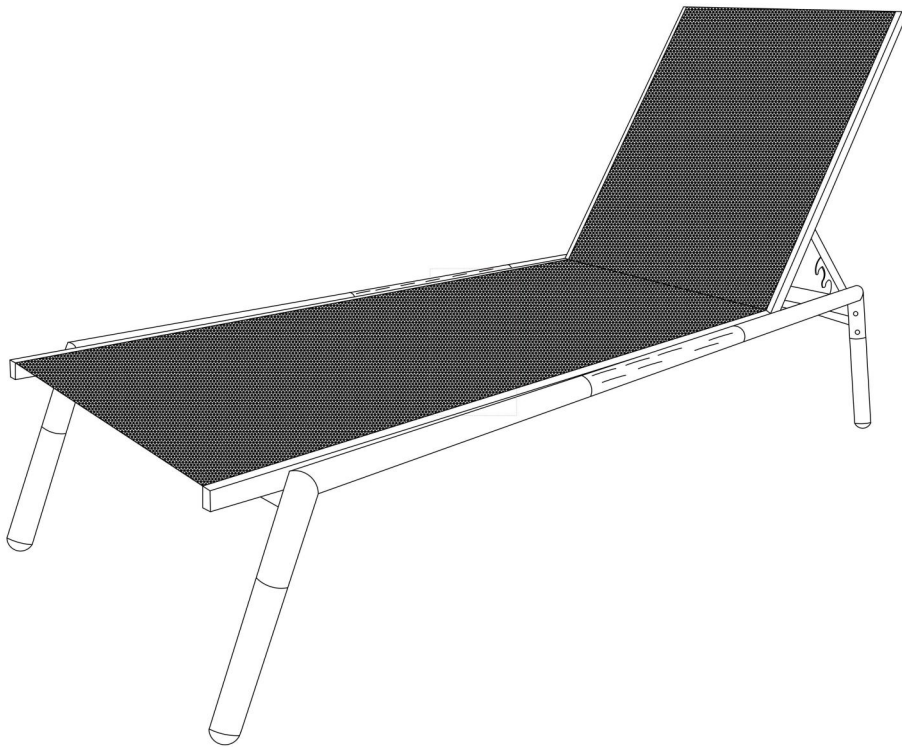

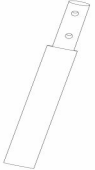







Faro Sun Lounger White

ASSEMBLY INSTRUCTION



PART LIST

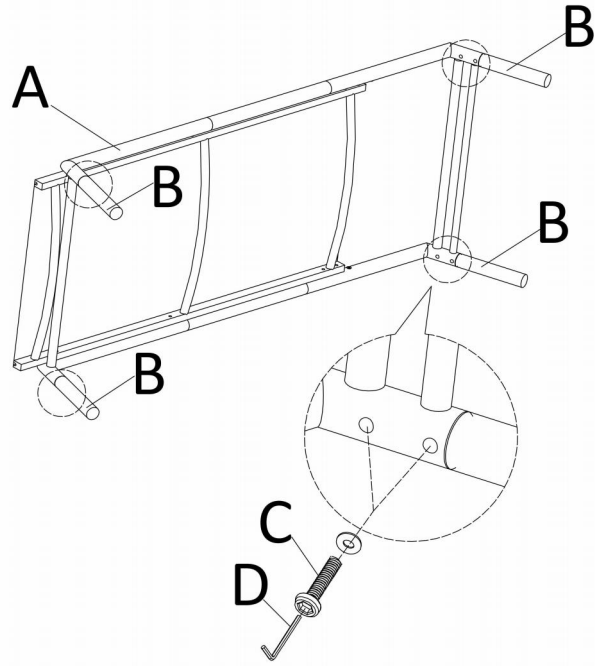
| | | | | | | |
|--|---|---|---|--|---|---|
|  |  |  |  |  |  |  |
| <p>AX1PC</p> | <p>BX4PC</p> | <p>CX8PCS</p> | <p>DX1PC</p> | <p>C1X2PCS</p> | <p>EX1PC</p> | <p>FX2PC</p> |

ASSEMBLE STEPS

Lying in bed

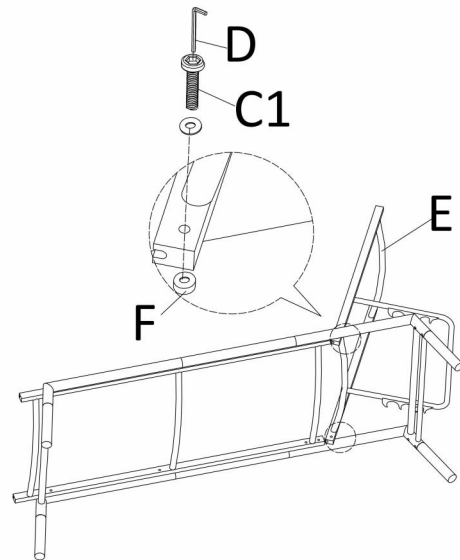
STEP 1

Use a hex wrench D to install leg tube B



STEP 2

Use a hex wrench D to install back rest with C1 & F



STEP 3

Ensure all screws are tighten and the assembly is completed

