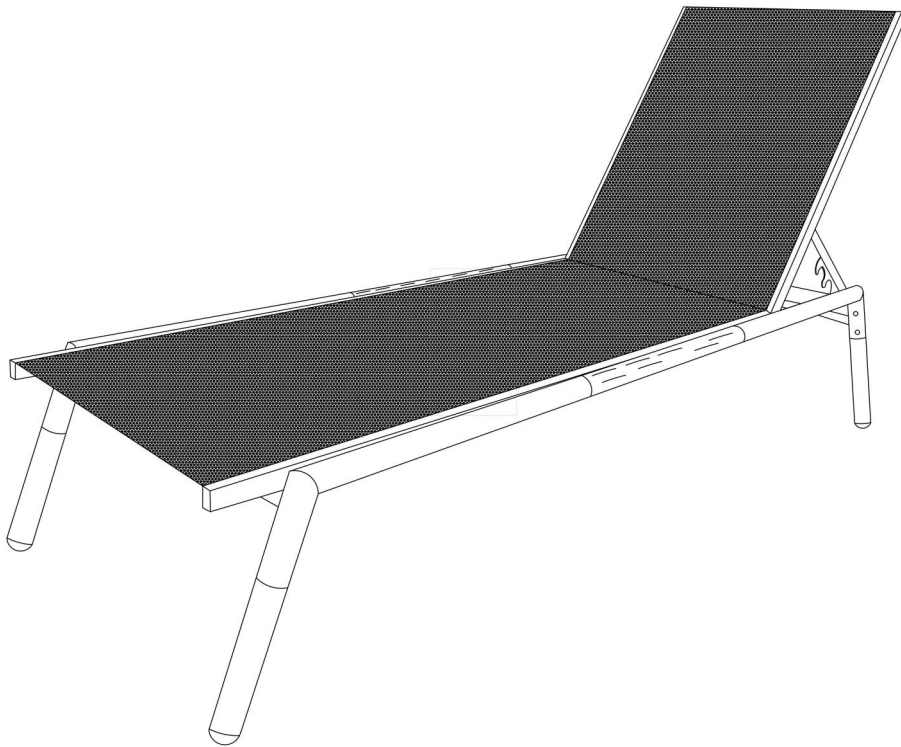

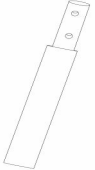







Faro Sun Lounger Charcoal

ASSEMBLY INSTRUCTION



PART LIST

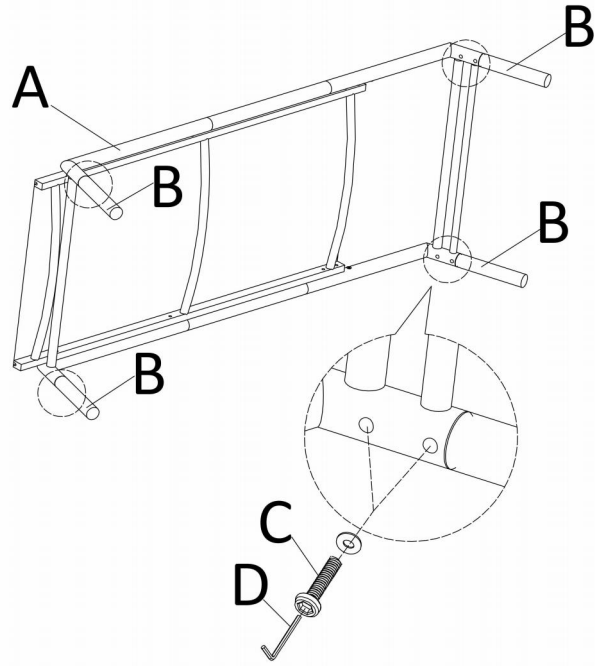
						
<p>AX1PC</p>	<p>BX4PC</p>	<p>CX8PCS</p>	<p>DX1PC</p>	<p>C1X2PCS</p>	<p>EX1PC</p>	<p>FX2PC</p>

ASSEMBLE STEPS

Lying in bed

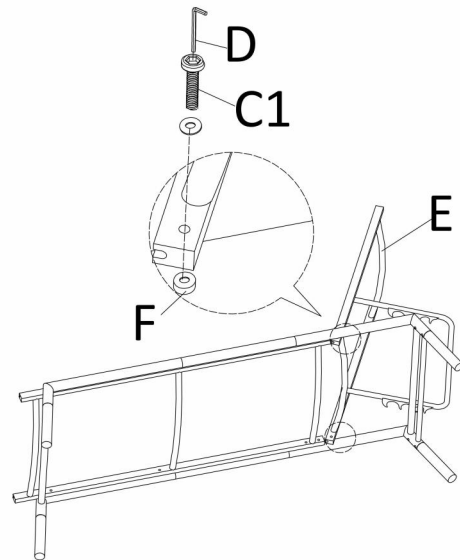
STEP 1

Use a hex wrench D to install leg tube B



STEP 2

Use a hex wrench D to install back rest with C1 & F



STEP 3

Ensure all screws are tighten and the assembly is completed

