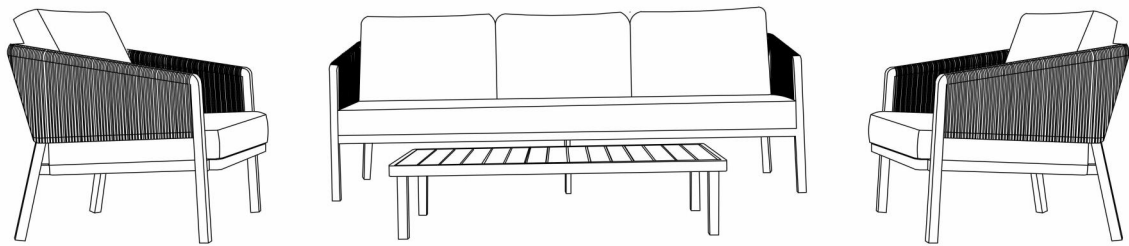






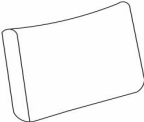




Anholt Sofa Set

ASSEMBLY INSTRUCTION



PART LIST

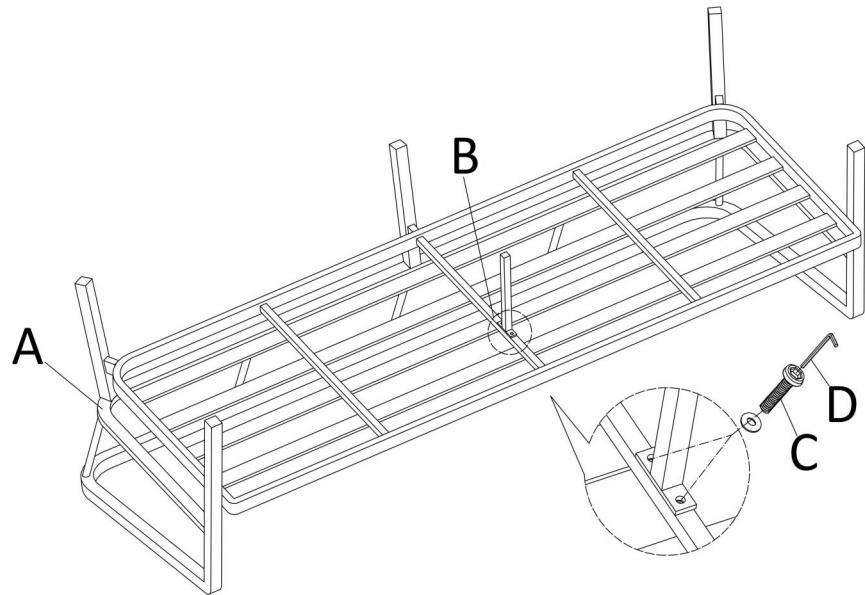
								
AX1PC	BX1PC	CX2PCS	DX1PC	EX1PC	FX3PC	GX2PC	HX2PC	IX2PC

ASSEMBLE STEPS

3- seat Sofa

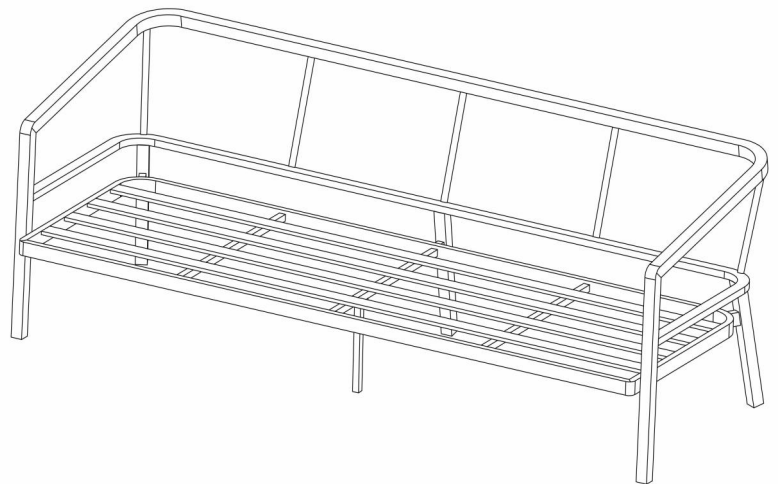
STEP 1

Use a hex wrench D to install support leg tube B



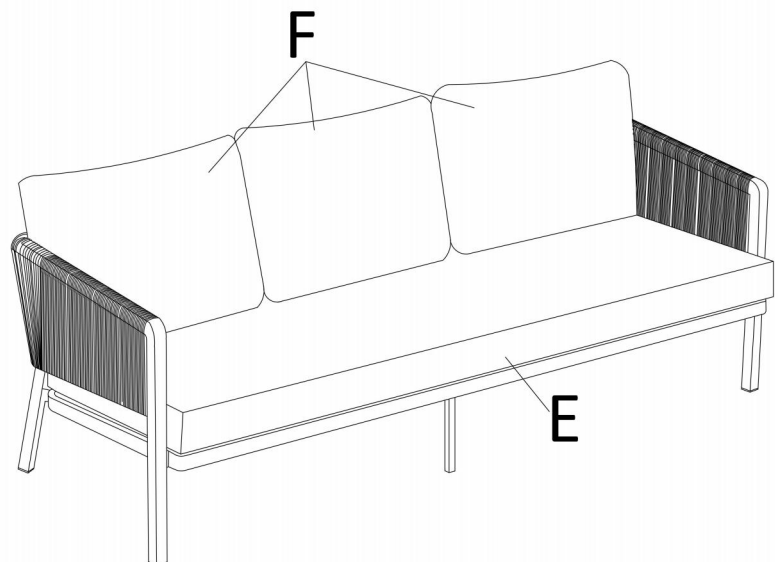
STEP 2

Ensure the screws are tighten



STEP 3

Put seat cushions E and back cushions F onto the sofa and the assembly is completed



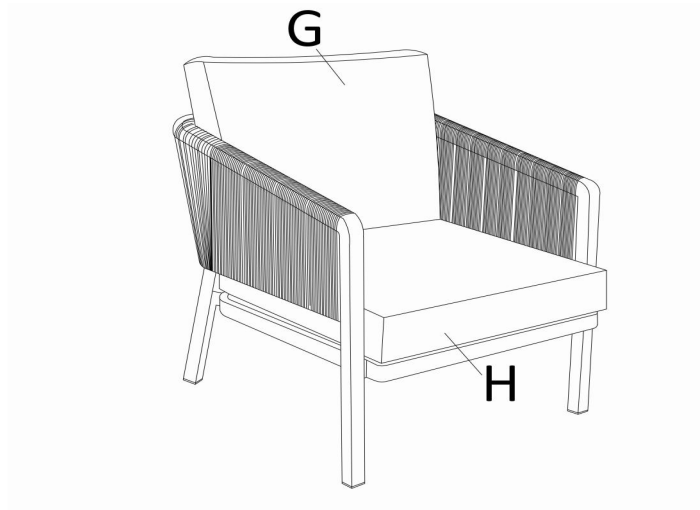
NEED TELEPHONIC ASSEMBLY ASSISTANCE OR REPLACEMENT PARTS?



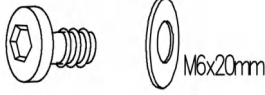

For prompt service please call +27 60 641 9905 or email us on info@monexteriors.com:
In the unlikelihood that a part is missing from packaging, kindly contact us before returning your unit to the retailer/online store you purchased it from.

Single Sofa

STEP 1

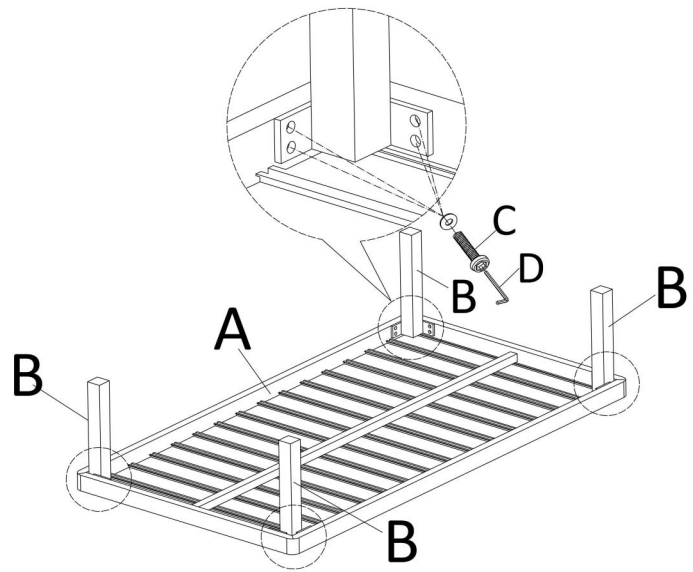
Put the seat cushion H and back cushion G on to the sofa, and the assembly is completed



			
AX1PC	BX4PC	CX16PCS	DX1PC

STEP 1

Use a hex wrench D to install four leg tubes B



STEP 2

Ensure the screws are tightened and the assembly is complete

