

KAMBROOK®



INSTRUCTION BOOKLET

Suits all KSB655 models

Important

Please retain your instruction book for future use.

In the event that you need some assistance with your Kambrook appliance, please contact our Customer Service Department on 1300 139 798 (Australia) or 0800 2738 45 (New Zealand). Alternatively, visit us on our website at www.kambrook.com.au or www.kambrook.co.nz

Contents

Kambrook Recommends Safety First	p4
Components	p7
Using Your Stick Mixer	p8
Blending & Whisking Guide	p10
Attachment Guide	p12
Care, Cleaning & Storage	p14
Troubleshooting	p16

Kambrook Recommends Safety First

IMPORTANT: READ ALL INSTRUCTIONS BEFORE USE AND SAVE FOR FUTURE REFERENCE

At Kambrook, we are very safety conscious. We design and manufacture consumer products with the safety of you, our valued customer, foremost in mind. In addition, we ask that you exercise a degree of care when using any electrical appliance and adhere to the following precautions.

Important Safeguards For Your Kambrook Stick Mixer

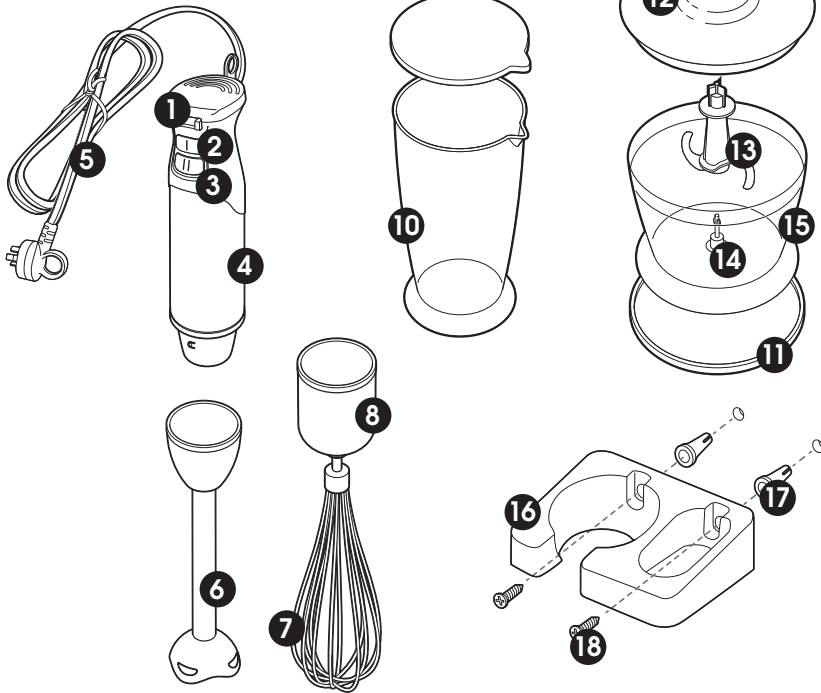
- Carefully read all instructions before operating the Kambrook stick mixer for the first time and save for future reference.
- Remove and safely discard any packaging material and promotional labels before using the stick mixer for the first time.
- To eliminate a choking hazard for young children, remove and safely discard the protective cover fitted to the power plug of this stick mixer.
- Do not place the stick mixer near the edge of a bench or table during operation. Ensure the surface is level, clean and free of water, flour, etc.
- Do not place the stick mixer on or near a hot gas or electric burner, or where it could touch a heated oven.
- If using the stick mixer as a hand blender to blend hot food in a saucepan, firstly remove the saucepan from the heat source and ensure the power cord and body of stick mixer are also kept away from any heat source.
- Handle the stick mixer with care – remember the blade is very sharp and should be kept out of reach of children.
- Always make sure the stick mixer is completely and properly assembled before operating.
- Ensure the stick mixer is turned OFF by releasing the 'ON' or Turbo Boost button on the motor body. Turn the power off at the power outlet and remove the power plug from the power outlet before attempting to attach or disassemble the blending wand.

- If using, always ensure the blending wand is securely fitted onto the motor body before operating.
- Do not use attachments other than those provided with the stick mixer .
- Do not attempt to operate the stick mixer by any method other than those described in this booklet.
- Do not use stick mixer with wet hands.
- Do not operate the stick mixer continuously for more than 1 minute. Allow the motor to rest for 1 minute between each use.
- Never mix dry, thick or heavy mixtures for more than 20 seconds. Stop the operation and stir the ingredients before continuing. Allow the motor to rest for 1 minute between each use.
- Ensure the stick mixer is turned OFF by releasing the 'ON' or Turbo Boost button on the motor body. Turn the power off at the power outlet and remove the power plug from the power outlet before attempting to move the stick mixer , when not in use, if left unattended and before disassembling, cleaning or storing.
- Do not process hot or boiling liquids in the blending jug. Allow liquids to cool before placing into the blending jug. If food becomes lodged around the processing blade or in the blade guard, release the 'ON' or Turbo Boost button switch the power off at the power outlet and remove the power plug from the outlet. Use a spatula to dislodge the food. Do not use fingers as the blades are sharp.
- Keep fingers, hands, knives and other utensils away from the moving blade.
- To protect against electric shock, do not immerse the motor body, cord or power plug in water or any other liquid.
- Do not remove the stick mixer from ingredients during operation. Ensure the stick mixer is OFF and the blade has stopped turning before removing to avoid contact with moving blade.
- Do not leave the stick mixer unattended when in use.
- Do not allow children to use the Stick mixer without supervision.
- Do not place any parts of the Stick mixer in a microwave oven.
- Do not wash the motor body of the stick mixer .
- Only the detachable blending wand and blending jug are dishwasher safe.
- Do not place anything on top of the stick mixer when the lid is on, when in use and when stored.
- Keep the stick mixer clean. Follow the Care, Cleaning and Storage instructions provided in this book.

Important Safeguards For All Electrical Appliances

- Fully unwind the power cord before use.
- Connect only to 230V or 240V power outlet.
- Do not let the power cord hang over the edge of a bench or table, touch hot surfaces or become knotted.
- To protect against electric shock, do not immerse the power cord, power plug or appliance in water or any other liquid, unless it is recommended in the cleaning instructions.
- The appliance is not intended for use by persons (including children) with reduced physical, sensory or mental capabilities, or lack of experience and knowledge, unless they have been given supervision or instruction concerning use of the appliance, by a person responsible for their safety.
- Children should be supervised to ensure that they do not play with the appliance.
- It is recommended to inspect the appliance regularly. Do not use the appliance if the power supply cord, plug, connector or appliance becomes damaged in anyway. Return the entire appliance to the nearest authorised Kambrook Service Centre for examination and/or repair.
- Any maintenance other than cleaning should be performed at an authorised Kambrook Service Centre.
- This appliance is for household use only. Do not use this appliance for other than its intended use. Do not use in moving vehicles or on boats. Do not use outdoors. **Misuse may cause injury.**
- The installation of a residual current device (safety switch) is recommended to provide additional safety protection when using electrical appliances. It is advisable that a safety switch with a rated residual operating current not exceeding 30mA be installed in the electrical circuit supplying the appliance. See your electrician for professional advice.
- During electrical storms, the appliance should be disconnected from the power source at the wall socket to prevent any electrical surges that may arise during the storm and which may inadvertently cause damage to the appliance and its electronic componentry.
- Always turn the appliance to the OFF position, switch off at the power outlet and unplug at the power outlet when the appliance is not in use.
- Before cleaning, always turn the appliance to the OFF position, switch off at the power outlet, unplug at the power outlet and remove the power cord, if detachable, from the appliance and allow all parts to cool.
- Do not place this appliance on or near a heat source, such as hot plate, oven or heaters.
- Position the appliance at a minimum distance of 20cm away from walls, curtains and other heat or steam sensitive materials and provide adequate space above and on all sides for air circulation.

Components



1. Variable speed control
Adjust the speed from Low to High when using the ON button.
2. ON button
Press to start; release to stop.
3. Turbo Boost button
Press the Turbo Boost button to take the stick mixer to full speed for an instant boost of power.
4. Stainless steel motor body with soft-touch grip
5. Power cord and plug
6. Blending wand
For general mixing and blending tasks.
7. Whisk attachment
Maximise aeration for light ingredients like egg whites.
8. Whisk gearbox
9. Dual-purpose blending jug storage lid and anti-slip mat with surface protection.

10. 700ml Blending jug
For blending and measuring ingredients.
11. Dual-purpose chopping bowl storage lid and anti-slip mat with surface protection.
Can be used to cover the chopping bowl or as an anti-slip surface protector to be placed on the bottom of bowl.
12. Chopping bowl cover
13. Stainless steel S-blade for chopping
14. Spindle
15. Chopping bowl
16. Wall mount for storage
17. Anchors
18. Screws

Using Your Stick Mixer

BEFORE FIRST USE

Before using your stick mixer for the first time, remove packaging material and promotional labels. Ensure that you have all parts and accessories listed in the components list before discarding the packaging.

WARNING

Be careful when handling the blending wand and S-blade as they are extremely sharp.

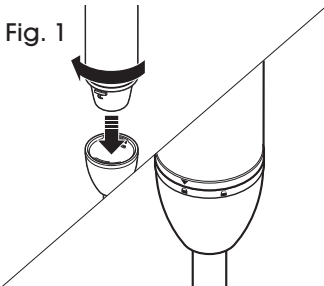
- Wash the blending wand, chopping bowl, processing lid and all attachments in warm soapy water with a soft cloth. Rinse and dry thoroughly.

WARNING

Do not immerse the motor unit, cord, or plug in water or any other liquid.

Attaching the Blending Wand & Whisk to the Motor Body

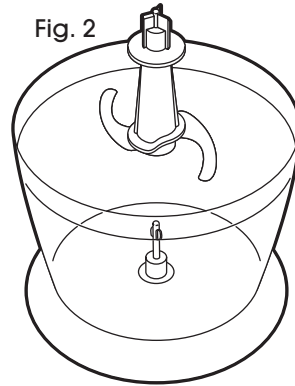
1. Align the arrow graphics on the motor body with the UNLOCK graphics on either the blending wand or whisk gearbox (with whisk attached). Push and turn the arrow towards the LOCK graphics to lock into place. (Fig. 1)



Assembling the Chopping Bowl to the Motor Body

1. Align the notches under the S-blade, with the tabs on the spindle. Push the S-blade down over the spindle and turn the S-blade clockwise to lock into place. (Fig. 2) Add the ingredients into the chopping bowl, ensuring that they do not exceed the 'MAX' line.

Fig. 2



NOTE

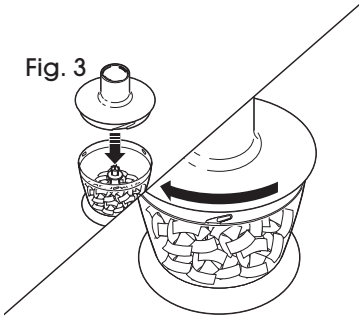
The S-blade is locked into place when you are unable to simply lift it off the spindle.

WARNING

The blending blade is extremely sharp. Handle with care and only lift from the shaft.

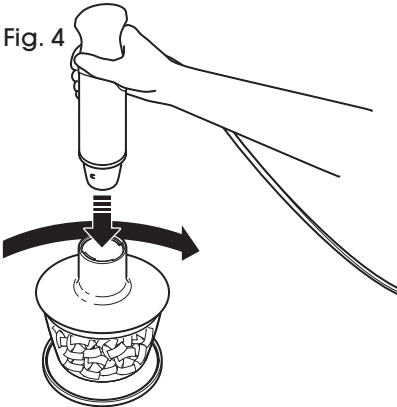
2. Align the tabs on the processing bowl cover with the grooves on the chopping bowl. Push the processing bowl cover down the groove in a clockwise motion until it clicks into place. The processing bowl cover is now assembled to the processing bowl. (Fig. 3)

Fig. 3



3. Once the S-blade and cover are in place, align the arrow graphics on the motor body with the UNLOCK graphics on the processing bowl lid. Push and turn the arrow towards the LOCK graphics to lock into place. (Fig. 4)

Fig. 4



Using Your Stick Mixer

Blending & Whisking

1. Fill the blending jug with the ingredients, ensuring that they do not exceed the highest line indicated on the blending jug.

NOTE

Do not use frozen ingredients.

NOTE

Do not use non-food items.



WARNING

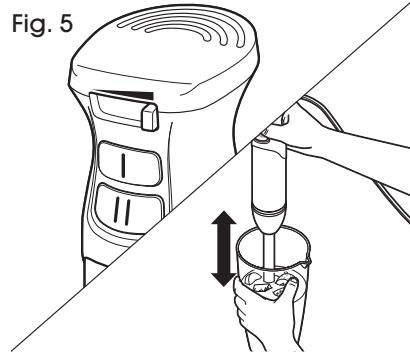
Do not process hot or boiling liquids in the blending jug. Allow liquids to cool before placing into the blending jug.

2. Attach the blending wand or whisk to the motor body as per the instructions in this book.
3. Insert the power plug into a 230V or 240V power outlet. Switch the power on at the power outlet.
4. Slide the variable speed control from Low to High, depending on the speed required for the task. (Fig. 5)

NOTE

The variable speed can be controlled when using the ON button only. When using Turbo Boost, the stick mixer will operate at high speed.

Fig. 5



5. Insert the stick mixer in the filled blending jug or container being used, then press the ON or Turbo Boost button to start blending/whisking.

NOTE

Do not immerse the motor body past the top metal portion of each attachment.

6. When blending/whisking is complete, release the ON or Turbo Boost button to stop.
7. Turn off and unplug from the power outlet before removing the stick mixer from the blending jug or container.

Food Processing

1. Assemble the S-blade into the chopping bowl as per the instructions in this book.
2. Fill the chopping bowl with the ingredients, ensuring that they do not exceed the 'MAX' line found on the chopping bowl. Assemble the chopping bowl cover onto the chopping bowl.

NOTE

Do not use frozen ingredients.

NOTE

Do not use non-food items.

3. Attach the motor body to the chopping bowl lid as per the instructions in the book.
4. Insert the power plug into a 230V or 240V power outlet. Switch the power on at the power outlet.
5. Slide the variable speed control from Low to High, depending on the speed required for the task.
6. Press the ON or Turbo Boost button to start processing.
7. Once finished, release the ON or Turbo Boost button to stop processing.
8. Turn off and unplug from the power outlet.

Attachment Guide

Attachment	Speed	Food
Blending Wand	LOW	Soups*
Blending Wand	HIGH	Mayonnaise or gravy
Blending Wand	TURBO BOOST	Milkshakes and smoothies
S-blade Chopper	LOW	Chopping vegetables for soups, salads etc.
S-blade Chopper	HIGH/TURBO BOOST	Puree to make pesto or salsa
Whisk	LOW	Cake mixes
Whisk	HIGH	Whipping cream
Whisk	HIGH/TURBO BOOST	Aerate eggs to create meringues and pavlovas

*Do not blend hot soup or liquid in the blending jug

Hints & Tips

- This stick mixer is not designed for use over a heat source.
- This stick mixer is not intended to chop ice. Add ice to beverage after blending.
- To use the stick mixer in a saucepan, be sure to remove the pan from the stove.
- To puree foods, liquid is needed. Add cooking liquid, broth, juice, milk, or cream until desired consistency is reached.
- For thorough blending, move stick blender up and down in mixture until smooth.
- To achieve best blending results and to reduce splattering (especially hot foods or liquids), use deep, tall containers.
- The plastic lid of the measuring jar may be flipped upside down and placed underneath the base of the cup or chopping bowl in order to provide a more stable surface while blending
- We recommend chopping only 200g meat (beef etc.) at a time in the food chopper.
- Meat should be cut into 5cm cube pieces before processing.
- We recommend blending only 100g bananas and 500g milk at a time in the blending jug.
- Maximum operation duration is 30 seconds.

Care, Cleaning & Storage

Before cleaning, ensure to turn the stick mixer off at the power outlet and remove the plug from the outlet.

Allow the stick mixer and all attachment to cool completely before disassembling and cleaning.

1. Remove the attachments, blending jug, chopping bowl cover and lids and wash in hot soapy water. Wipe the motor body with a damp cloth. Dry with a lint free cloth.

NOTE

Do not wash or soak the motor body in water or any other liquid. Do not allow water or any other liquid to enter the gear system as damage may result.

NOTE

Only the detachable blending wand and blending jug are dishwasher safe. Do not place any other part of the stick mixer or motor body in the dishwasher.

2. Dry all parts thoroughly before storing.

Storage

Before storing, turn the power off at the power outlet and remove the power plug from the outlet. Ensure all parts of the stick mixer and accessories are clean and dry.

Place the S-blade inside the chopping bowl and close using the chopping bowl cover. Keep the dual-purpose chopping bowl storage lid and anti-slip mat under the base of the chopping bowl. Cover the blending jug with the dual-purpose blending jug storage lid.

Store all accessories, including the whisk attachment, blending jug, chopping bowl, cover and lids in a cool, dry place or store on the wall mount provided.

Installing the Wall Mount

- Attach the wall mount to the wall using the included anchors and screws. (Fig. 6) The wall mount is provided as an easy storage solution for the stick blender, blending wand, whisk or power cord and plug.

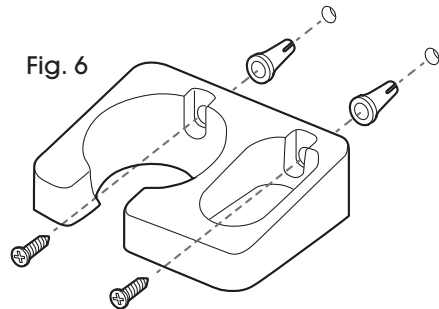
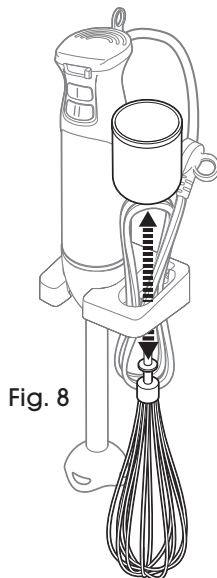
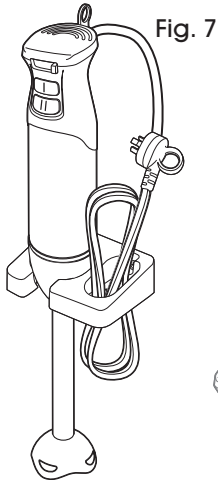


Fig. 6

There are 2 ways to use the wall mount, depending on preference.

- Attach the blending wand to the motor body to store in the large hole of the wall mount. Gather the power cord and plug and place into the small hole. (Fig. 7)
- Attach the blending wand to the motor body to store in the large hole of the wall mount. Gently pull the whisk off the whisk gear box and reconnect once they are on either end of the small hole on the wall mount. Wrap the power cord and plug and place into the small hole. (Fig. 8)



Troubleshooting Guide

Problem	Possible Issue	Solution
The motor works very slowly	Too many ingredients in the bowl.	Remove some ingredients and restart.
	The speed dial is set too low.	Set the speed dial to higher speed.
The motor does not start.	The power plug is not plugged into the wall outlet, or the circuit breaker is tripped.	Plug into outlet and check function of outlet.
	The motor is damaged.	Call our customer service department.
The beaters stop rotating.	This mixer has a safety feature when it detects a heavy load (no rotation).	To reset, turn control knob to (OFF).
	Too many ingredients in the bowl.	Remove some ingredients and restart.

Notes

Notes

Notes

Kambrook - Australia

Ground Floor, Suite 2, 170-180 Bourke Rd
Alexandria NSW 2015, Australia

Locked Bag 2000
Botany NSW 1455
Customer Service Line 1300 139 798
Customer Service Fax 1800 621 337

www.kambrook.com.au

Kambrook - New Zealand

Private Bag 94411
Botany, Manukau
Auckland 2163
New Zealand
Customer Service Line/
Spare Parts 0800 273 845
Customer Service Fax 0800 288 513

www.kambrook.co.nz

KAMBROOK Due to continual improvement in design or otherwise, the product you purchase may differ slightly from the illustration in this book. Issue A20