

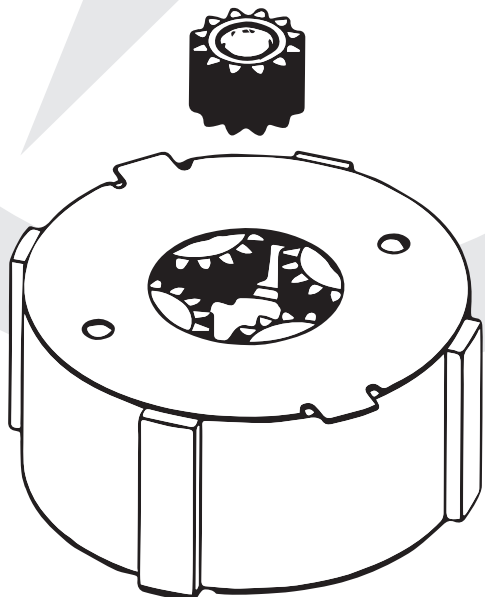
GEARBOX REBUILD KIT

INSTRUCTION SHEET

- INSERT PLATE (1) INTO EXISTING GEARBOX HOUSING (NOT INCLUDED) MAKING SURE TO ALIGN TABS TO SLOTTED FEATURE
- INSERT INTERNAL RING GEAR (2) INTO HOUSING
- APPLY 10g OF GREASE
- INSERT FIRST PLANETARY GEAR SET * (3) INTO RING GEAR (2)
- APPLY 10g OF GREASE
- INSERT SECOND PLANETARY GEAR SET * (4) INTO RING GEAR (2), MAKING SURE TO ALIGN SUN GEAR WITH PLANETARY GEARS OF (3)
- APPLY 10g OF GREASE (ECO-Li 91)
- INSERT PLATE (6) TO COVER. AGAIN, ALIGNING TABS
- (OPTIONAL) PULL EXISTING PINION GEAR FROM MOTOR (WILL NEED PINION PULLER) AND REPLACE WITH NEW PINION (5)
- APPLY THREADLOCKER (NOT INCLUDED) TO 4 SCREWS AND INSTALL 90 DEGREE GEARBOX ONTO PLANETARY
- APPLY THREADLOCKER (NOT INCLUDED) TO 4 SCREWS AND INSTALL PLANETARY SET ON MOTOR

SEE INSTRUCTIONAL VIDEO TO INSTALL MOTOR INTO FRAME

*YOU CAN IDENTIFY PLANETARY GEAR SETS (3) AND (4) BY;
 (3) HAS SLIGHTLY THICKER GEARS
 (4) HAS A SUN GEAR ON BACK SIDE
 (3) HAS SLOTTED HOUSING FOR 90 DEGREE ON BACKSIDE



GEARBOX HOUSING (NOT INCLUDED)

