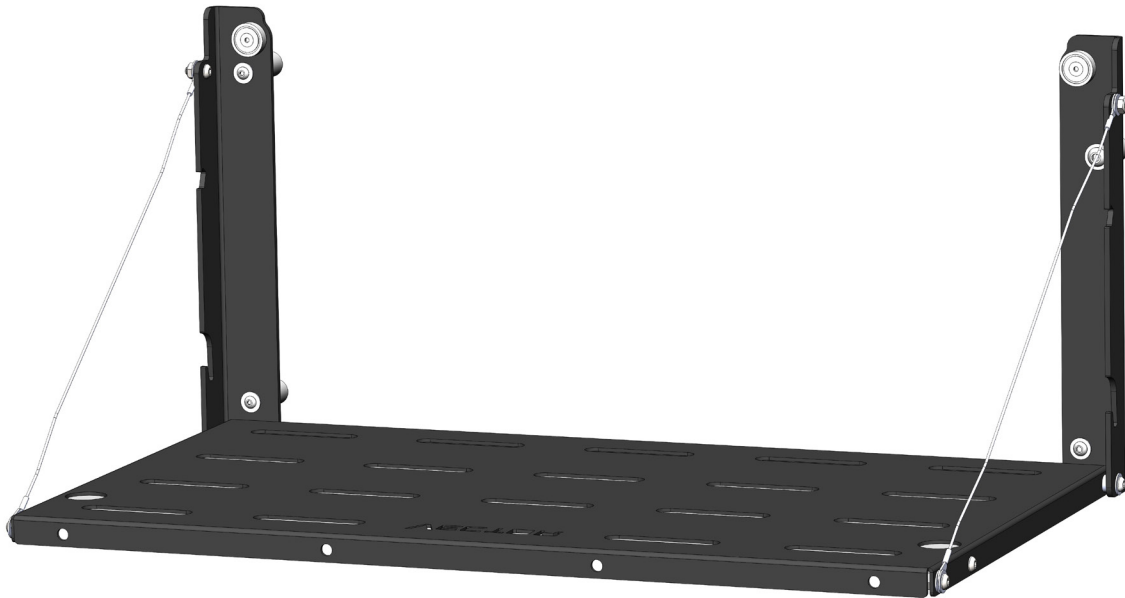


DEFENDER TAIL GATE TABLE INSTALLATION INSTRUCTIONS



PARTS LIST	QTY	REQUIRED TOOLS
Aluminum Table Surface	1	5/32" Hex L-Key OR equivalent
Mounting Bracket w/ magnets	2	7/16" Open End Wrench
Stainless Coated Lanyard Cable	2	T30 torx bit
SS 1/4" Nylon Lock Nut	6	
SS 1/4" Washers	14	
SS 1/4" -20 x 3/4" Button Head Screw	4	
SS 1/4" -20 x 7/8" Button Head Screw	2	
1/4" Plastic Spacer Bushing (white)	2	
M6 SS Torx Head Bolt	4	
Mounting Bushings (black)	4	

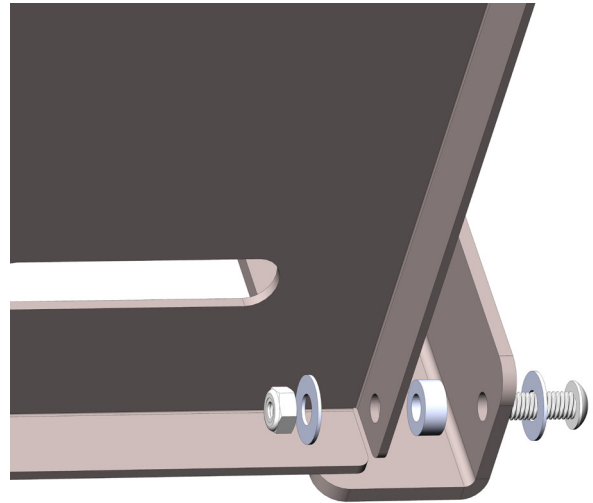
PLEASE READ BEFORE BEGINNING INSTALLATION

Prior to starting the installation of this product we suggest reading the entire assembly manual and watching the installation video. Several of the steps involved in installation of this product are fairly complex and reading through ahead of time will help you with a pain free installation.

This product must be installed by someone with a certain amount of mechanical aptitude. Vector OffRoad can not be held liable for damage caused to your vehicle due to poor or incomplete installation of this product. If you have any questions, are missing parts or need help locating a skilled installation shop in your area please contact us.

1. ATTACH THE TABLE TO THE BRACKETS

A. Use the 1/4" x 7/8" button head screws, the WHITE plastic bushings, 1/4" washers and the 1/4" lock nuts to attach the table to the brackets as shown. Keep the hardware loose at this time.

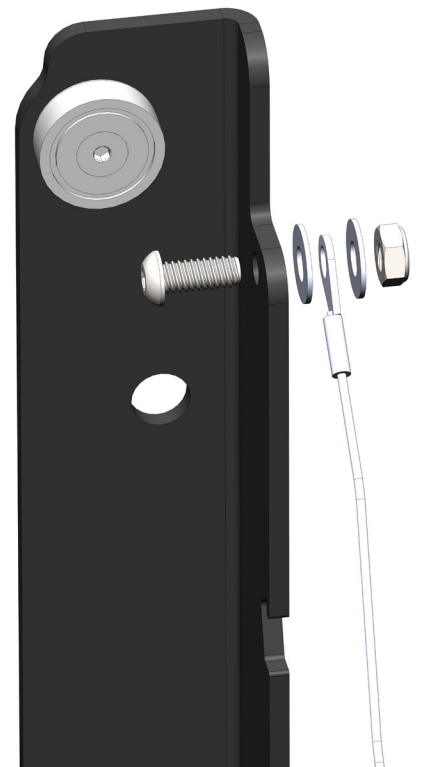
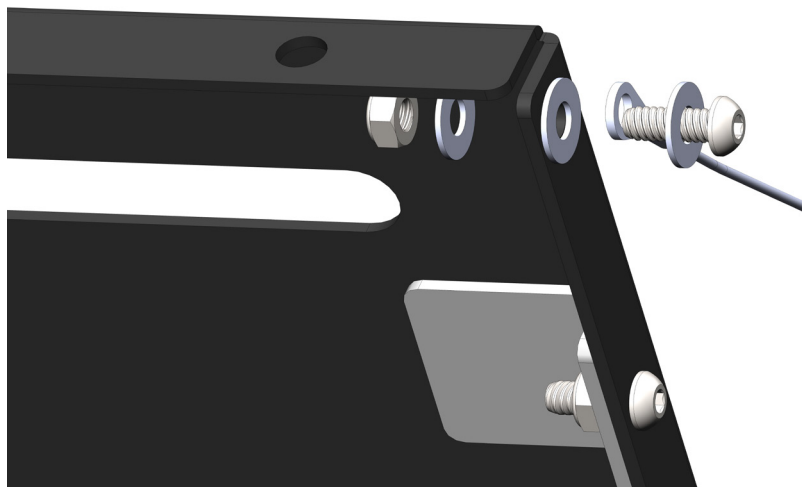


2. ATTACH CABLE LANYARDS TO TABLE AND BRACKETS

A. Use the 1/4" x 3/4" button head screws, 1/4" washers and the 1/4" lock nuts to attach the cable to both brackets as shown to the right. Keep the hardware loose at this time.

B. Attach the other end of the lanyard to the table hole as shown below using 1/4" x 3/4" button head screws, 1/4" washers and the 1/4" lock nuts. Keep the hardware loose.

C. Snug up all the hardware just enough so it doesn't rattle. You want the table to hinge easily and for the cables to freely rotate.



3. MOUNT THE TABLE

A. Remove the four factory torx bolts using a T30 torx tool (circled). The table will mount to those four locations.



B. Install the table using the provided longer torx bolts and the black plastic spacers. The spacers go in the four factory recesses where the factory torx bolts were removed. A second set of hands make this step easier. Snug up all hardware and the install is complete.

C. Be cautious not to catch the lanyards in the door latch mechanism when closing the tailgate.