

36" Dual Fuel Range



Made in Italy



** Optional Cooktop Surfaces

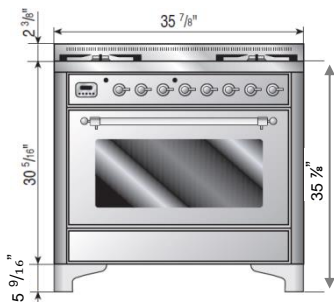
<p>6 burners</p>	<p>Multifunction oven</p> <p>UM-906-FDMP</p>
<p>Giddle Top</p>	<p>Multifunction oven</p> <p>UM-90-FDMP</p>

Stainless Steel
True White
Matte Graphite
Antique White
Gloss Black
Burgundy Red
Midnight Blue
Emerald Green

Hood, Backsplash and Warming Self are Optional

Handrail Optional
Scroll Legs: Optional
Tubular Legs: N/C Option

Optional Wrap Around Toe Kick



5 9/16"

35 7/8"

27 9/16"

35 7/8"

Cooktop Options

- BBQ Grill
- Fry Top Cover
- Chopping Board
- Steam Basins
- Bain Marie – SS Basin
- Cast Iron Steak Pan

Accents:

- Brass
- Chrome
- Oil Rubbed Bronze *



Specifications		
	Model Number <i>UM-90</i>	
General Features	Size	36"
	Type	Dual Fuel
	Digital Clock and Timer	Yes
	Electronic Ignition	Yes
	Wok Ring & Simmer Plate	Yes
	Control Knobs	Chrome, Brass, ORB *
	Colors	SS, Matte Graphite, Antique White, Burgundy, Midnight Blue, True White, Gloss Black, Emerald Green
	Full Size Warming Drawer	125° - 200°
	Liquid Propane (LP)	Conversion Available
	Power Requirements	120/208-240 Volt 60Hz. 30 Amp
Cook Top Features	Burners	4-6
	Dual Triple Ring Burners (1)	15,500 BTU **
	Triple Ring Burners (1)	15,500 BTU **
	Big Burner (2-3)	10,500 BTU **
	Small Burner (1)	7,000 BTU
	French Top	Not available
	Giddle	10,500 BTU Optional **
	Flame Failure Safety Device	Yes
Main Oven Features	Cast Iron Grates	Continuous
	Continuous Clean Panels	Optional
	Multi Function	8 Function
	Oven Capacity (Cu Ft.)	3.55
	Convection Bake	Yes
	Convection Broil	Yes
	Grill-Baking or Broiler	Yes
	Power Rating	3,700 Watts
	Oven Temperature Range	75° - 525°
	Preheat Indicator Lamp	Yes
Dimensions	Racks	2
	Proofing Mode	Yes
	Rotisserie	Yes
	Width (in)	35 7/8
	Height (in) w/o Backguard	35 7/8 - 36 3/32
	Height (in) of Backguard	2 3/8
Depth (in)	27 9/16	
Weight (lbs.)	355	