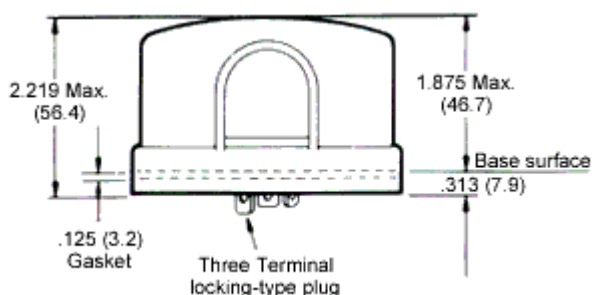


MICROPROCESSOR PHOTOCONTROL

JL-207 series



- *ANSI C136.10-2010 Twist Lock*
- *Multi-Volts Application*
- *Fully Customization Available*
- *Surge Arrester Built-In*
- *IR filtered Photodiode Sensor*
- *Midnight Sleeping Available*
- *Fail-On / Fail-Off Modes Available*
- *Metal Armor Applicable*



Product Summary

The photocontroller JL-207 series is applicable to control the street lighting, garden lighting, passage lighting and doorway lighting automatically in accordance with the ambient natural lighting level, and midnight sleeping timer settings.

This product is designed with microprocessor circuits with either sensors of CdS photocell, photodiode or IR-filtered phototransistor and a surge arrester (MOV) is provided. Its quicker

Shanghai Long-Join Intelligent Technology Inc.

No.398, Nan Wenzao Road, Shanghai 200443, China Phone: (86-21) 5108-3688 Fax: 5106-4051

©2000-2016 EC207VH04
www.LONGJOIN.com



response with time delay of 0-10 seconds for turning-on offers easy-to-test feature. Further, a preset 5-20 seconds time-delay for turning-off might avoid mis-operation due to spotlight or lightning during the night time. The HP version provides constant reliability as the relay has sufficient work life of over 50,000 cycles, and offers extra long work life when a metal Armor option is applied together. This product meets the requirements of ANSI C136.10-2010 and the Standard for Plug-In, Locking Type Photocontrol for Use with Area Lighting UL773, Listed by UL for both US and Canada markets.

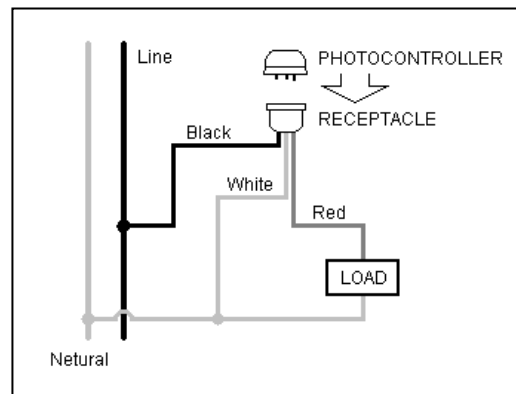
Technical Data

| Model | JL-207C | JL-207E | JL-207F |
|--------------------------|--------------------------------|------------|------------|
| Rated Voltage | 120-277VAC | 347VAC | 480VAC |
| Applicable Voltage Range | 105-305VAC | 105-380VAC | 105-530VAC |
| Rated Frequency | 50/60Hz | | |
| Rated Loading | 1000W Tungsten, 1800VA Ballast | | |
| Power Consumption | 0.5W [STD] / 0.9W [HP] | | |
| Typical On/Off Level | 16Lx On / 24Lx Off | | |
| Ambient Temp. | -40°C ~ +70°C | | |
| Related Humidity | 99% / 100% [IP67] | | |
| Overall Size | 84 (Dia.) x 66mm | | |
| Weight Approx. | 110g [STD] / 125g [HP] | | |

Installation

Disconnect power; wire the receptacle according to the diagram in right hand. Push the photocontroller on and twist it clockwise to lock it into the receptacle.

Install the photocontroller with the Photocell facing the NORTH direction as indicated on the top of the photocontroller. Adjust the receptacle position if necessary.



Ordering Information

JL-207C^{*1} - 5^{*2} - F^{*3} - 15^{*4} - HP^{*5} - P^{*6} - IP65^{*7} - F^{*8} (16^{*9} - 00^{*10} - 24^{*11} - 05^{*12} - T3.0^{*13})

*1: **Model Number;**

*2: **Fail Mode.**

4 = Fail-Off; (suggested color in Green)
5 = Fail-On (suggested color in Blue)

*3: **Sensor Type**

D = Cadmium Sulfide Photocell;
F = IR Filtered Phototransistor;
S = Unfiltered Phototransistor

*4: **MOV options**

Shanghai Long-Join Intelligent Technology Inc.

No.398, Nan Wenzao Road, Shanghai 200443, China Phone: (86-21) 5108-3688 Fax: 5106-4051

©2000-2016 EC207VH04
www.LONGJOIN.com



12 = 110Joule / 3500Amp;
15 = 235Joule / 5000Amp;
23 = 460Joule / 10000Amp;
25 = 546Joule / 13000Amp;

***5: Relay options**

D = Zettler 10Amp;
F = Zettler Hi-Temp 10Amp;
S = Standard 10Amp;
HP = Hi-Power 20Amp.

***6: Enclosure Material**

C = UV Stabilized Polycarbonate;
P = UV Stabilized Polypropylene;
K = UV Stabilized Polycarbonate, with Aluminum Armor painted.

***7: IP protection**

IP54 = Standard with foam gasket;
IP65 = Complete Sealing with Silicone Gasket;
IP67 = Full Sealing with Silicone Gasket and Pin protection.

***8: Enclosure Color**

C = Yellow;
D = Green;
F = Blue;

*9: **Turn On Level** in range of 10-99 Lux available.

*10: **Turn On Time Delay** in range of 00-10 seconds available.

*11: **Turn Off Level** in range of 10-99 Lux available.

*12: **Turn Off Time Delay** in range of 05-20 seconds available

*13: **Midnight Sleeping Time** in range of 2.0-6.0 hours available

Note 1: Product top face will show the Model Number only while a complete Part Number to be shown on an adhesive bottom label.

Note 2: The default item will be JL-207C5F23SP-IP54F(16002405). Customized options may cause quotation variation.