



V3 Watt&CCT Tunable FLOOD LED LIGHT



**CONSTRUCTION:**

Heavy die-cast aluminum alloy housing with bronze powder-coated finish. Glass lens.

**OPTICALSYSTEM:**

High brightness Lumileds chips. High quality tempered glass optics.120° beam angle.

**WARRANTY:**

5-year limited warranty. Actual performance may differ as a result of end-user environment and application.

**PERFORMANCE**

Model NO	Power Switchable	Voltage/CurrentInput			Light Efficiency	Kelvin Options
		120V	277V	347V		
LS3FL-15/20/35W	15W 20W 35W	0.12A/0.2A/0.3A	0.06A/0.07A/0.1A	0.04A/0.05A/0.10A	135LM/W	3000K/4000K/5000K
LS3FL-35/60/80W	35W 60W 80W	0.3A/0.5A/0.6A	0. 1A/0.2A/0.3A	0.10A/0.17A/0.23A	135LM/W	3000K/4000K/5000K
LS3FL-100/120/150W	100W 120W 150W	0.8A/1.0A/1.2A	0.3A/0.4A/0.5A	0.28A/0.34A/0.43A	135LM/W	3000K/4000K/5000K

Date: ..... Location: .....

Product: .....Project: .....

Quantity: .....Catalog# .....

**FEATURES**

- Both Power and CCT adjustable
- Easy installMultiple mounts like Knuckle, Yoke or slip filter, easy install.
- Sturdy and aesthetic design, die-casting aluminum alloy.
- IP65 rated. anti-corrosion and rust proof.
- Uniform and wide flood brightness.

**SUITABLE APPLICATIONS**

- Warehouses
- Factories
- Parking Lots
- Shopping Malls
- Supermarkets
- Logistic Centers

**ELECTRICAL:**

Available as 120-277V input. -20°C to 60°C,

**INSTALLATION&MOUNTING:**

Wall Mounting Or Pipe pole Mounting for easy installation..

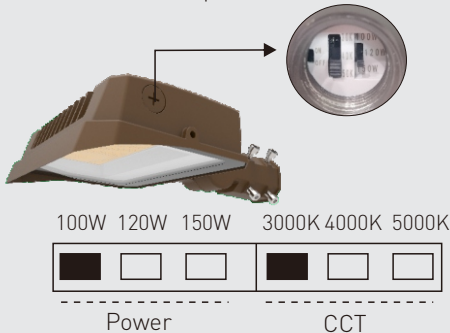
# V3 Watt&CCT Tunable FLOOD LED LIGHT



Model NO	Wattage	Voltage/CurrentInput			Light Efficiency	Kelvin Options
		120V	277V	347V		
LS3FL-15W	15W	0.12A	0.06A	0.04A	135LM/W	3000K/4000K/5000K
LS3FL-20W	20W	0.20A	0.07A	0.05A	135LM/W	3000K/4000K/5000K
LS3FL-35W	35W	0.30A	0.12A	0.10A	135LM/W	3000K/4000K/5000K
LS3FL-60W	60W	0.50A	0.20A	0.17A	135LM/W	3000K/4000K/5000K
LS3FL-80W	80W	0.60A	0.30A	0.23A	135LM/W	3000K/4000K/5000K
LS3FL-100W	100W	0.80A	0.30A	0.28A	135LM/W	3000K/4000K/5000K
LS3FL-120W	120W	1.0A	0.43A	0.34A	135LM/W	3000K/4000K/5000K
LS3FL-150W	150W	1.25A	0.54A	1.25A	135LM/W	3000K/4000K/5000K

## OPTIONAL ACCESSORIES

Open hole for Power Switchable



The lamps have the function of adjusting power and color temperature

## PRODUCT ORDERING GUIDE

LS 3FL- XXW

1 2 3  
 LS  3FL -  15W

LS LEDSION

3FL V3 Flood

- 15W Power 15W     20W Power 20W  
 35W Power 35W     60W Power 60W  
 80W Power 80W     100W Power 100W  
 120W Power 120W     150W Power 150W

## Electric Characteristic

Specification/Model	LS3FL-35/20/15W	LS3FL-80/60/35W	LS3FL-150/120/100W
LED Driver	UL listed CN Brand driver		
Inputpower	35W/20W/15W	80W/60W/35W	150W/120W/100W
Lumensoutput	4725LM/2700LM/2025LM	10800LM/8100LM/4725LM	20250LM/16200LM/13500LM
Eciency	135LM/W	135LM/W	135LM/W
CRI	>72	>72	>72
CCTtunable	30K/40K/50K	30K/40K/50K	30K/40K/50K
Inputvoltage	120-277V/120-347VAC	120-277V/120-347VAC	120-277V/120-347VAC
Lightdistributiontype	120D	120D	120D
Workingtemperature	-20+60°C	-20+60°C	-20+60°C
Junctiontemperature	<75°C	<75°C	<75°C
lampse ciency	≥90%	≥90%	≥90%
Certificate	UL CUL DLC	UL CUL DLC	UL CUL DLC
Equivalent	15-90WMMH/HPS	90-300WMMH/HPS	300-500WMMH/HPS

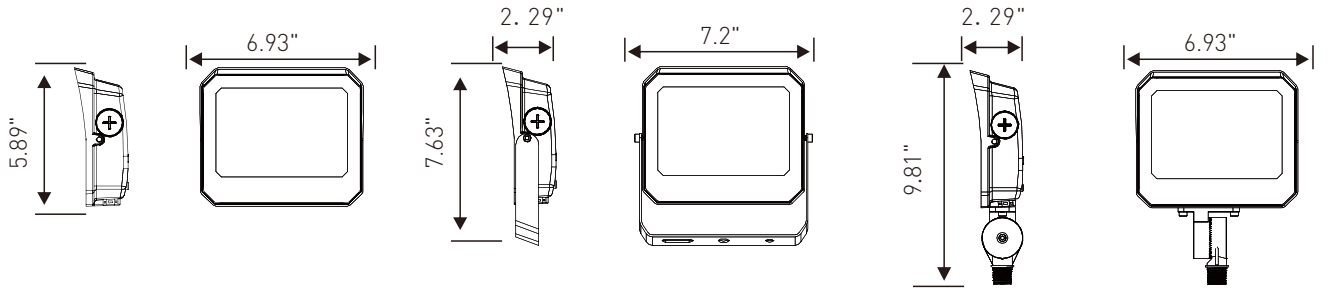
# V3 Watt&CCT Tunable FLOOD LED LIGHT



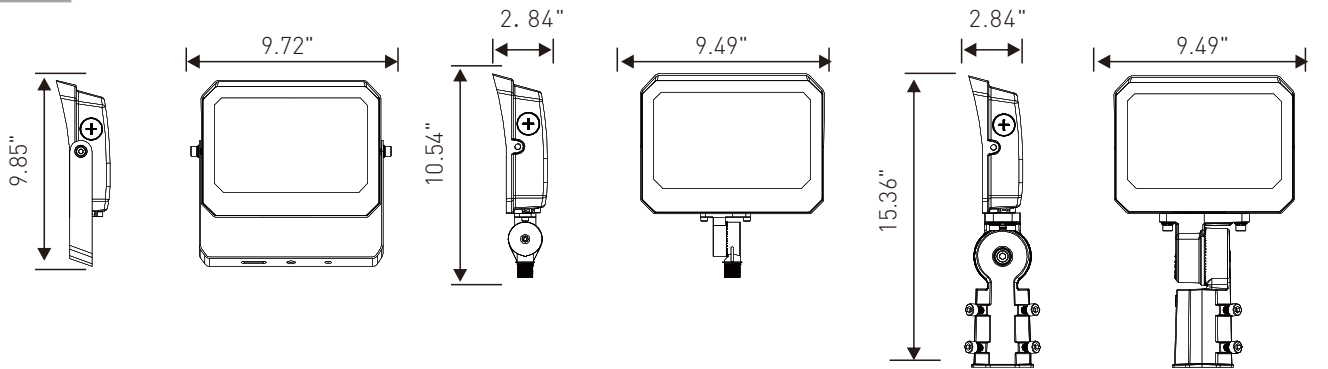
LIGHTING

## DIMENSION

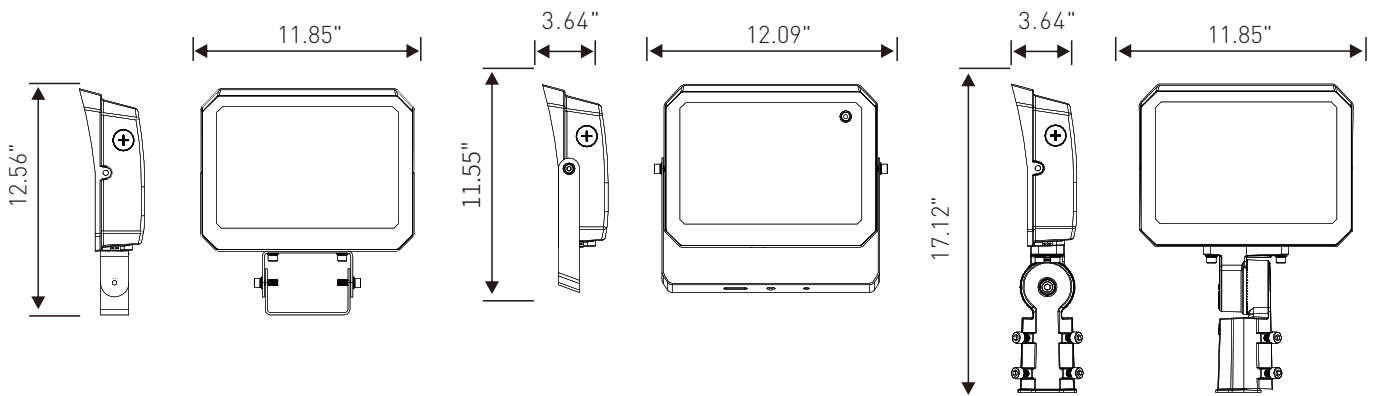
35W/15W



60W/80W

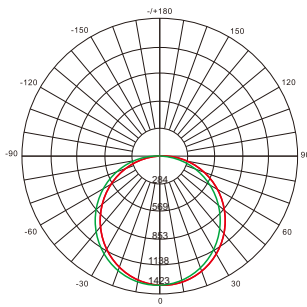


100W/150W



## DISTRIBUTION DIAGRAM

**LS3FL-15W**

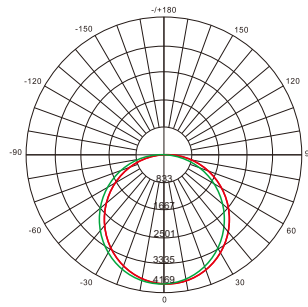


AVERAGE BEAM ANGLE(50%): 120°

UNIT:CD  
 Test Number: LS3FL15W  
 Lumens:2025LM  
 Test Number:15W  
 Test Number:5000K

— C0/180,112.9  
 — C30/210,111.5  
 — C60/240,109.7  
 — C90/270,110.1

**LS3FL-30W**

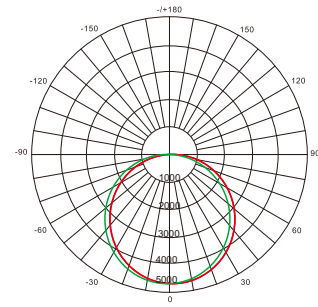


AVERAGE BEAM ANGLE(50%):120°

UNIT:CD  
 Test Number: LS3FL-30W  
 Lumens:4050LM  
 Test Number:30W  
 Test Number:5000K

— C0/180,113.5  
 — C30/210,111.8  
 — C60/240,111.9  
 — C90/270,110.3

**LS3FL-60W**

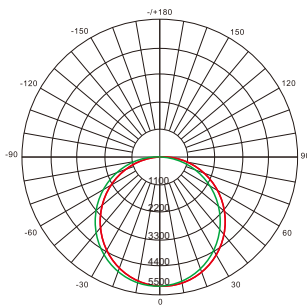


AVERAGE BEAM ANGLE(50%): 120°

UNIT:CD  
 Test Number:LS-FL60W  
 Lumens:8100LM  
 Test Number:60W  
 Test Number:5000K

— C0/180,114.5  
 — C30/210,112.2  
 — C60/240,111.6  
 — C90/270,113.3

**LS3FL-80W**

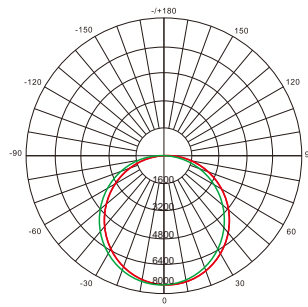


AVERAGE BEAM ANGLE(50%): 120°

UNIT:CD  
 Test Number: LS3FL-80W  
 Lumens:10800LM  
 Test Number:80W  
 Test Number:5000K

— C0/180,112.9  
 — C30/210,111.5  
 — C60/240,109.7  
 — C90/270,110.1

**LS3FL-100W**

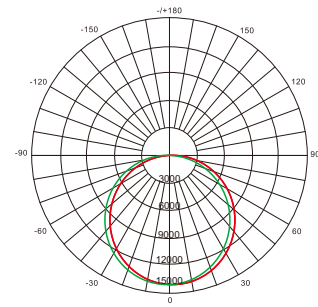


AVERAGE BEAM ANGLE(50%):120°

UNIT:CD  
 Test Number: LS3FL-100W  
 Lumens:13500LM  
 Test Number:100W  
 Test Number:5000K

— C0/180,113.5  
 — C30/210,111.8  
 — C60/240,111.9  
 — C90/270,110.3

**LS3FL-150W**

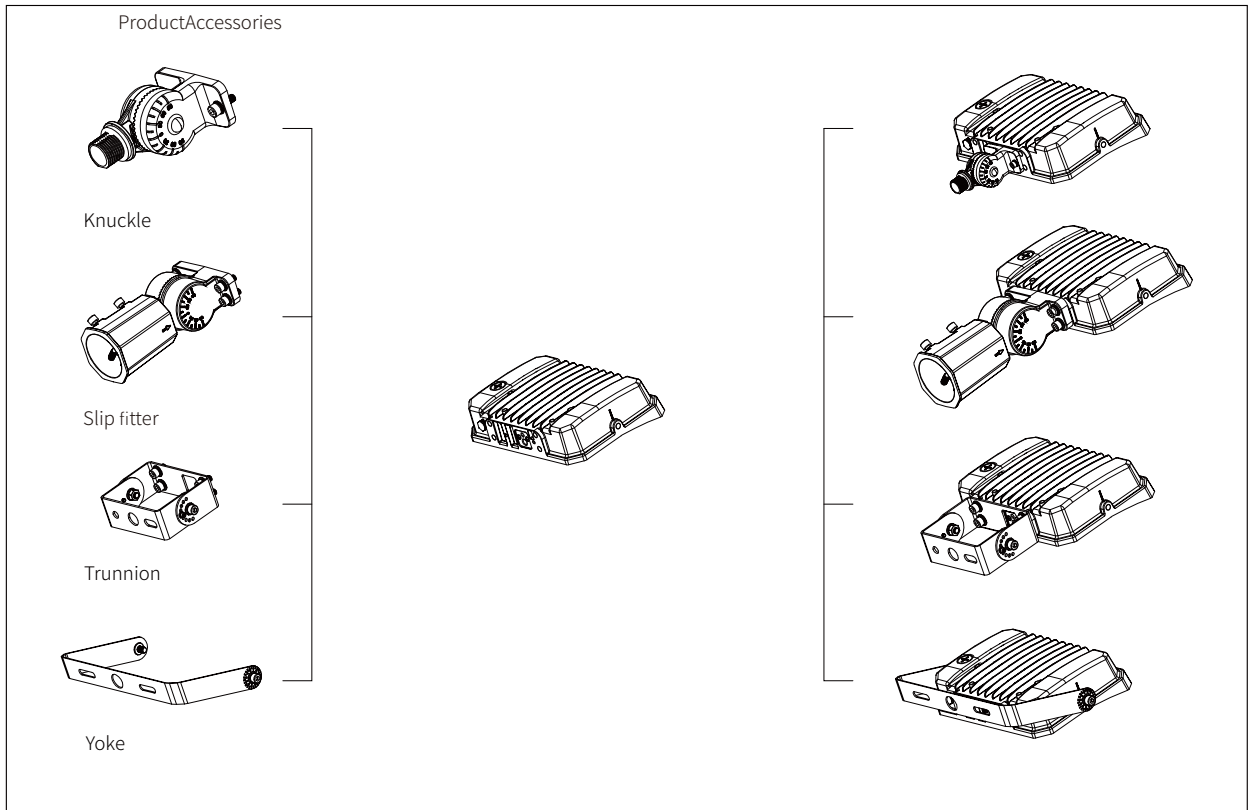


AVERAGE BEAM ANGLE(50%): 120°

UNIT:CD  
 Test Number:LS3FL-150W  
 Lumens:20250LM  
 Test Number:150W  
 Test Number:5000K

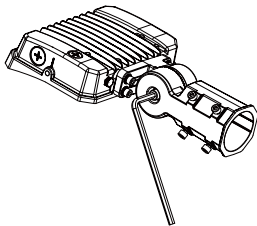
— C0/180,114.5  
 — C30/210,112.2  
 — C60/240,111.6  
 — C90/270,113.3

## Installation

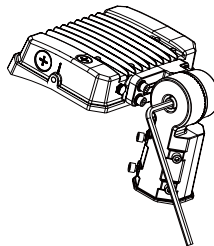


### Installation Instruction (Slip-fitter)

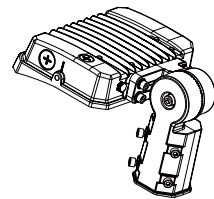
1. Loosen the screw used to fix the upper and the lower mount in rotating shaft by Hexagon wrench.



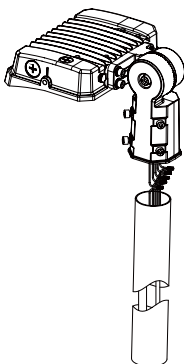
2. Rotate the bracket to proper Angle..



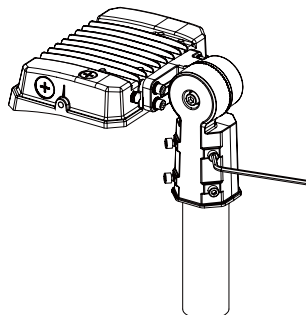
3. Lock the upper and lower brackets by Hexagon wrench.



4. Connect wires.

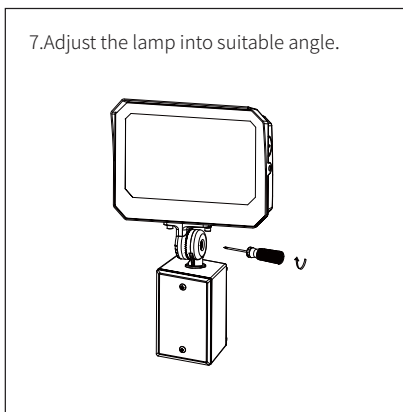
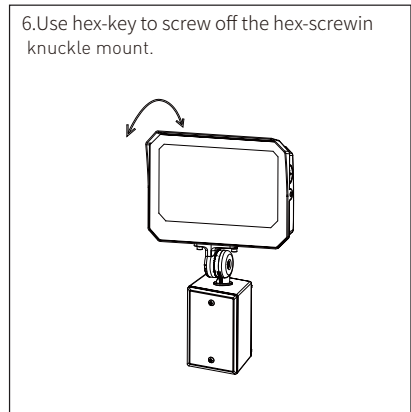
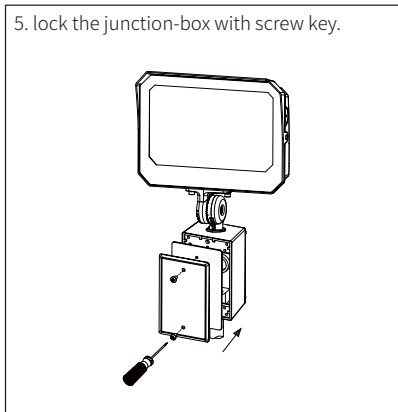
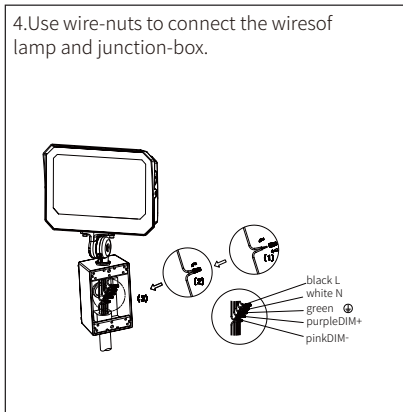
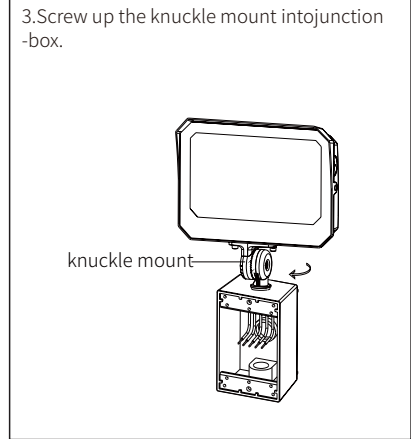
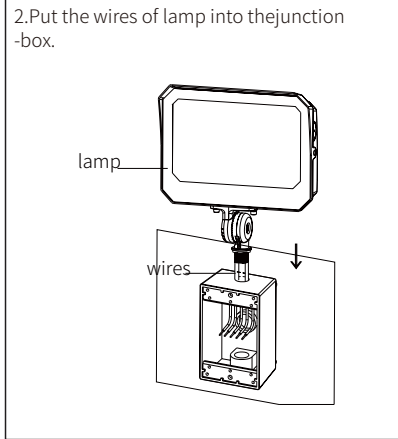
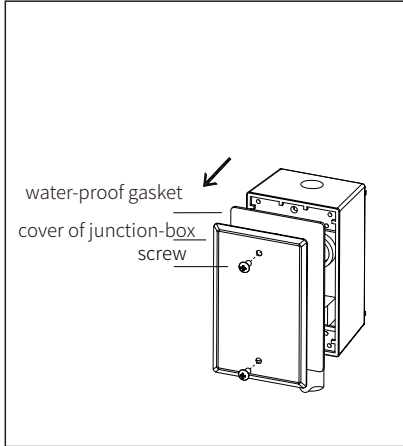


5. Fix the bracket to lamp pole by hexagonal wrench.

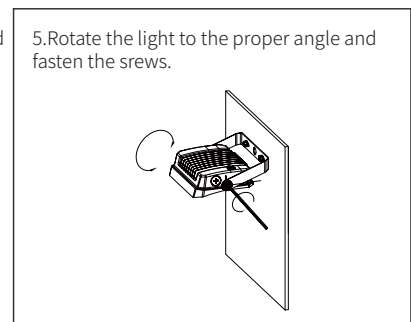
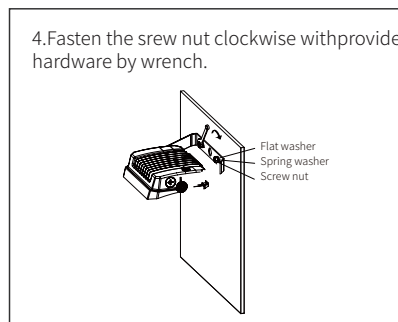
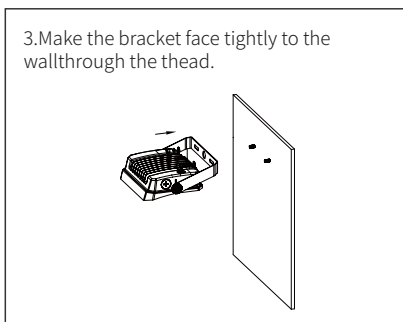
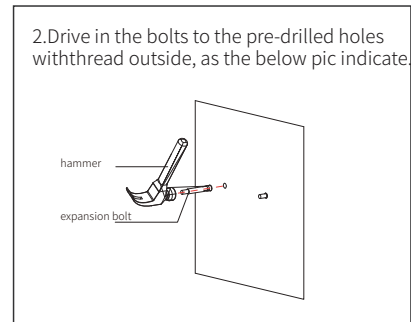
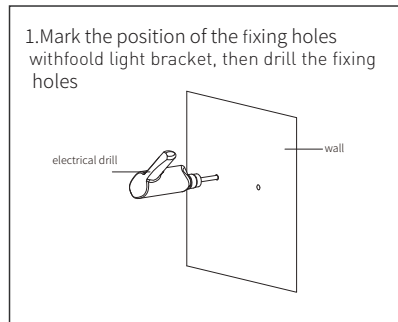


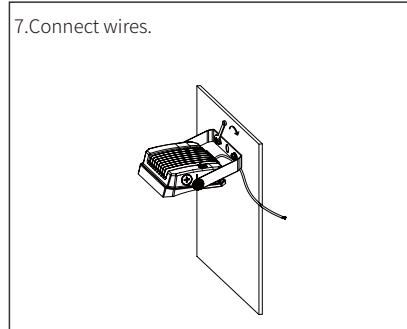
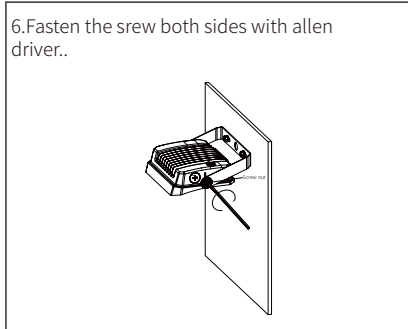
Notice: The maximum diameter of lamp pole is 2.36", lamp adjustable angle is 0-90°

## Installation Instruction



## Installation Instruction (Yoke)





## Installation Instruction (Trunnion)

