



Large Gas Station Canopy LED Light



Date:..... Location:

Product:..... Project:.....

Quantity:..... Catalog#

FEATURES

- 180/240W Large Gas station lights for high ceiling,IP65 rated
- 140lm/Watt lighting efficiency, total output 25200lm / 33600lm
- Mounting J box greatly help installation and maintenance
- Corrosion and rust proof
- DLC LISTED and 50,000 hours life time

SUITABLE APPLICATIONS

- Gas Station Lighting

CONSTRUCTION:

Heavy die-cast aluminum alloy housing with white powder-coated finish.

ELECTRICAL:

Available as 120-277V input. -20°C to 45°C.

OPTICAL SYSTEM:

High Lumen lumileds LED chips. 110° beam angle with clear PC cover.

INSTALLATION&MOUNTING:

Ceiling Mounting/Conduit Pipe pole Mounting for easy installation.

WARRANTY:

5-year limited warranty. Actual performance may differ as a result of end-user environment and application.

PERFORMANCE

| Model NO | Power Factor | Wattage | Voltage/CurrentInput | | Light Efficiency | Kelvin Options |
|------------------------|--------------|---------|----------------------|-------|------------------|----------------|
| | | | 120V | 277V | | |
| AST-CP02B-150WSAMA2-ab | 0.9 | 150W | 1.25A | 0.54A | 140LM/W | 5700K |
| AST-CP02B-180WSAMA2-ab | 0.9 | 180W | 1.50A | 0.64A | 140LM/W | 5700K |
| AST-CP02B-240WSAA-ab | 0.9 | 240W | 2.00A | 0.86A | 140LM/W | 5700K |

Large Gas Station Canopy LED Light



Electric Characteristic

| Specification/Model | AST-CP02B-150WSAMA2-ab | AST-CP02B-180WSAMA2-ab | AST-CP02B-240WSAA-ab |
|-------------------------|------------------------|------------------------|----------------------|
| LED Driver | UL listed Sosen Brand | | |
| Input power | 150W | 180W | 240W |
| Lumens output | 21000LM | 25200LM | 33600LM |
| Efficiency | 140LM/W | 140LM/W | 140LM/W |
| CRI | >80 | >80 | >80 |
| Color Temperature | 5700K | 5700K | 5700K |
| Input voltage | 120-277V/AC | 120-277V/AC | 120-277V/AC |
| Light distribution type | 110D | 110D | 110D |
| Working temperature | -20+45°C | -20+45°C | -20+45°C |
| Junction temperature | <75°C | <75°C | <75°C |
| lamps efficiency | ≥90% | ≥90% | ≥90% |
| Certificate | UL CUL DLC | UL CUL DLC | UL CUL DLC |
| Equivalent | 300-450W MH/HPS | 360-540W MH/HPS | 480-800W MH/HPS |

Electric Characteristic

PRODUCT ORDERING GUIDE

AST-CP02B-150WSAMA2-ab

1 2 3

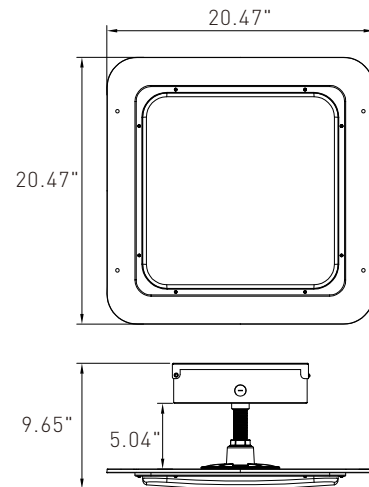
[ATS] - [CP02B] - [150W] SAMA2-ab

ATS actory code

CP02B V5 Canopy

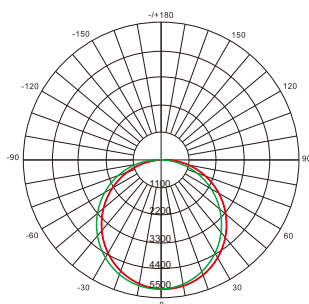
150W Power

DIMENSION



DISTRIBUTION DIAGRAM

AST-CP02B-150WSAMA2-ab

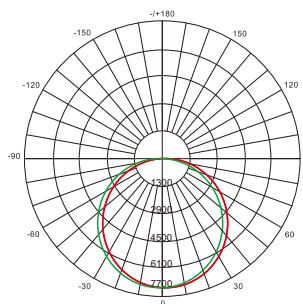


AVERAGE BEAM ANGLE(50%): 110°

UNIT:CD
 - C0/180,118.9
 - C30/210,111.5
 - C60/240,109.7
 - C90/270,117.1

Lumens:21000LM
 Test Number:150W
 Test Number:5000K

AST-CP02B-180WSAMA2-ab

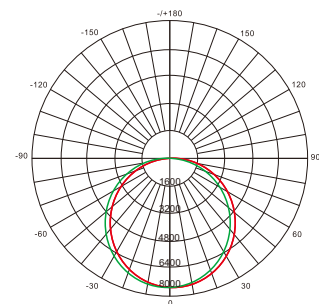


AVERAGE BEAM ANGLE(50%): 110°

UNIT:CD
 - C0/180,118.9
 - C30/210,111.8
 - C60/240,111.9
 - C90/270,117.1

Lumens:25200LM
 Test Number:180W
 Test Number:5000K

AST-CP02B-240WSAA-ab



AVERAGE BEAM ANGLE(50%): 110°

UNIT:CD
 - C0/180,118.9
 - C30/210,112.2
 - C60/240,111.6
 - C90/270,117.1

Lumens:33600LM
 Test Number:240W
 Test Number:5000K

Large Gas Station Canopy LED Light

LED Canopy Light Installation Instruction

Cautions:

1. Can not use the electric generator to test the LED light.
2. Please abide by related country, regional and local law and regulations when install this fixture.
3. Please turn off the power before installation or maintenance.
4. Proper earth grounding is required to ensure safety.

Notice:

1. To avoid possibility of electrical shock or fire, the installation personnel must have professional electric knowledge.
2. Please wear gloves to avoid injury before installation.
3. If any smoke or spark of the wire happened, please turn off the power immediately and notify relevant personnel.

Attention:

1. Please check if there is any damage during shipping. If so, please contact manufacturer timely.
2. Please read the installation instruction carefully to check whether all the accessories are complete. After confirmation, then install the fixture according to installation steps.

Installation Steps:

1. Screw the aluminum pipe into the heatsink. (Figure 1)

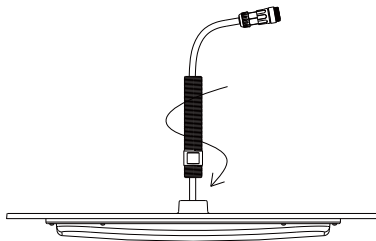


Figure 1

2. Screw the safety rope to heatsink by screwdriver. (Figure 2)

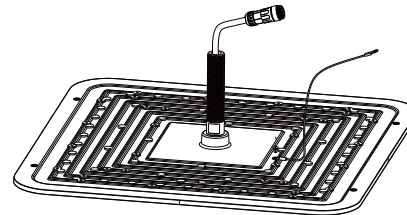


Figure 2

3. Drill the installation hole accordingly on the ceiling. (Figure 3)

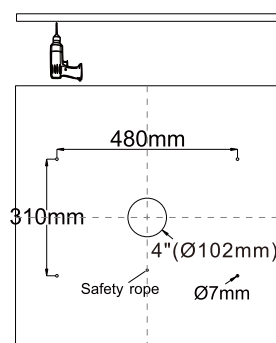


Figure 3

4. Lock the safety rope to the ceiling, assemble the installation plate to the aluminum pipe, then install led fixture. (Figure 4)

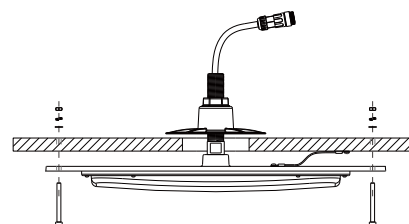


Figure 4

Large Gas Station Canopy LED Light

5. Take the driver box apart by screwdriver. (Figure 5)

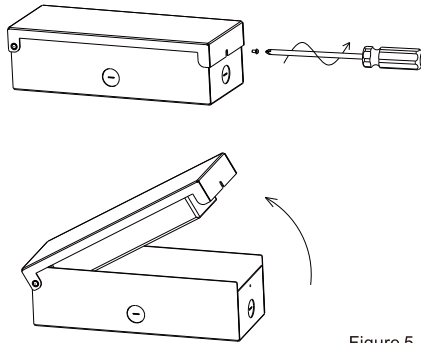


Figure 5

6. Assemble the 3/4 pipe nut to the aluminum pipe (fix the height and direction of driver box), across the DC connector through driver box, then screw the driver box onto the aluminum pipe. (Figure 6)

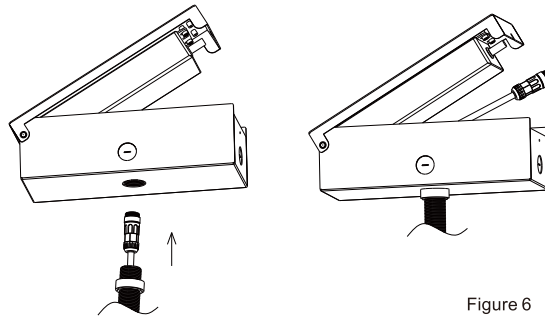


Figure 6

7. Connect the DC connector of led fixture with driver's DC connector. Remove the holes of the driver box if necessary. (Figure 7)

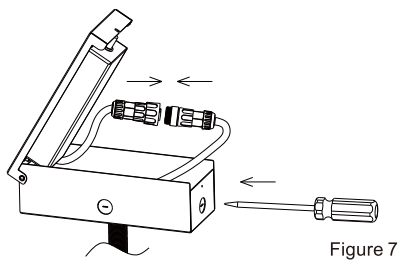


Figure 7

8. Connect the led fixture to local power with necessary connector protection measures. (Figure 8)

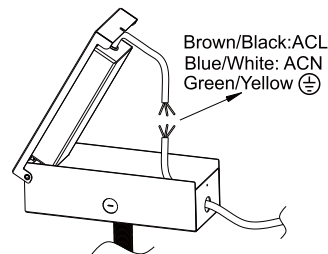


Figure 8

9. Finally, assemble the driver box. (Figure 9) (Figure 10)

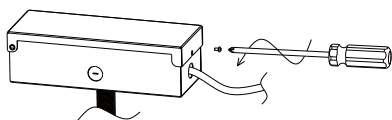


Figure 9

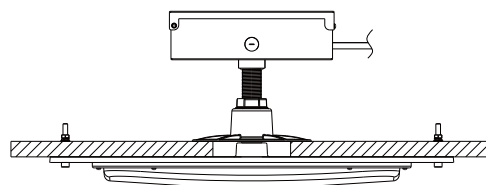


Figure 10