



LED Troffer Light



Date:..... Location: .....

Product:..... Project:.....

Quantity:..... Catalog# .....

### FEATURES

- Both Power and CCT adjustable.
- Easy install by Recessed or surface mounts.
- Built-in junction box Fits standard T-grid ceilings
- Optical lenses over LED chip, pc cover never yellow over time.
- 50,000hours Life time.

### SUITABLE APPLICATIONS

- Office Lighting
- Meeting room lighting
- Store lighting
- Restaurant lighting

### CONSTRUCTION:

Quality white Aluminum heatsink and high transmission PC cover.

### ELECTRICAL:

Available as 120-277V input,0-10v dimmable. -25°C to45°C.

### OPTICAL SYSTEM:

High brightness lumileds LED chips as backlit lighting solution.

### INSTALLATION&MOUNTING:

Suspended Ceiling Mounting/ Frame Flash Mounting

### WARRANTY:

5-year limited warranty. Actual performance maydiffer as a result of end-user environment and.application.

### PERFORMANCE

| Model NO      | SIZE | Wattage     | Voltage  | Light Efficiency     | Kelvin Options    |
|---------------|------|-------------|----------|----------------------|-------------------|
| LSDM-TR922XXW | 2X2  | 25W/30W/35W | 100-277V | 3250LM-3900LM-4550LM | 3500K/4000K/5000K |
| LSDM-TR924XXW | 2X4  | 40W/45W/50W | 100-277V | 5200LM-5850LM-6500LM | 3500K/4000K/5000K |


➤ Electric Characteristic

| Specification/Model     | LSDM-TR922XXW                         | LSDM-TR924XXW             |
|-------------------------|---------------------------------------|---------------------------|
| LED Driver              | UL listed XIEZHEN Brand 0-10 dimmable |                           |
| Input power tunable     | 25W/30W/35W                           | 40W/45W/50W               |
| Lumens output           | 4750LM/3500LM/2250LM                  | 5200LM/5850LM/6500LM      |
| Efficiency              | 130LM/W                               | 130LM/W                   |
| CRI                     | >80                                   | >80                       |
| Color Temperature       | 3500K/4000K/5000K tunable             | 3500K/4000K/5000K tunable |
| Input voltage           | 120-277V/AC                           | 120-277V/AC               |
| Light distribution type | 110D                                  | 110D                      |
| Working temperature     | -25+45°C                              | -25+45°C                  |
| Junction temperature    | <75°C                                 | <75°C                     |
| lamps efficiency        | ≥90%                                  | ≥90%                      |
| Certificate             | ETL CETL DLC                          | ETL CETL DLC              |
| Equivalent              | 36-110W MH/HPS                        | 56-150W MH/HPS            |

➤ Electric Characteristic

**OPTIONAL ACCESSORIES**

---



Emergency Battery Backup.Style LSED20W

---

2x2/1x4 size

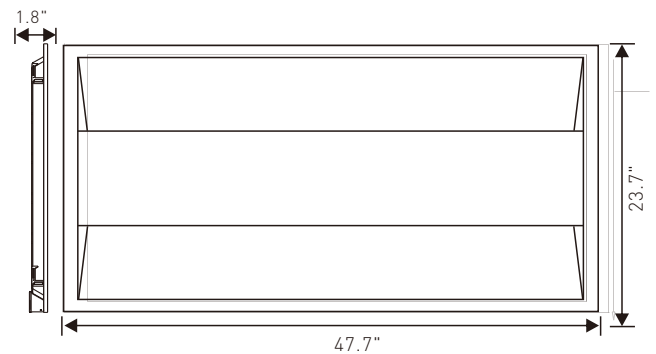
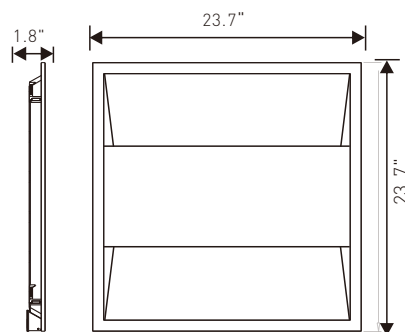
|                          |                          |                          |                          |                          |                          |
|--------------------------|--------------------------|--------------------------|--------------------------|--------------------------|--------------------------|
| 25W                      | 30W                      | 35W                      | 3500K                    | 4000K                    | 5000K                    |
| <input type="checkbox"/> | <input type="checkbox"/> | <input type="checkbox"/> | <input type="checkbox"/> | <input type="checkbox"/> | <input type="checkbox"/> |
| Power                    |                          |                          | CCT                      |                          |                          |

---

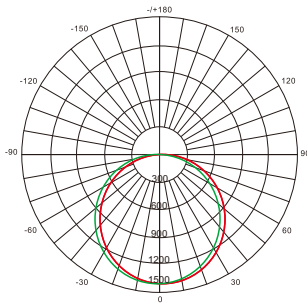
2x4 size

|                          |                          |                          |                          |                          |                          |
|--------------------------|--------------------------|--------------------------|--------------------------|--------------------------|--------------------------|
| 40W                      | 45W                      | 50W                      | 3500K                    | 4000K                    | 5000K                    |
| <input type="checkbox"/> | <input type="checkbox"/> | <input type="checkbox"/> | <input type="checkbox"/> | <input type="checkbox"/> | <input type="checkbox"/> |
| Power                    |                          |                          | CCT                      |                          |                          |

The lamps have the function of adjusting power and color temperature



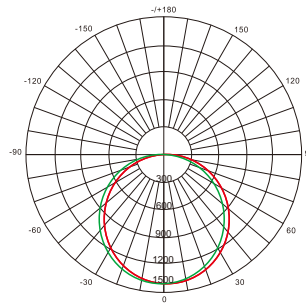
## DISTRIBUTION DIAGRAM



AVERAGE BEAM ANGLE(50%): 110°

Lumens:3250LM  
Test Number:25W  
Test Number:5000K

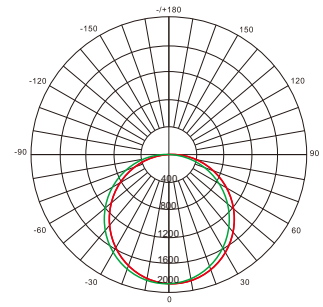
UNIT:CD  
 - C0/180,110.9  
 - C30/210,110.5  
 - C60/240,109.3  
 - C90/270,109.1



AVERAGE BEAM ANGLE(50%): 110°

Lumens:3900LM  
Test Number:30W  
Test Number:5000K

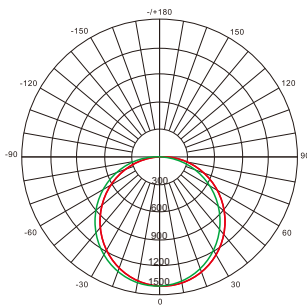
UNIT:CD  
 - C0/180,110.9  
 - C30/210,110.5  
 - C60/240,109.3  
 - C90/270,109.1



AVERAGE BEAM ANGLE(50%): 110°

Lumens:4550LM  
Test Number:35W  
Test Number:5000K

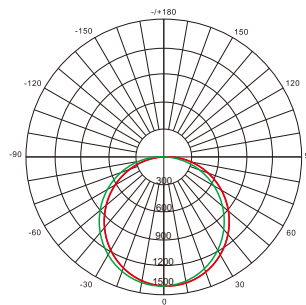
UNIT:CD  
 - C0/180,110.9  
 - C30/210,110.5  
 - C60/240,109.3  
 - C90/270,109.1



AVERAGE BEAM ANGLE(50%): 110°

Lumens:5200LM  
Test Number:40W  
Test Number:5000K

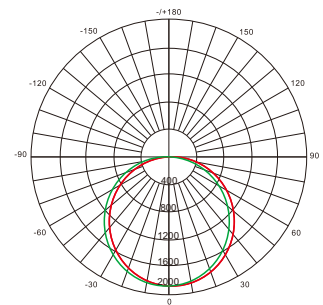
UNIT:CD  
 - C0/180,110.9  
 - C30/210,110.5  
 - C60/240,109.3  
 - C90/270,109.1



AVERAGE BEAM ANGLE(50%): 110°

Lumens:5850LM  
Test Number:45W  
Test Number:5000K

UNIT:CD  
 - C0/180,110.9  
 - C30/210,110.5  
 - C60/240,109.3  
 - C90/270,109.1



AVERAGE BEAM ANGLE(50%): 110°

Lumens:6500LM  
Test Number:50W  
Test Number:5000K

UNIT:CD  
 - C0/180,110.9  
 - C30/210,110.5  
 - C60/240,109.3  
 - C90/270,109.1