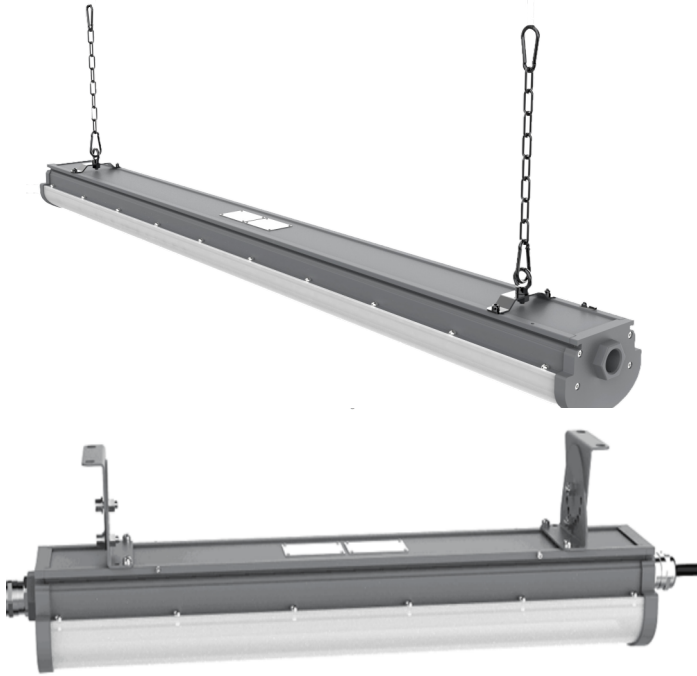




Explosion Proof Linear LED Light



Date:..... Location:

Product:.....Project:.....

Quantity:..... Catalog#

FEATURES

- Class I, Division 2, Groups A, B, C and D, IP68 rated
- Ceiling mount or pendant chain mounting.
- Wide optics for uniform illumination
- 50,000 hours life time, UL DLC LISTED.

SUITABLE APPLICATIONS

- Class I, Division 2, Groups A, B, C and D;
Damp and wet locations
- Wastewater treatment, oil and gas refineries
- Petrochemical facilities
- Food and beverage facilities
- Tunnels, outdoor wall and stanchion mounted general area lighting

CONSTRUCTION:

Heavy die-cast 6063 aluminum alloy housing with glary powder-coated finish. High transmission tempered glass

ELECTRICAL:

Available as 120-277V input. -40°C to 55°C.

OPTICAL SYSTEM:

High brightness Lumileds LED chips.
120° beam angle.

INSTALLATION&MOUNTING:

Ceiling mount or pendant chain mounting for easy installation.

WARRANTY:

5-year limited warranty. Actual performance may differ as a result of end-user environment and application.

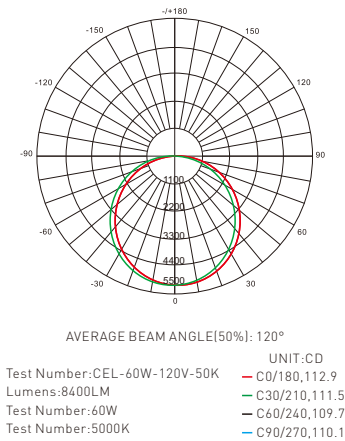
PERFORMANCE

Model NO	Power Factor	Wattage	Voltage/CurrentInput		Light Efficiency	Kelvin Options
			120V	277V		
CES-EX-LN-02P-60D	0.9	60W	0.5A	0.21A	140LM/W	5000K

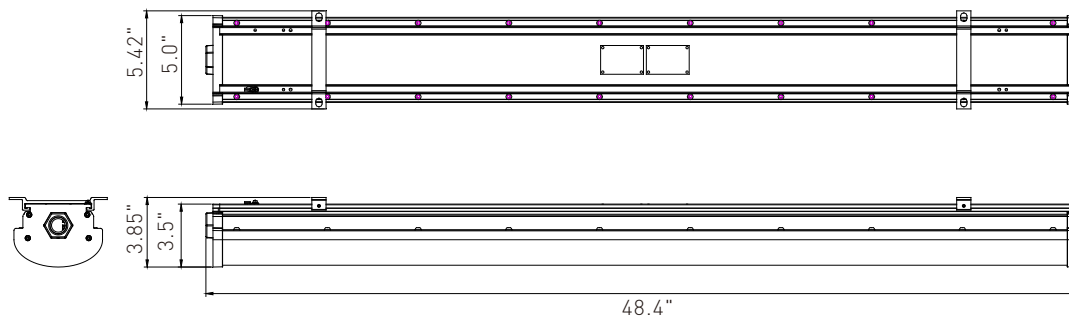
Electric Characteristic

Specification/Model	CES-EX-LN-02P-60D
LED Driver	UL listed MEANWELL HLG
Input power	60W
Lumens output	8400LM
Efficiency	140LM/W
CRI	>72
Color Temperature	5000K
Input voltage	120-277V/AC
Light distribution type	120D
Working temperature	-40°C to +55°C
Junction temperature	<75°C
lamps efficiency	≥90%
Certificate	UL CUL DLC
Equivalent	120-200WMH/HPS

DISTRIBUTION DIAGRAM



DIMENSION



Mountings

