



EMERGENCY LIGHT



LS-ES037

1-3



LS-ES007SR/SG

4-5



LS-EML033

6-7



LS-EML012

8-10



LS-ES082

11-12



EMERGENCY EXIT SIGN

Date:..... Location:

Product:.....Project:.....

Quantity:..... Catalog#



► Electric Characteristic

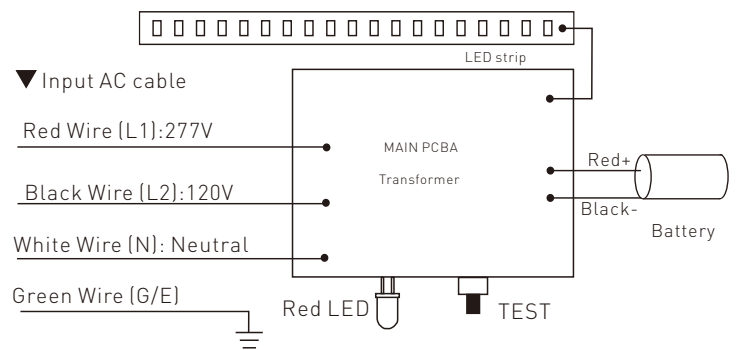
Model NO	Input Wattage	Input Current	Efficiency	Recharge Time	Output Wattage	Plug in LED	Lead-Acid Battery	Emergency duration	Product Size
LS-ES037	5W	0.04A	0.86P	24H	1W	ΦRed*6pcs	1.2V/800mAh	>90mins	11.73"*7.36"*1.77"

► DIMENSION



WARNING:
Unused wires must be capped using enclosed wire nuts.

WIRING DIAGRAM



READ AND FOLLOW ALL SAFETY INSTRUCTIONS

WARNING: FAILURE TO FOLLOW THESE INSTRUCTIONS AND WARNINGS MAY RESULT IN DEATH, SERIOUS INJURY OR SIGNIFICANT PROPERTY DAMAGE. For your protection, read and follow these warnings and instructions carefully before installing or maintaining this equipment.

WARNING:

- RISK OF ELECTRIC SHOCK - NEVER CONNECT TO, DISCONNECT FROM, OR SERVICE WHILE EQUIPMENT IS ENERGIZED.
- RISK OF FIRE. Lamps are hot. Keep combustible material away from hot parts. Observe lamp manufacturer's warnings, recommendations and restrictions on lamp operation and maintenance. Make sure lamps are correctly installed.
- DO NOT USE ABRASIVE MATERIALS, OR OTHER SOLVENTS. USE OF THESE SUBSTANCES MAY DAMAGE FIXTURE, WHICH MAY RESULT IN PERSONAL INJURY.
- RISK OF PERSONAL INJURY. This product may have sharp edges. Wear gloves to prevent cuts or abrasions when removing from carton, handling, installing and maintaining this product.
- RISK OF PERSONAL INJURY. This product may have sharp edges. Wear gloves to prevent cuts or abrasions when removing from carton, handling, installing and maintaining this product.

- **IMPORTANT SAFEGUARDS:** When using electrical equipment, basic safety precautions should always be followed, including the following:
 - Before wiring to power supply, turn off electricity at fuse or circuit breaker.
 - Disconnect AC power and unplug battery before servicing.
 - Consult your local building code for approved wiring and installation.
 - Do not use outdoors.
 - Do not let power supply cord touch hot surfaces.
 - Do not mount near gas or electric heater.
 - Do not install a damaged fixture.
 - This product must be installed in accordance with the applicable installation codes and ordinances.
 - Proper grounding is required to ensure personal safety (where applicable).
 - All service shall be performed by qualified personnel. This product must be installed and maintained in accordance with the applicable installation codes by a person familiar with the construction and operation of the product and the hazards involved.
 - Equipment should be mounted in locations and at heights where it will not be subjected to tampering by unauthorized personnel.
 - The use of accessory equipment not recommended by the manufacturer may cause an unsafe condition.
 - Do not use this equipment for anything other than its intended use.

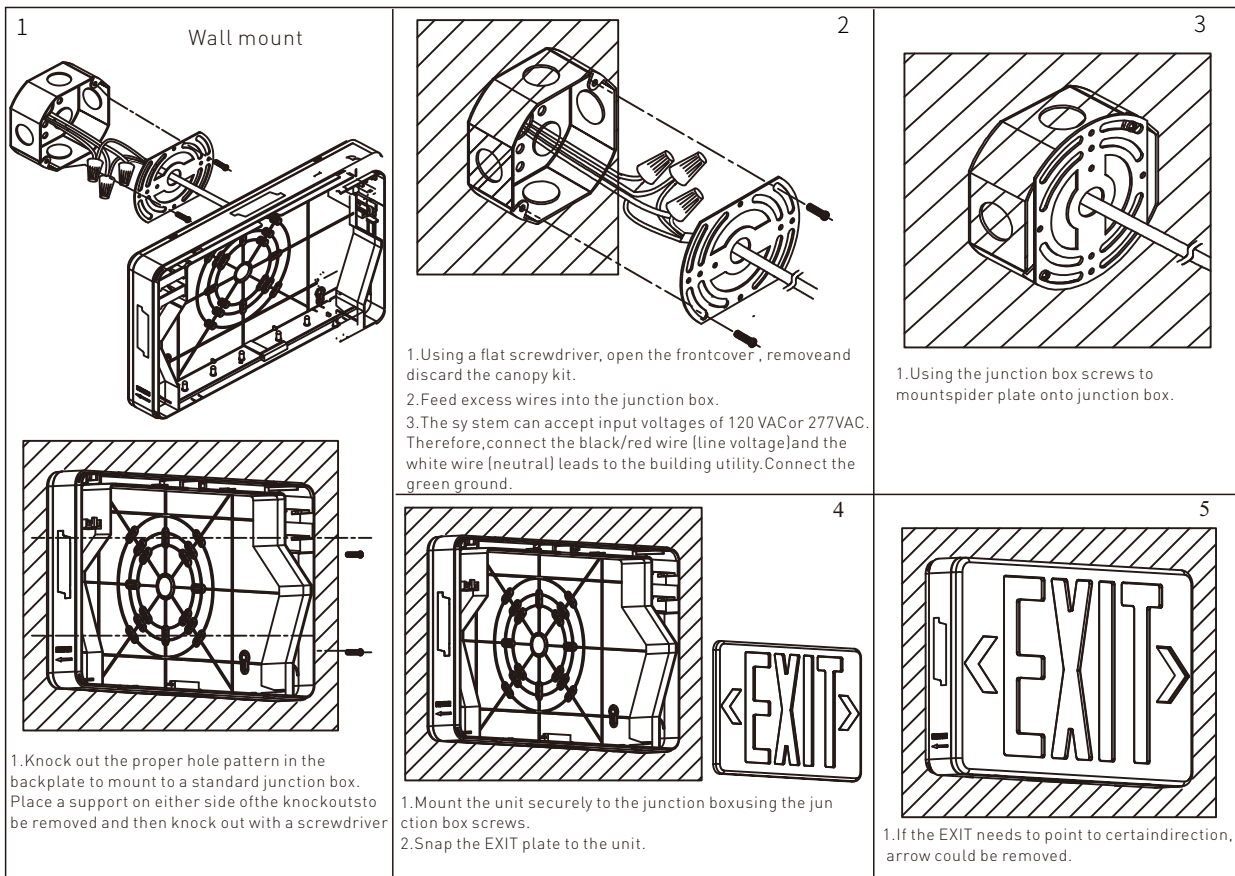
IMPORTANT:

1. When re-lamping use only lamps specified by the manufacturer. Using other lamp types may result in transformer damage or cause unsafe conditions.
2. Battery in this unit may not be fully charged. After electricity is hooked up to the unit, let the battery charge up for at least 24 hours. Then normal operation of this unit should then take effect.

INSTALLATION INSTRUCTIONS (Back mount):

1. Open faceplate by blade screwdriver
2. Determine which mounting holes will be used to mount the fixture to J-BOX and then punch out the proper K/Os from the K/O pattern on the back panel of the housing.
3. Connect AC supply wires to fixture input wires. Black is for 120V; Red is for 277V; White is for neutral.
4. Connect the RED and BLACK leads coming from the circuit board to the battery terminals. RED lead would be connected to the positive terminal and Black lead to the negative terminal.

INSTALLATION DIAGRAM



1

Ceilingmount

- Using a flat screwdriver, open the frontcover ,remove and discard the canopy kit.
- Feed excess wires into the junction box.
- The system can accept input voltages of 120 VAC or 277 VAC. Therefore, connect the black/red wire (line voltage) and the white wire (neutral) leads to the building utility. Connect the green ground.

3

4

5

- Install the canopy to junction box using the junction box screws.
- Mount the unit securely to the canopy.
- Snap the EXIT plate to the unit.

1

2

- Using a flat screwdriver, open the front cover, remove and discard the canopy kit.
- Feed excess wires into the junction box.
- The system can accept input voltages of 120 VAC or 277 VAC. Therefore, connect the black/red wire (line voltage) and the white wire (neutral) leads to the building utility. Connect the green ground.

1. Using the junction box screws to mount spider plate onto junction box .

3

4

5

- Insert the canopy onto the location where the mounting hole cover was removed
- Mount the unit securely to the canopy
- Snap the EXIT plate to the unit.



EMERGENCY EXIT SIGN LIGHT

Date:..... Location:

Product:..... Project:.....

Quantity:..... Catalog#

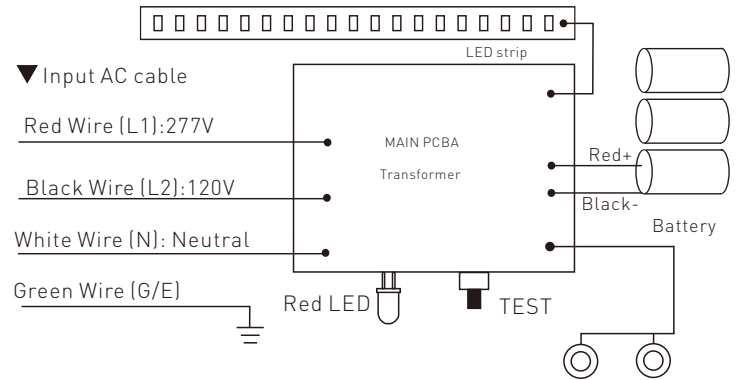


Electric Characteristic

Model NO	Input Wattage	Input Current	Efficiency	Recharge Time	Output Wattage	Plug in LED	Lead-Acid Battery	Emergency duration	Product Size
LS-ES007SR	5W	0.04A	0.86P	24H	1W-2W	ΦRed*12pcs	3.6V/800mAh	>90mins	430*187*45/mm
LS-ES007SG	5W	0.04A	0.86P	24H	1W-2W	Green*12pcs	3.6V/800mAh	>90mins	430*187*45/mm

DIMENSION

WARNING:
Unused wires must be capped using enclosed wire nuts.



READ AND FOLLOW ALL SAFETY INSTRUCTIONS

WARNING: FAILURE TO FOLLOW THESE INSTRUCTIONS AND WARNINGS MAY RESULT IN DEATH, SERIOUS INJURY OR SIGNIFICANT PROPERTY DAMAGE. For your protection, read and follow these warnings and instructions carefully before installing or maintaining this equipment.

WARNING:

- RISK OF ELECTRIC SHOCK - NEVER CONNECT TO, DISCONNECT FROM, OR SERVICE WHILE EQUIPMENT IS ENERGIZED.
- RISK OF FIRE. Lamps are hot. Keep combustible material away from hot parts. Observe lamp manufacturer's warnings, recommendations and restrictions on lamp operation and maintenance. Make sure lamps are correctly installed.
- DO NOT USE ABRASIVE MATERIALS, OR OTHER SOLVENTS. USE OF THESE SUBSTANCES MAY DAMAGE FIXTURE, WHICH MAY RESULT IN PERSONAL INJURY.
- RISK OF PERSONAL INJURY. This product may have sharp edges. Wear gloves to prevent cuts or abrasions when removing from carton, handling, installing and maintaining this product.
- RISK OF PERSONAL INJURY. This product may have sharp edges. Wear gloves to prevent cuts or abrasions when removing from carton, handling, installing and maintaining this product.

- **IMPORTANT SAFEGUARDS:** When using electrical equipment, basic safety precautions should always be followed, including the following:
 - Before wiring to power supply, turn off electricity at fuse or circuit breaker.
 - Disconnect AC power and unplug battery before servicing.
 - Consult your local building code for approved wiring and installation.
 - Do not use outdoors.
 - Do not let power supply cord touch hot surfaces.
 - Do not mount near gas or electric heater.
 - Do not install a damaged fixture.
 - This product must be installed in accordance with the applicable installation codes and ordinances.
 - Proper grounding is required to ensure personal safety (where applicable).
 - All service shall be performed by qualified personnel. This product must be installed and maintained in accordance with the applicable installation codes by a person familiar with the construction and operation of the product and the hazards involved.
 - Equipment should be mounted in locations and at heights where it will not be subjected to tampering by unauthorized personnel.
 - The use of accessory equipment not recommended by the manufacturer may cause an unsafe condition.
 - Do not use this equipment for anything other than its intended use.

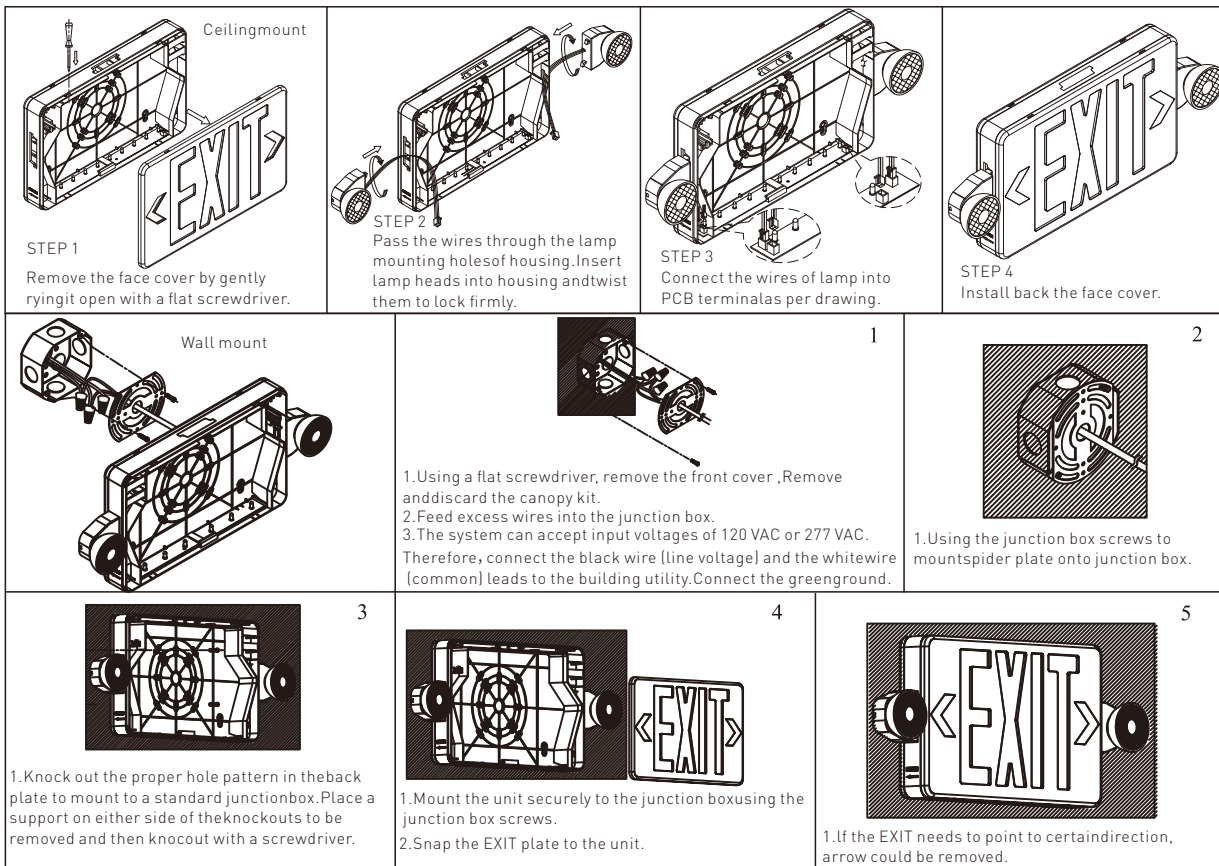
IMPORTANT:

1. When re-lamping use only lamps specified by the manufacturer. Using other lamp types may result in transformer damage or cause unsafe conditions.
2. Battery in this unit may not be fully charged. After electricity is hooked up to the unit, let the battery charge up for at least 24 hours. Then normal operation of this unit should then take effect.

INSTALLATION INSTRUCTIONS (Back mount):

1. Open faceplate by blade screwdriver
2. Determine which mounting holes will be used to mount the fixture to J-BOX and then punch out the proper K/Os from the K/O pattern on the back panel of the housing.
3. There are two additional KEY HOLE slots located on the top of the unit. These holes must be used when the unit is mounted to the wall.
4. Connect AC supply wires to fixture input wires. Black is for 120V; Red is for 277V; White is for neutral.

INSTALLATION DIAGRAM





EMERGENCY LIGHT

Date:..... Location:

Product:.....Project:.....

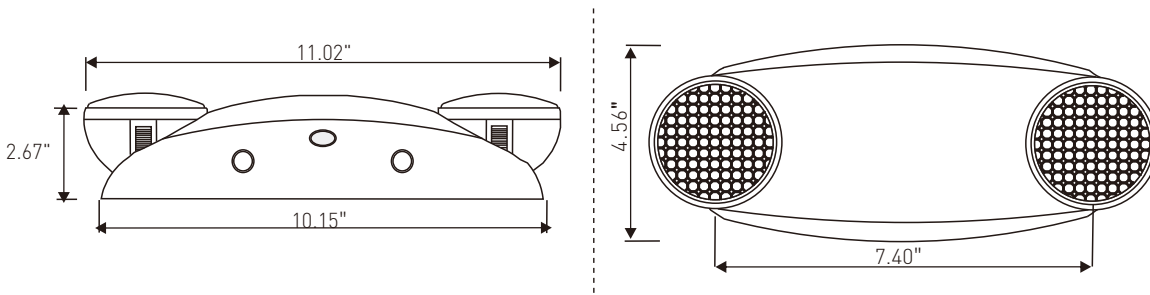
Quantity:..... Catalog#



► Electric Characteristic

Model NO	Input Wattage	Input Current	Efficiency	Recharge Time	Output Wattage	Light Source	Lead-Acid Battery	Emergency duration	Product Size
LS-EML033	2W	0.016A	0.97P	24H	2W	Ultra bright LED	3.6V/600mAh	>90mins	11.02"*4.56"*2.67"

► DIMENSION



IMPORTANT SAFEGUARDS

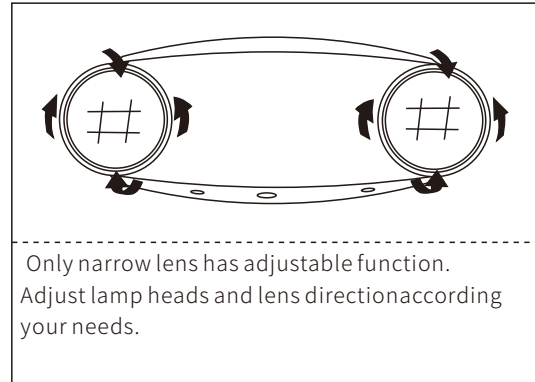
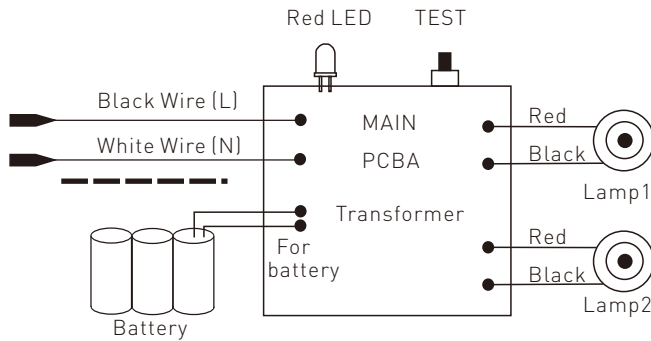
- When using electrical equipment, basic safety precautions should always be followed including the following.
- 4.2 When using electrical equipment, close all electrical power before installation.

READ AND FOLLOW ALL SAFETY INSTRUCTIONS

- Read and follow all safety instructions.
- Disconnect power before performing work on electrical equipment.
- Do not use outdoors.
- Do not let power cords touch hot surfaces.
- Do not install in hazardous locations or near gas or electric heaters.
- The use of accessory equipment not recommended by manufacturer, may cause an unsafe condition and will void the unit's warranty.
- Do not use this equipment for other than its intended purpose.
- Servicing of this equipment should be performed by qualified service personnel.
- Equipment should be mounted in locations and at heights where it will not readily be subjected to tampering by unauthorized personnel.
- Allow battery to charge for 24 hours before first use.

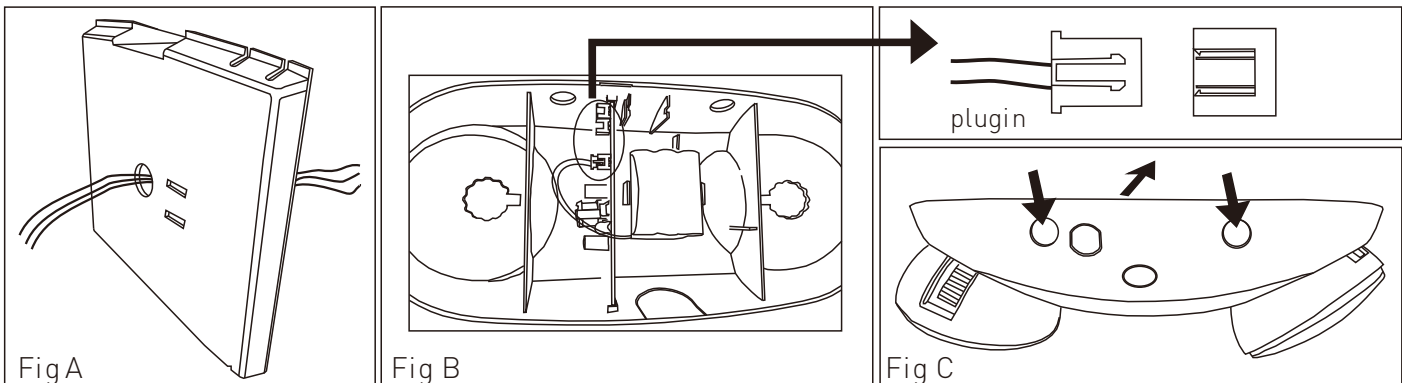
► .WIRING DIAGRAM

► ADJUST LAMP HEADS AND LENS



INSTALLATION(J-BOX MOUNTING):

- 1.Feed fixture leads through main bottom case and connect AC power supply (Fig A).
- 2.Connect wires through J-Box .Place bottom case on J-Box and secure with screw
- 3.Connect battery only when continuous ACpower can be provided to the unit(Fig B).
- 4 Align snaps and push housing directly onto main bottom case(Fig C) apply continuous ACpower andpress "TEST" button to check lamps.



WARNING:

Unused wires must be capped using enclosed wire nuts.

INSTALLATION(CONDUIT):

1. Secure main bottom case to wall surface.Route wires through hole in conduit flange and make conduit connection.
- 2 Connect battery only when continuous ACpower can be provided to the unit(Fig B).
- 3 Align snaps and push housing directly onto main bottom case(FigC).Apply continuous AC power andpress"TEST"button to check light.



EMERGENCY LIGHT

Date:..... Location:

Product:.....Project:.....

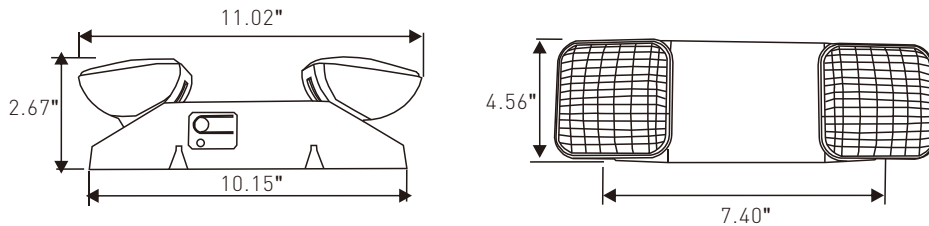
Quantity:..... Catalog#



► Electric Characteristic

Model NO	Input Wattage	Input Current	Efficiency	Recharge Time	Output Wattage	Light Source	Lead-Acid Battery	Emergency duration	Product Size
LS-EML012	2.4W	0.02A	0.97P	24H	2*1.2W	Ultra bright LED	3.6V/600mAh	>90mins	11.02"*4.56"*2.67"

► DIMENSION



IMPORTANT SAFEGUARDS

- When using electrical equipment, basic safety precautions should always be followed including the following.
- 4.2 When using electrical equipment, close all electrical power before installation.

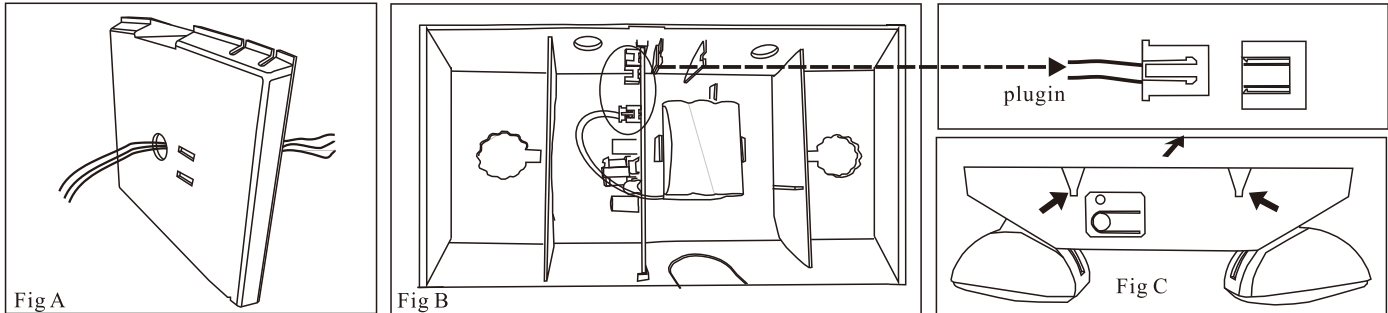
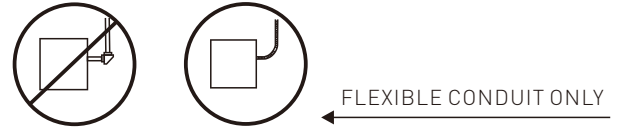
READ AND FOLLOW ALL SAFETY INSTRUCTIONS

- When using electrical equipment, basic safety precautions should always be followed, including the following:
- Read and follow all safety instructions.
- Disconnect power before performing work on electrical equipment.
- Do not use outdoors.
- Do not let power cords touch hot surfaces.
- Do not install in hazardous locations or near gas or electric heaters.
- The use of accessory equipment not recommended by manufacturer, may cause and will void the unit's warranty.
- Do not use this equipment for other than its intended purpose.
- Servicing of this equipment should be performed by qualified service personnel.
- Equipment should be mounted in locations and at heights where it will not readily be subjected to tampering by unauthorized personnel.

- Allow battery to charge for 24 hours before first use.
- Save these instructions:

INSTALLATION(J-BOXMOUNTING):

- Feed fixture leads through main bottom case and connect AC power supply(Fig A).
 - Connect wires through J-Box .Main bottom case on J-Box and secure with screws.
 - Connect battery only after continuous AC power can be provided to the unit(Fig B) .
 - Align snaps and push housing directly onto main bottom case(Fig C) apply continuous AC power and press"TEST" button to check light.
- WARNING:Unused wires must be capped using enclosed wire nuts.



INSTALLATION(CONDUIT):

- Secure main bottom case to wall surface.Route wires through hole in conduit flange and make conduitconnection.
- Connect battery only after continuous AC power can be provided to the unit(Fig B).
- Align snaps and push housing directly onto main bottom case(Fig C).Apply continuous AC power andpress"TEST"" button to check light.

OPERATION:

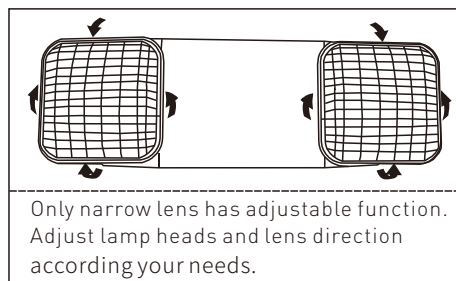
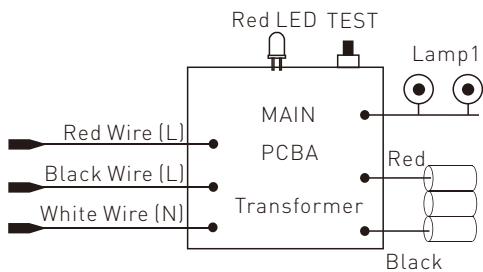
- During an electrical power failure, the lamps will automatically come on for a minimum of 90 minutes.
- To test ,depress the"TEST" switch , the emergency lamps willilluminate. When the switch is released , thelamps wili go off.

Features:


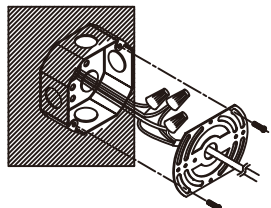
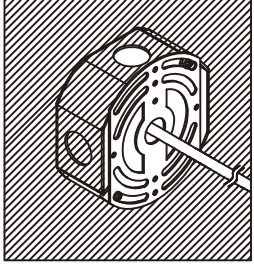
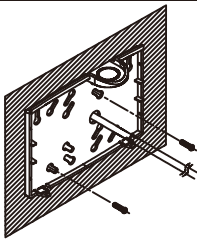
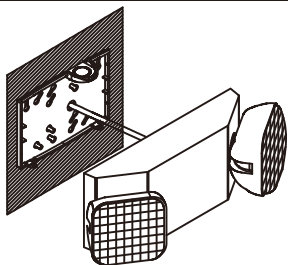
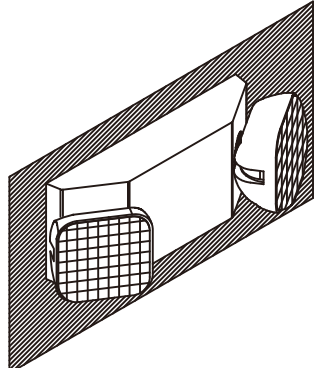
- Injection-molded thermoplastic housing,UL94V-0 flame rating.
- Innovative,easy installation in minutes.
- Suitable for wall mount applications.
- Universal J-box mounting pattern.
- 120V;277VAC Dual voltage operation.
- 2pcs 1.2W ultra bright LED lamp heads for emergency mode.
- Luminous flux:more than 150Lm.
- Built-in 3.6V/600mAh Nickel cadmium battery for minimum 90 minutes emergency operation.
- Maximum 24 hours for full recharge time.emergency mode.
- Test switch and charge indicator.
- 5 Cto 40°C indoor damp location listed.
- product size

WIRING DIAGRAM:

ADJUST LAMP HEADSAND LENS:



INSTALLATION DIAGRAM

	 <p>1</p> <ol style="list-style-type: none"> 1. Using a flat screwdriver, remove the front cover. Remove and discard the canopy kit. 2. Feed excess wires into the junction box. 3. The system can accept input voltages of 120VAC or 277 VAC. Therefore, connect the black wire (line voltage) and the white wire (common) leads to the building utility. Connect the green ground 	 <p>2</p> <ol style="list-style-type: none"> 1. Using the junction box screws to mount spiderplate onto junction box.
 <p>3</p> <ol style="list-style-type: none"> 1. Knock out the proper hole pattern in the backplate to mount to a standard junction box. Place a support on either side of the knockouts to be removed and then knock out with a screwdriver 2. Route AC supply wires through the center hole of the back plate 	 <p>4</p> <ol style="list-style-type: none"> 1. Make electrical connections 2. Connect battery only after AC power has been provided to the unit. 3. Align snaps and push housing directly onto backplate. 	 <p>5</p>



EMERGENCY EXIT SIGN LIGHT

Date:..... Location:

Product:.....Project:.....

Quantity:..... Catalog#



► Electric Characteristic

Model NO	Input Wattage	Input Current	Efficiency	Recharge Time	Output Wattage	Light Source	Lead-Acid Battery	Emergency duration	Product Size
LS-ES082	4W	0.03A	0.97P	24H	2*2W	Ultra bright LED	3.6V/600mAh	>90mins	11.02"*4.56"*2.67"

► DIMENSION



IMPORTANT SAFEGUARDS

- When using electrical equipment, basic safety precautions should always be followed including the following.
- 4.2 When using electrical equipment, close all electrical power before installation.

READ AND FOLLOW ALL SAFETY INSTRUCTIONS

- When using electrical equipment, basic safety precautions should always be followed, including the following:
- Read and follow all safety instructions.
- Disconnect power before performing work on electrical equipment.
- Do not use outdoors.
- Do not let power cords touch hot surfaces.
- Do not install in hazardous locations or near gas or electric heaters.
- The use of accessory equipment not recommended by manufacturer, may cause and will void the unit's warranty.
- Do not use this equipment for other than its intended purpose.
- Servicing of this equipment should be performed by qualified service personnel.
- Equipment should be mounted in locations and at heights where it will not readily be subjected to tampering by unauthorized personnel.



EMERGENCY EXIT SIGN LIGHT

Date:..... Location:

Product:.....Project:.....

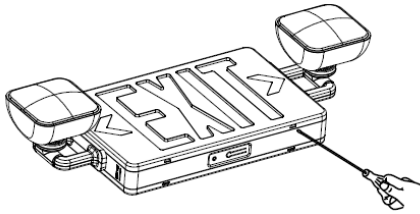
Quantity:..... Catalog#

Mounting Instructions

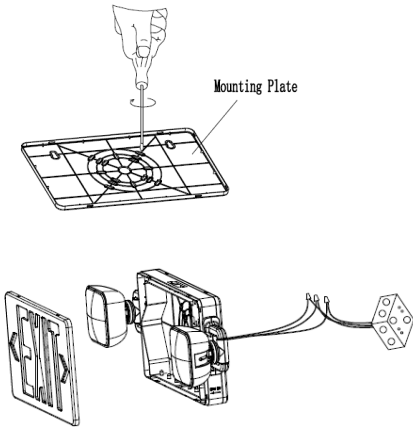
NOTE: First turn off electricity.

Wall mounting

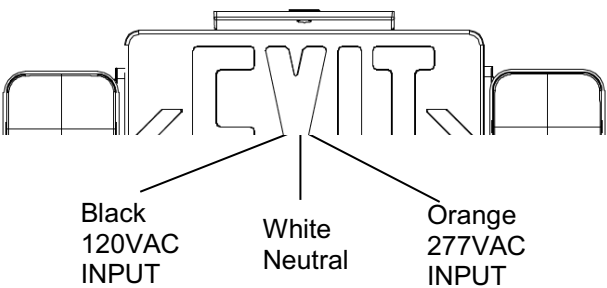
1. Open the EXIT housing and diffuser with a screwdriver.



2. Knockout in back of mounting plate and push wires through the hole.



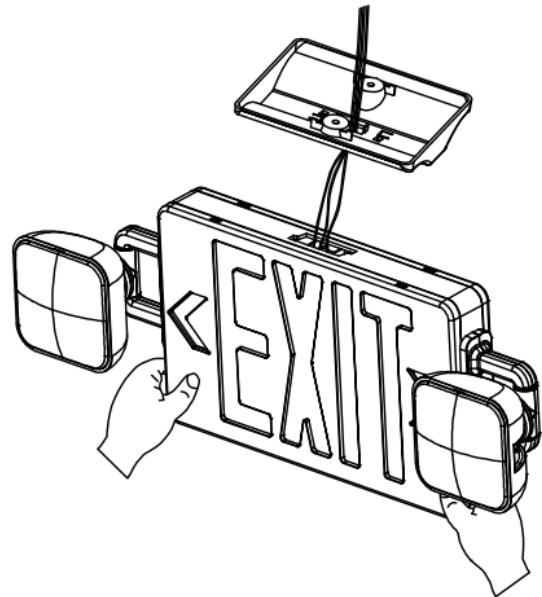
3. Make the proper supply lead connections. If using 120vAC, connect the black and white leads to the building utility. If using 277VAC, connect the orange and white leads to the building utility. Cap off unused wire. If the unit is self-powered, be sure to snap battery connector together.



4. Snap fixture onto mounting plate and ensure wires are pinched. Make sure unit is fully attached.
5. Restore power and press test button. Battery powered LED will come on, AC light will turn off.

Ceiling mounting

- 1. Open the EXIT housing and knockout on the top of fixture.
- 2. Knockout in top of mounting plate and push wires through the hole.



3. Reference step 3 - 5 in wall mounting above for ceiling mounting.