

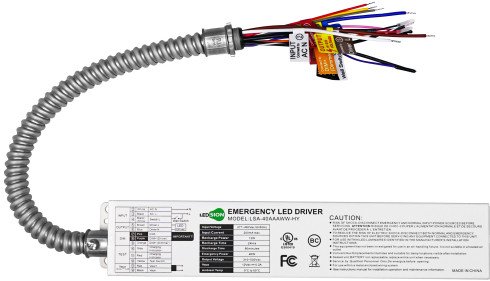


40WHV Emergency LED Driver

Date: Location:

Product: Project:

Quantity: Catalog#



FEATURES

- UL Listed for US and CANADA
- Listed to UL924 and tested to CSA C22.2 NO.141 Field or factory installation
- Low energy consumption CEC Title20 compliance
- High output voltage
- Constant output power
- Self-testing
- Over Temperature Protection Over Charge Protection Over Discharge Protection
- For wiring to the led driver's AC input

► Electric Characteristic

Model NO	Input Voltage	Input Current	Recharge Power	Time Recharge	Output Voltage	Emergency Power	Discharge Time	Battery
LSA-40AAAWW-HY	277-480Vac	200mA max	12W max	24H	310-500VDC	40W	1.5H	Li-ion

CAUTION: This emergency driver can only be applied to LED luminaires with an input voltage of 347-480VAC. If the mains power is up to 480VAC, the maximum input voltage of the LED driver of the fixture must be 480VAC.

For other voltages, please consult the manufacturer.

LSA-40AAAWW-HY are for led lamp less than 350W (When the fixture dim to the minimum, the power needs to be less than that of emergency led driver).

SELF-TESTING

The integrated Self- Diagnostic circuitry will automatically conduct monthly 30-second and annual 90-minute tests to verify proper emergency capability per Life Safety Code requirements. NFPA 101, Life Safety Code Outlines the following schedule:

Monthly- During AC mode, the system conducts a (30)seconds self-discharge test of the emergency led driver every 30 days. And automatically restore to normal charging after (30)seconds dis-charged.

Annually- During AC mode, the system conducts a (90)minutes self-discharge test of the emergency led driver every 365 days. And automatically restore to normal charging after fully dis-charged.

INSTALLATION MANUAL

!!! IMPORTANT SAFEGUARDS !!!

WHEN USING ELECTRICAL EQUIPMENT, BASIC SAFETY PRECAUTION SHOULD ALWAYS BE FOLLOWED, INCLUDING THE FOLLOWING

READ AND FOLLOW ALL SAFETY INSTRUCTION

1. CAUTION- This emergency driver provides more than one power supply output source. To reduce the risk of electrical shock, disconnect both normal
2. CAUTION- Servicing of this equipment should be performed by qualified personnel only.
3. CAUTION- Do not attempt to service the battery. A sealed, no-maintenance battery is used that is not field replaceable. Replace the entire unit when necessary
4. CAUTION- The use of accessory equipment not recommended by the manufacturer may cause an unsafe condition, void warranty, and result in non-compliance with UL specifications.
5. CAUTION- Connect the emergency driver battery pack to the unit before applying A.C. Power
6. CAUTION- The emergency driver requires an un-switched AC power source of 277-480VAC, 50/60Hz. Installer must confirm that fixtures input voltage covered 480VAC before installation. It will supply power under an output voltage of 310-500VDC in emergency mode for at least 90 minutes.
7. CAUTION- Battery pack should be charged for 24 hours every 6 months during storage.
8. CAUTION- Press test switch again to turn off emergency before shipping.

9. Battery in this unit may not be fully charged. After electricity is connected to the unit for at least 24 hours, then normal operation of this unit should take effect.
10. For use in 0°C minimum, 50°C maximum ambient temperatures. Suitable for use in damp locations and plenum spaces.
11. The emergency driver should be mounted in locations and at heights where it will not readily be subjected to tampering by unauthorized personnel.
12. Do not use this equipment for anything other than its intended use. Equipment only use for LED Lighting emergency backup.
13. Do not mount near gas or electric heaters. Do not let power supply cords touch hot surfaces.
14. Do not make or leave any other open holes in the wiring enclosure or electrical component enclosure during installation.
15. The emergency driver have battery inside, forbidden for insulation voltage(I/P-O/P) test.
16. This fixture is for use with grounded, UL Listed, damp location rated, indoor fixture. Not for use in heated air outlets or hazardous locations.
17. Maximum installation height: 30.3 feet.
18. Do not use outdoor.

LUMEN OUTPUT DURING EMERGENCY OPERATION

The luminaire rated data and maximum mounting height can be found as follows:

1. Determine the fixture efficacy under normal AC operation, based on fixture manufacturer published data in lumens per watt(LM/W).
2. Reference DLC QPL (www.designlights.org) and Energy Star QPL (www.energystar.gov) for rated data on fixture efficacy. If fixture is not found on DLC or Energy Star Qualified Product List, contact fixture manufacturer.
3. Multiply fixture LM/W by rated output power of emergency pack. Example: model LSA-40AAAWW-HY is 40 W 100 LM/W = 4000 Lumens.

This product has been designed and tested to be compatible with most of LED drivers in the market. However, compatibility cannot be guaranteed with all current and future LED drivers or fixtures. So compatibility testing of the end-use system is suggested.

Please contact the factory with any questions.



Caution: Before Installation, Make Certain The A.C. Power is Off !

STEP1: INSTALLING THE EMERGENCY LED DRIVER

- > Turn off the AC power before installing.
- > Test switch and indicator light shall be installed where can be seen depending on the application.
- > The voltage input to the dimmable wires (DIM+, DIM-) of emergency LED driver must be less than 20Vdc.
- > Determine appropriate location for emergency driver on the fixture or using brackets to fix emergency driver on the fixture. The installation instruction of LED luminaire may provide guidance on mounting location.

STEP2: WIRING THE EMERGENCY DRIVER

- > Select the appropriate wiring diagram to connect the emergency driver to the driver's AC input. For other diagrams, consult the manufacturer.
- > Using wire nuts to cover unused wires and make sure all connections are in accordance with the NEC and any local regulations.

STEP3: TESTING

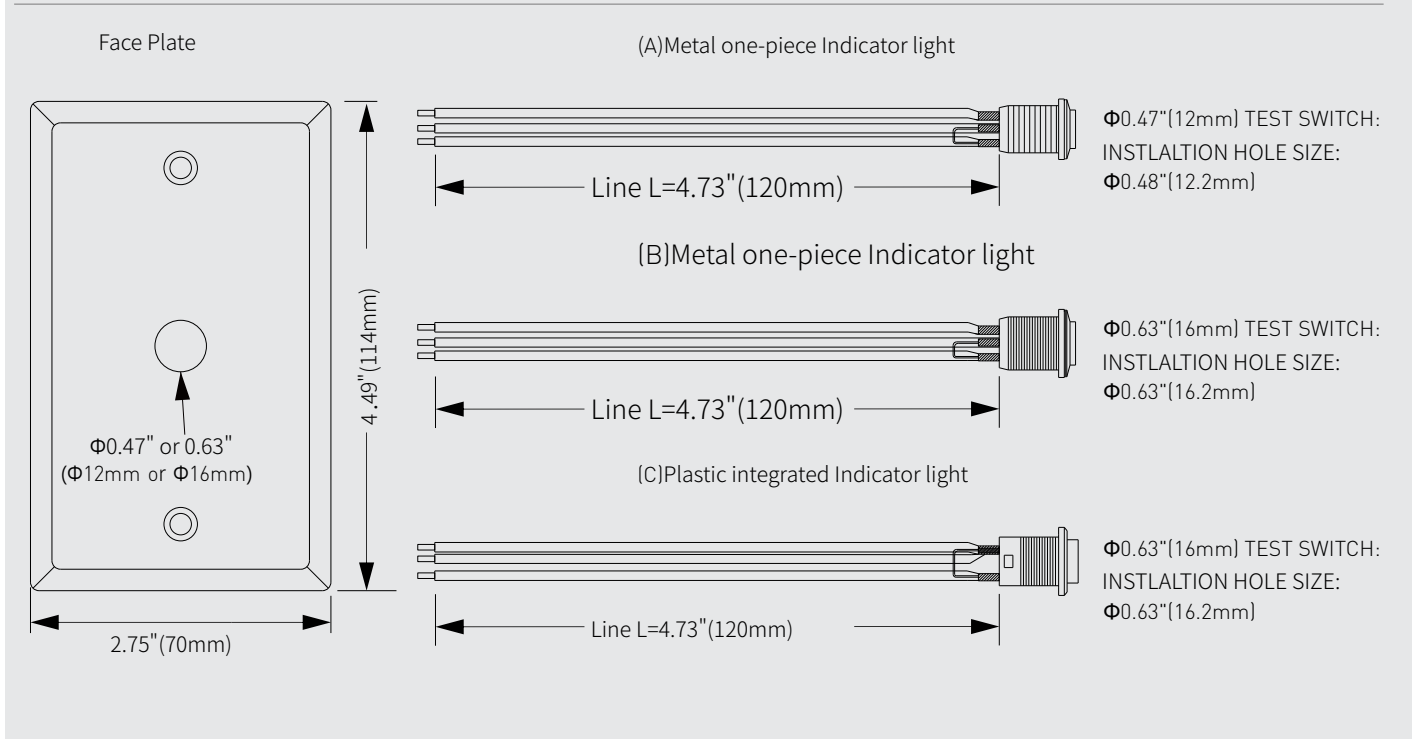
- > After wiring is complete, check if the indicator light lights or not, which will indicate the battery's charging situation.
- > The battery in this unit may not be fully charged. A short-term discharge test may be conducted after the emergency driver has been charging for 1 hour. Charge for 24 hours before conducting a long-term discharge test.

SAVE THESE INSTRUCTIONS

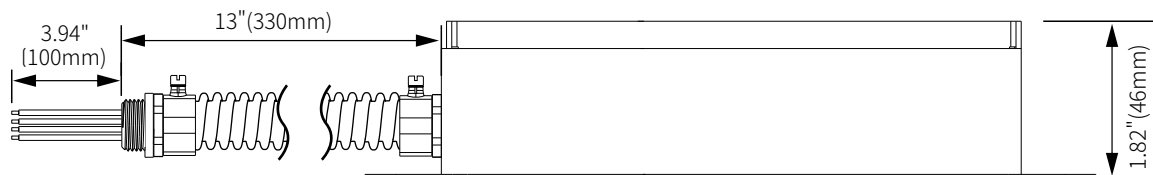
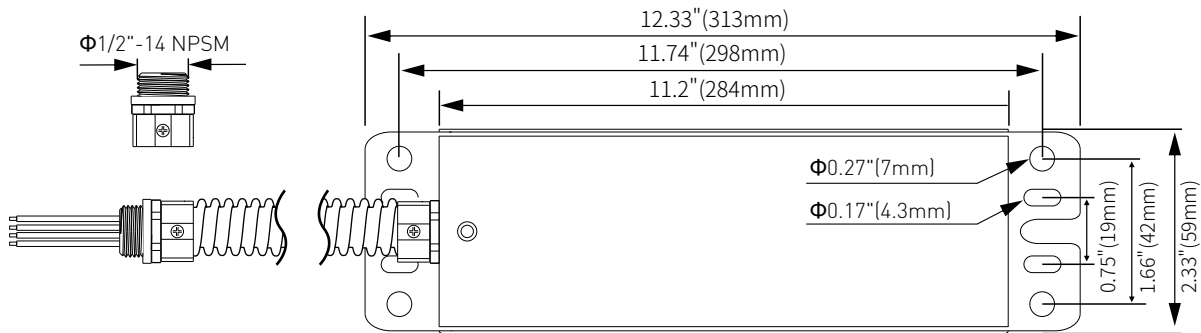


THIS PRODUCT CONTAINS A RECHARGEABLE LITHIUM BATTERY. THE BATTERY MUST BE RECYCLED OR DISPOSED OF PROPERLY TO PREVENT FIRE.

OPTIONAL ACCESSORIES



DIMENSIONS



► WIRING DIAGRAM

CAUTION: The LED fixture must be integrated with 0-10V driver, when LED fixture power is more than Emergency backup unit power. This emergency driver can only be applied to LED luminaires with an input voltage of 347-480VAC. If the mains power is up to 480VAC, the maximum input voltage of the LED driver of the fixture must be 480VAC. For other voltages, please consult the manufacturer.

FIG A. without dimmer & sensor

NOTE: FOR LED FIXTURE' S POWER ≥ EMERGENCY LED DRIVER' S

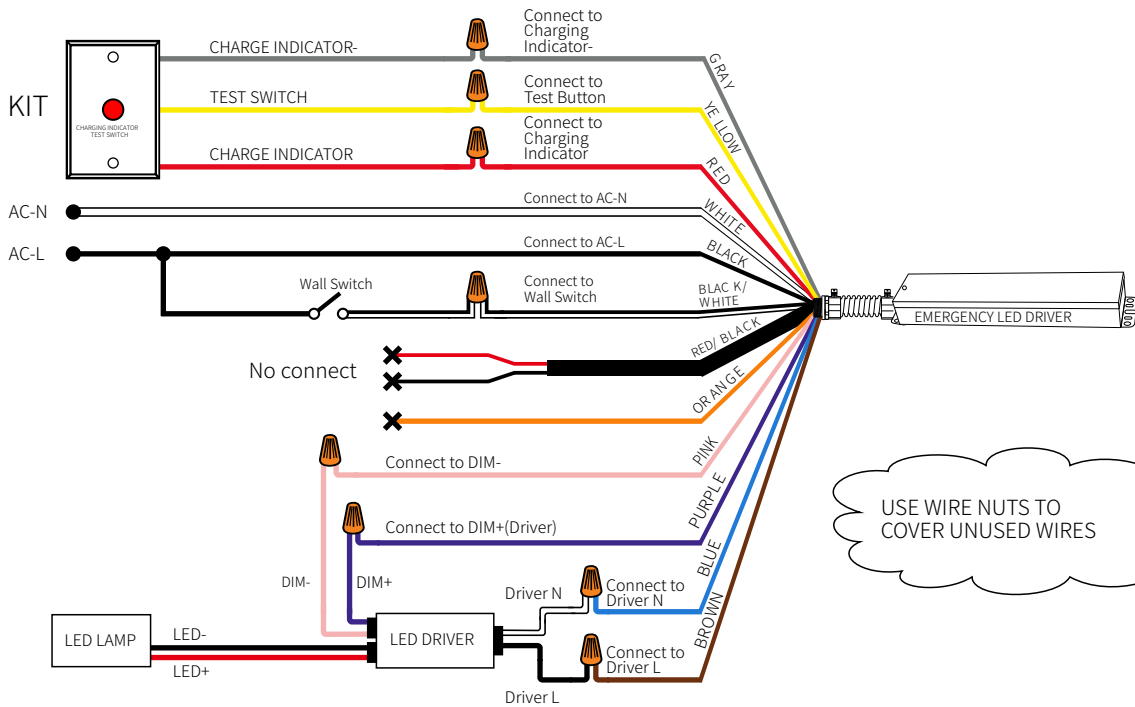


FIG B. with dimmer

NOTE: FOR LED FIXTURE' S POWER ≥ EMERGENCY LED DRIVER' S

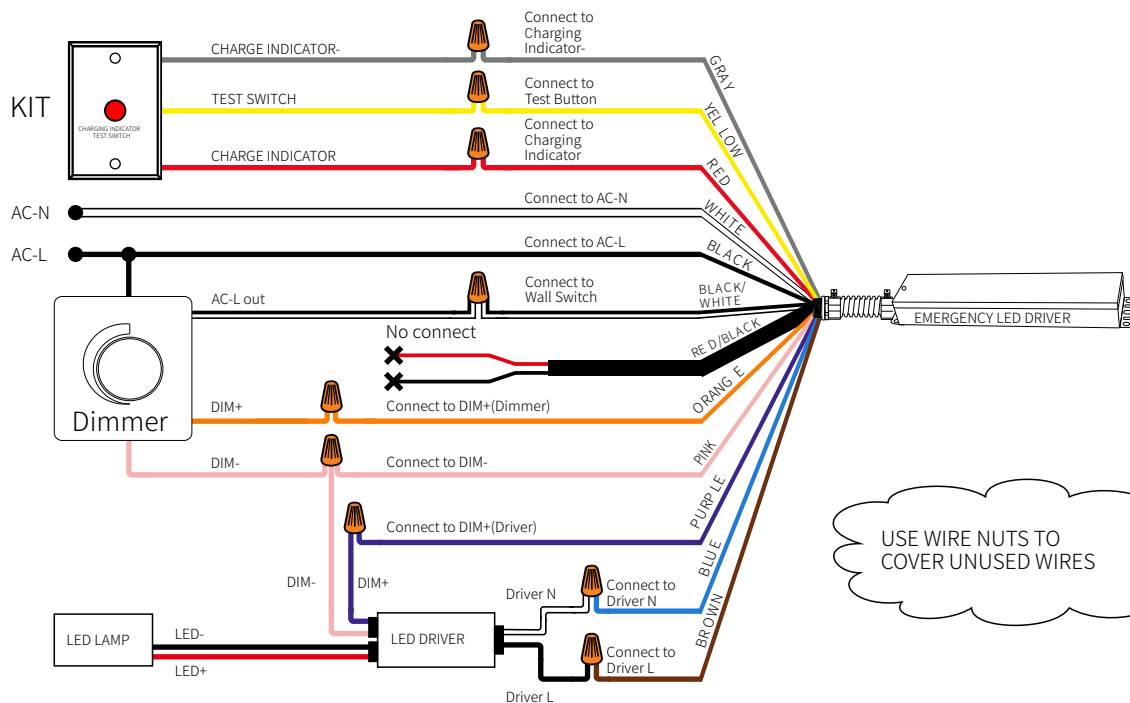


FIG C. with DC sensor

NOTE: FOR LED FIXTURE'S POWER > EMERGENCY LED DRIVER'S

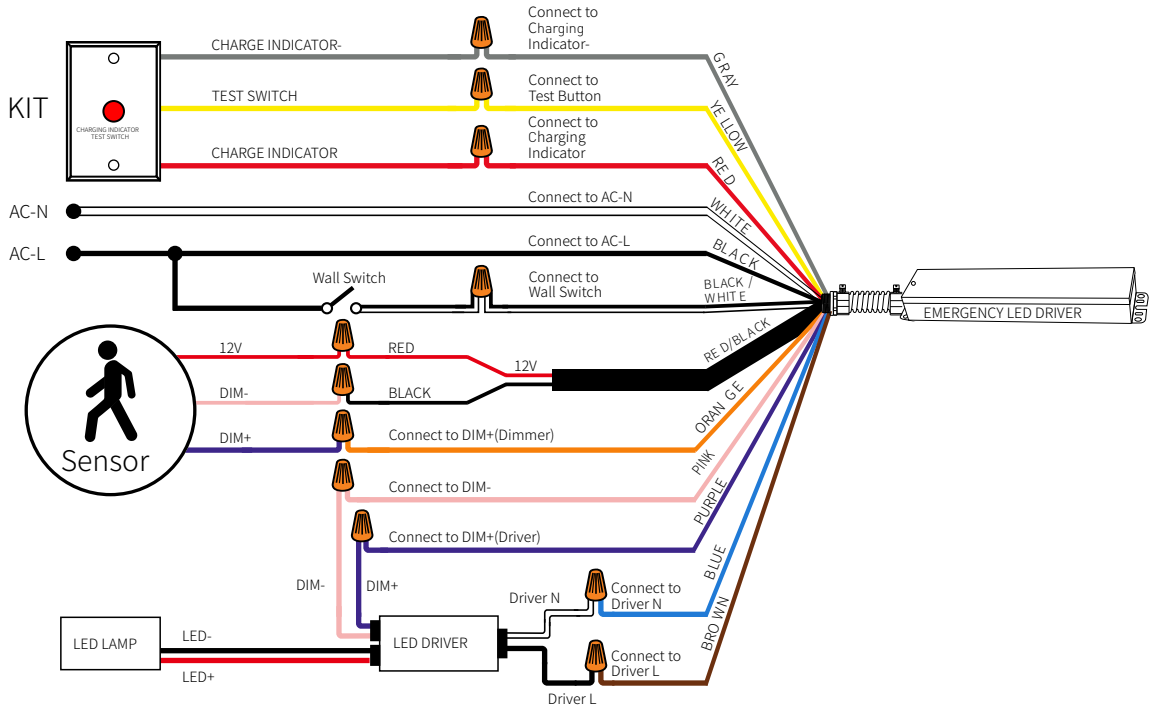
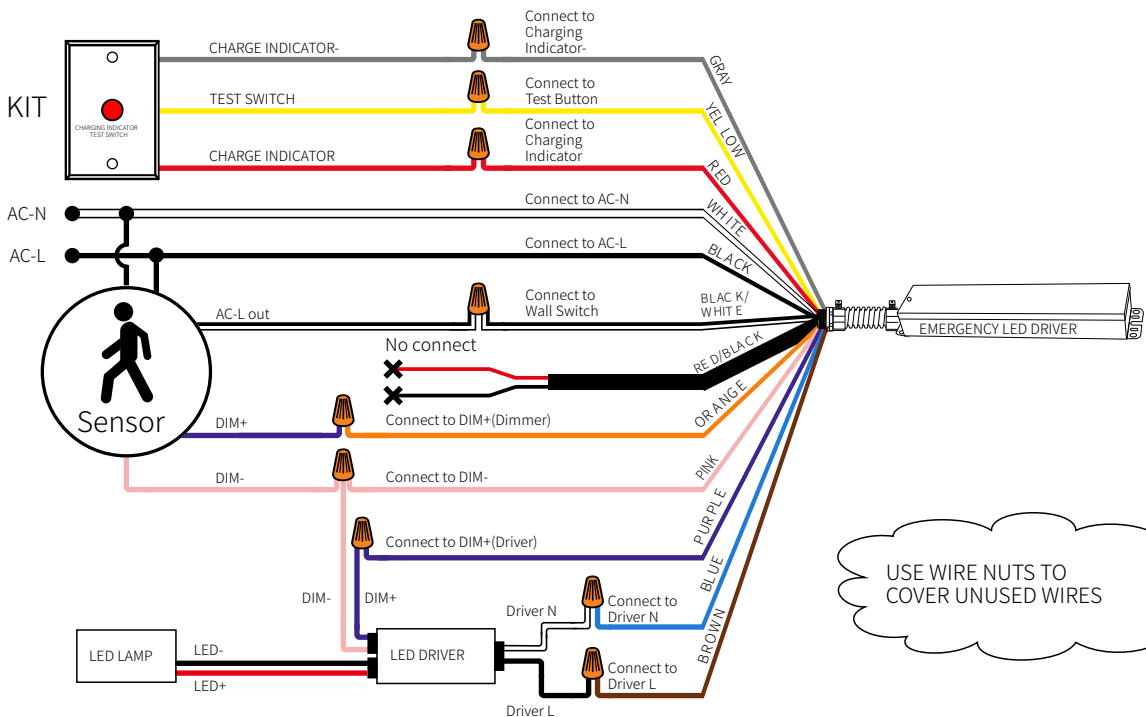



FIG D. with AC sensor

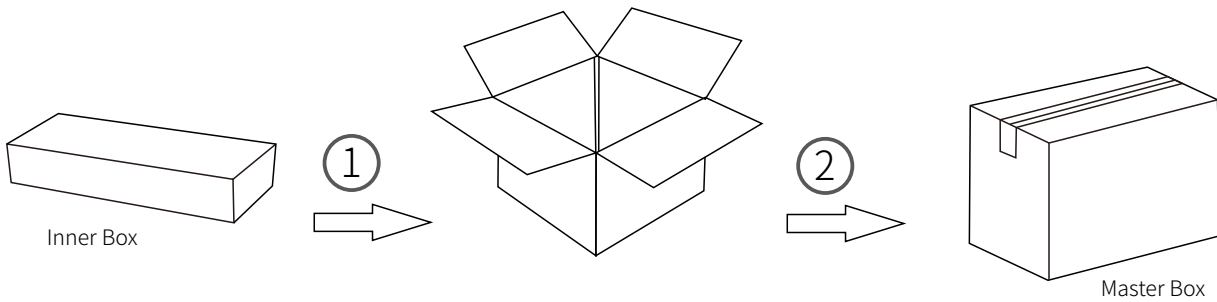
NOTE: FOR LED FIXTURE'S POWER ≥ EMERGENCY LED DRIVER'S



► OPERATION(INDICATOR STATUS)

Mode	Test Switch Operation	Indicator Status	Comment & Solutions
AC MODE (1)	NO Press	ON(no flashing)	Emergency led driver is charging
AC MODE (2)	Press once	2s ON and 2s OFF (slow flashing)	Emergency led driver is conducting a 30s short-term emergency test,After 30 seconds,it will automatically restore to normal charging mode
AC MODE (3)	Press twice (2s) in sequence	2s ON and 2s OFF (slow flashing)	Emergency led driver is conducting a long-term emergency test until battery is fully discharged
EMERGENCY MODE	NO Press	2s ON and 2s OFF (slow flashing)	Emergency led driver is conducting a long-term emergency test until battery is no power
ABNORMAL	When flashes (50ms) ON and (50ms) OFF fast, the emergency backup pack is abnormal. Contact the manufacturer.		
WARNING Risk of Electric Shock			Note:Please press once test switch to make certain the battery is turned off, before installation, maintenance, storage or shipping.

► PACKAGE



Power	Length	Width	Height	G.W(kg)	N.W(kg)	QTY(pcs)
40W	16.23"(412mm)	11.26"(286mm)	10.24"(260mm)	15.7	12.2	10