



**100-347Vac**

15W/20W/25W



# EMERGENCY LED DRIVER

## LSED-HMXXD-YYY



**HIGH VOLTAGE OUTPUT**  
175VDC

**CONSTANT POWER**  
EMERGENCY OUTPUT

**Self Test**

**CAUTION:** The Emergency LED driver must connect to 0/1-10V dimming wires(DIM+,DIM-) of the fixture if the LED luminaire power is exceed the emergency LED driver power.

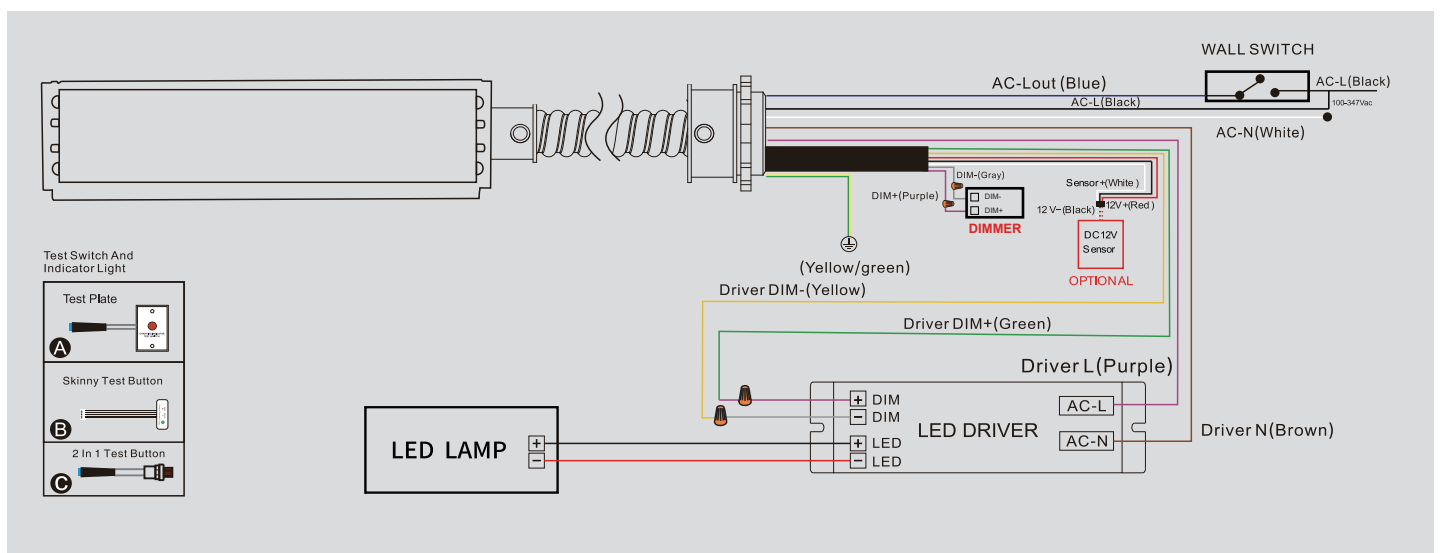
|                |  |                     |                                   |
|----------------|--|---------------------|-----------------------------------|
| MODEL NO.      | LSED-HMXXD-YYY   | Discharging Time    | ≥90 Minutes                       |
| Input Voltage  | 100-347Vac , 50/60Hz   | Charging Time       | ≥24 Hours                         |
| Input Current  | ≤100mA   | Conduit length      | 17.7"(450mm)                      |
| Input Power    | 8W max   | Battery             | Li-ion Battery                    |
| Output Voltage | ≤175Vdc  | Full Warranty       | 5 Years                           |
| Output Power   | 15W/20W/25W  | Dimensions          | 12.91"x1.97"x0.94"(328x50x23.8mm) |
| Application    | ① ≤150W(0/1-10V Dimmable Fixture)<br>② ≤25W LED Lamps without dimming function | Ambient temperature | 0 C to+50 C (32°F to122°F )       |

## Wiring Diagram

### Wiring 1 : For LED Driver With Input Power Higher Than Emergency Output Power

#### 0/1-10V Dimmable LED Driver + Dimmer Switch

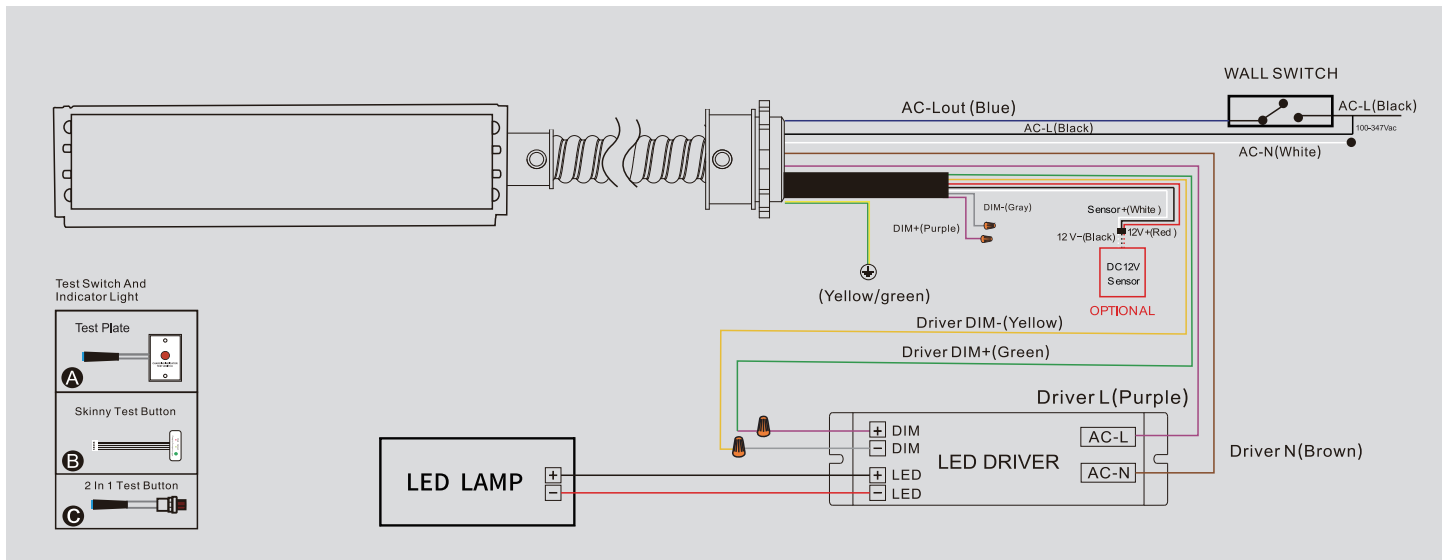
Emergency Driver Dim+(Green) , Driver Dim-(Yellow) Have to connect with LED driver DIM+ and DIM-



## Wiring 2 : For LED Driver With Input Power Higher Than Emergency Output Power

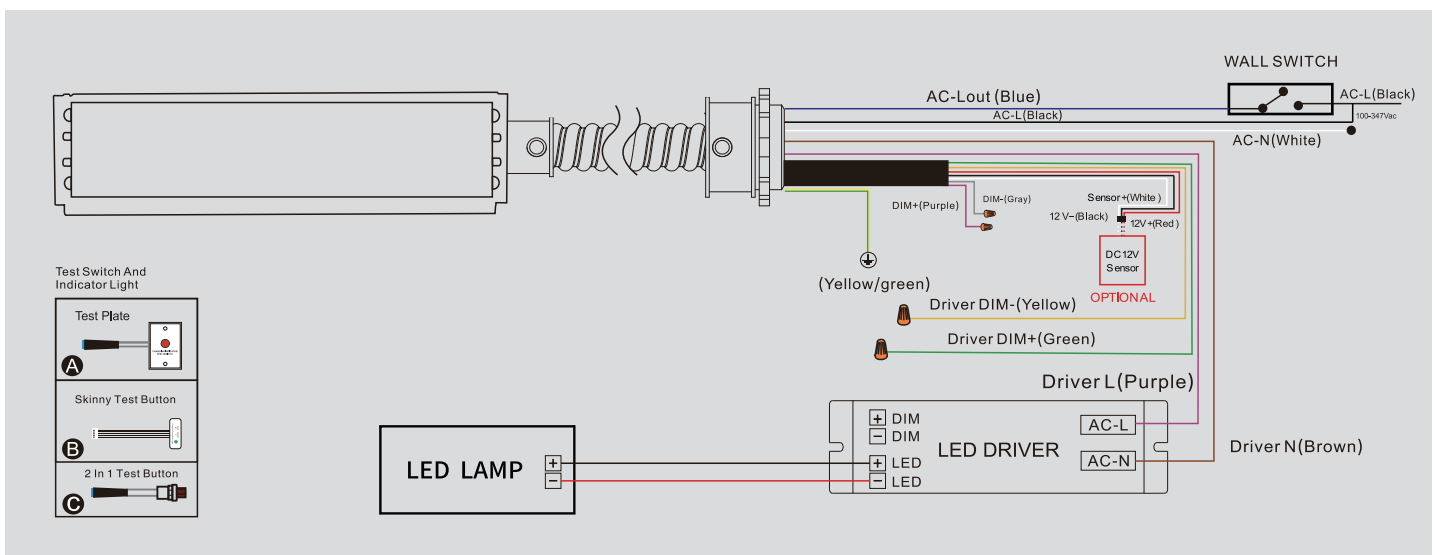
### 0/1-10V Dimmable LED Driver + Wall Switch

Emergency Driver Dim+(Green) , Driver Dim-(Yellow) Have to connect with LED driver DIM+ and DIM-



## Wiring 3 : For LED Driver With Input Power Less Than Emergency Output Power

### NON Dimmable LED Driver



#### IMPORTANT SAFEGUARDS

When using electrical equipment, basic safety precautions should always be followed including the following

**PLEASE READ AND FOLLOW ALL SAFETY INSTRUCTIONS.**

**IMPORTANT:** Before installing, make certain the AC Power to the fixture is off to avoid electric shock.

**IMPORTANT:** Do not connect battery connector until all wires are completely installed and before the AC power to the fixture is back on.

**IMPORTANT:** An un-switched AC power source of 100VAC to 347VAC is required. This device is designed for use in fixtures listed for dry and damp locations.

**IMPORTANT:** Verify that all replacement lamp types marked on the installed luminaire are also identified as suitable for use with this emergency battery pack.

**IMPORTANT:** It is recommended to charge the battery within half a year to prevent over discharge

**CAUTION:** Make sure all electrical connections conform to the National Electrical Code and all applicable local regulations.

**CAUTION:** Do not let power supply cords touch hot surfaces.

**CAUTION:** Do not mount near gas or electric heaters