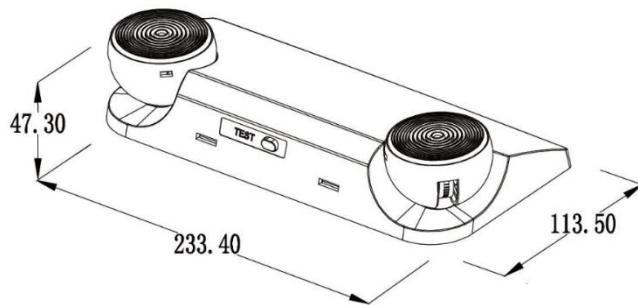


LS -EML032 LED Emergency Light

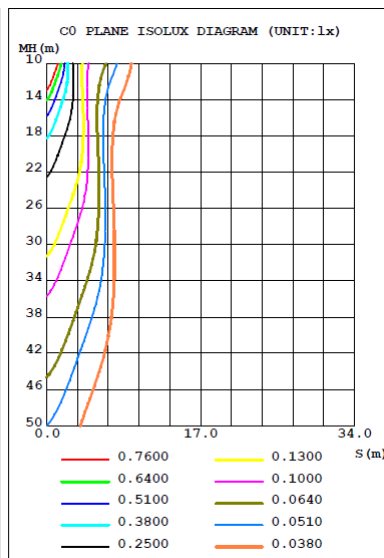
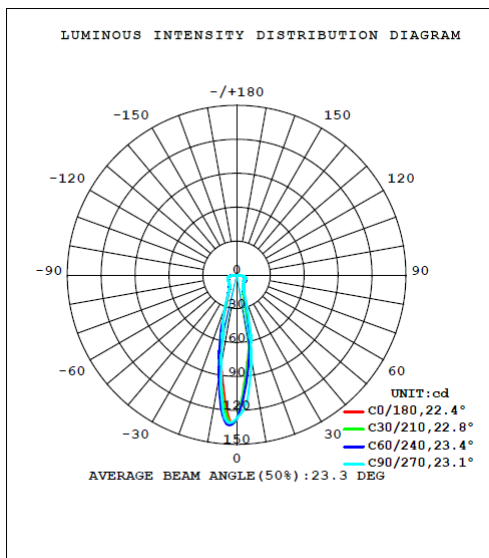


FEATURES

- Injection-molded thermoplastic ABS housing
- UL-94V-0 flame rating, fire-resistant
- Input Voltage: 120/277V
- Power consumption: 0.6W max.
- Output: 2W max.
- 3.6V Nickel Cadmium Battery
- Charging time: 24 hours
- Discharge time: 90 minutes
- Operating temperature: 0°C~40°C
- Dimension: 233.4*113.5*47.3mm



PHOTOMETRIC



ORDER INFORMATION

Model	Voltage	Emergency Duration	Certificate
LS -EML032	120/277V	90 minutes	UL, CUL
LS -EML032D	110-240V	90 minutes	N/L