



LED Grow Light

Date:..... Location:

Product:..... Project:.....

Quantity:..... Catalog#



Advantage

- Full spectrum with enhanced red for full grows
- Efficacy is up to 2.7μmol/J.
- Easy to install, just plug and play.
- Using Sundopt driver designed and manufactured by Sosen;

Applications

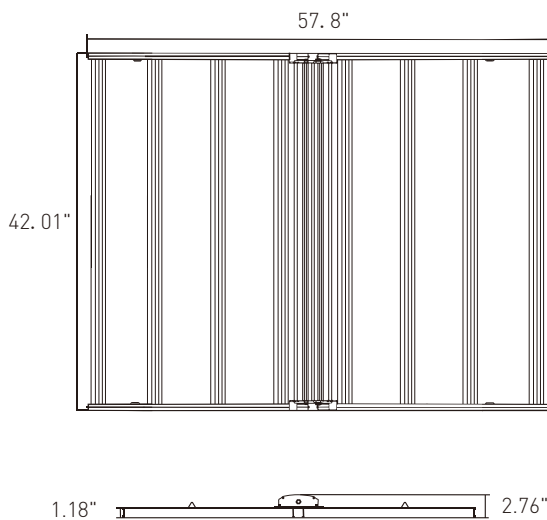
Grow Lighting



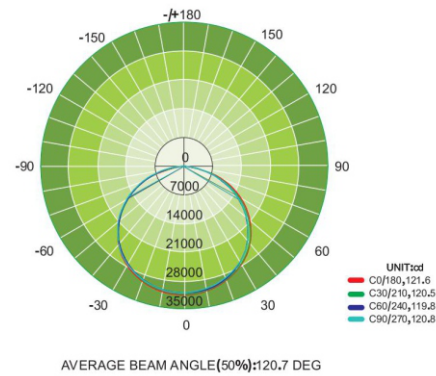
Electric Characteristic

Model No.	GLMB02-06606V1CRPZ	GLMB02-07206V1CRPZ	GLMB02-010006V1CRPZ
Input Power	660W	720W	1000W
PPF	1782 $\mu\text{mol/s}$	1944 $\mu\text{mol/s}$	2700 $\mu\text{mol/s}$
Efficacy	2.7 $\mu\text{mol/J}$	2.7 $\mu\text{mol/J}$	2.7 $\mu\text{mol/J}$
Weight	24lbs/10kg	31.46lbs/12kg	32.2lbs/14.5kg
AC Input Voltage	120-277 AC,50/60Hz		
Mounting Height	$\geq 6''$ (15.2cm) Above Canopy		
Viewing Angle	130 °		
Thermal Management	Passive		
Max. Ambient Temperature	90°F/35°C		
Dimming	0-10V Dimmable		
Total Harmonic Distortion(THD)	<15%		
Warranty	5 years		

DIMENSION



Photometric s

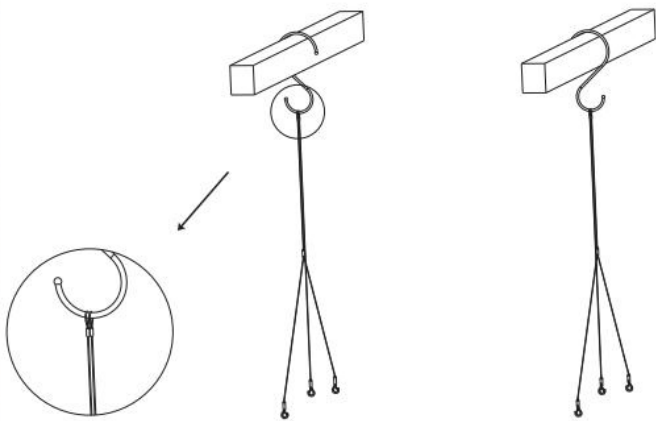


660W

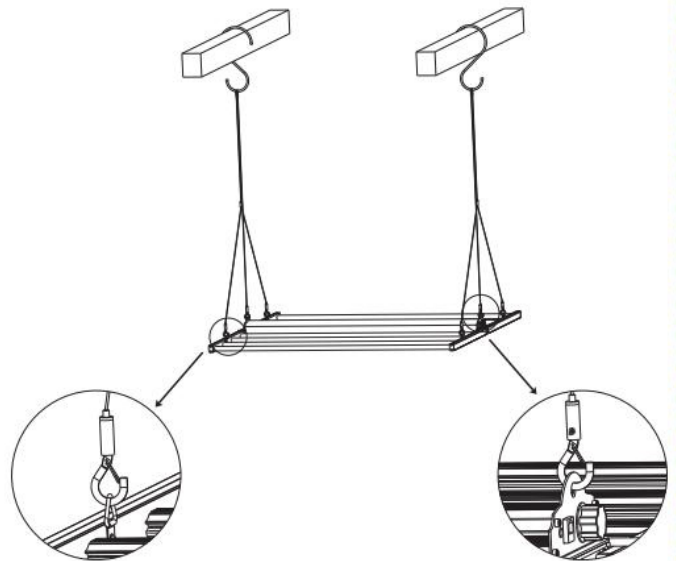
► Installation steps:

The Osram red chips are fragile, please don't touch it !

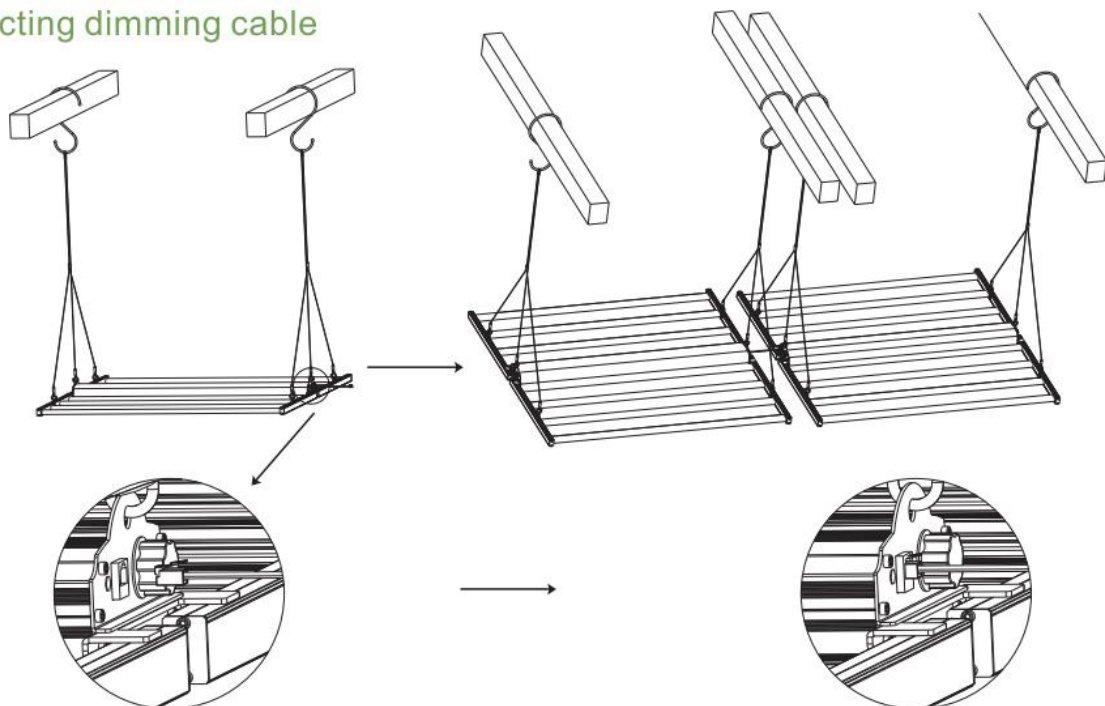
1 Install the string on the beam



2 Assembled light

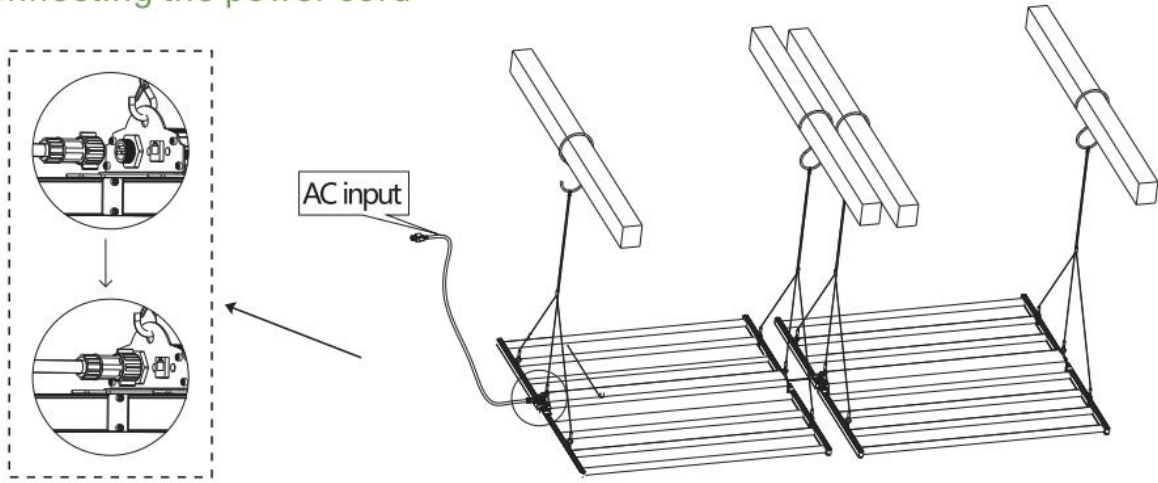


3 Connecting dimming cable



The connections of the second light refers to the first light

4 Connecting the power cord



5 All set

