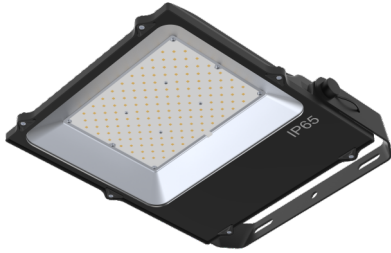




V2 Flood LED Luminaire



Date: Location:

Product: Project:

Quantity: Catalog#

FEATURES

- IP65 rated
- Easy installation and maintenance
- Anti-corrosion and dust proof
- 50,000 hours lifetime

SUITABLE APPLICATIONS

- Area Lighting
- Parking lot Auto Dealerships
- Shopping malls
- Building lighting
- Warehouse lighting
- Wall lighting

CONSTRUCTION:

Heavy die-cast aluminum alloy housing with black powder-coated finish. Aluminum reflector and Tempered Glass cover

ELECTRICAL:

Available as 120-277V input. -36°C to 60°C.

OPTICAL SYSTEM:

Lumileds 3030LED chips. High quality tempered glass optics.120° beam angle.

INSTALLATION&MOUNTING:

Angle-adjustable U Bracket mount for wall or square pole mounting.

WARRANTY:

5-year limited warranty. Actual performance may differ as a result of end-user environment and application.

PERFORMANCE

Model NO	Power Factor	Wattage	Voltage/CurrentInput		Light Efficiency	Kelvin Options
			120V	277V		
LS-FLC100W-50K	0.9	100W	0.83A	0.36A	140LM/W	3000K/4000K/5000K
LS-FLC150W-50K	0.9	150W	1.25A	0.54A	140LM/W	3000K/4000K/5000K
LS-FLC200W-50K	0.9	200W	1.66A	0.72A	140LM/W	3000K/4000K/5000K

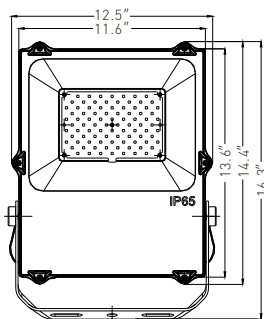
V2 Flood LED Luminaire

LIGHTING

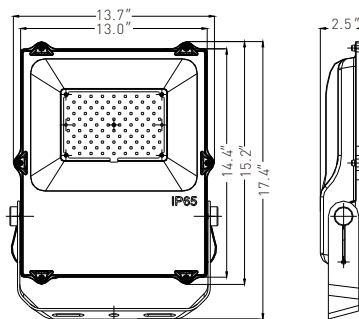
Electric Characteristic

Specification/Model	LS-FLC100W-50K	LS-FLC150W-50K	LS-FLC200W-50K
LED Driver	UL listed KHM Brand		
Input power	100W	150W	200W
Lumens output	14000LM	21000LM	28000LM
Efficiency	140LM/W	140LM/W	140LM/W
CRI	>72	>72	>72
Color Temperature	5000K	5000K	5000K
Input voltage	120-277V/AC	120-277V/AC	120-277V/AC
Light distribution type	120D	120D	120D
Working temperature	-36+60°C	-36+60°C	-36+60°C
Junction temperature	<75°C	<75°C	<75°C
lamps efficiency	≥90%	≥90%	≥90%
Certificate	ETL CETL DLC	ETL CETL DLC	ETL CETL DLC
Equivalent	150-300W MH/HPS	300-450W MH/HPS	450-800W MH/HPS

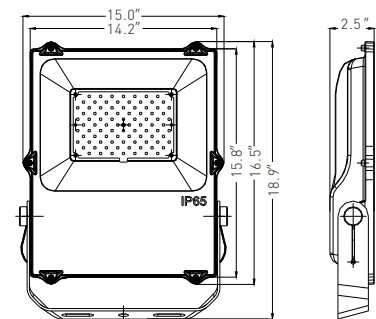
DIMENSION



LS-FLC100W-50K



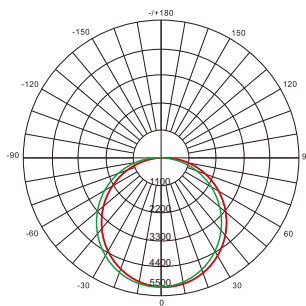
LS-FLC150W-50K



LS-FLC200W-50K

DISTRIBUTION DIAGRAM

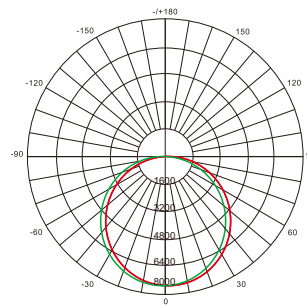
LS-FLC100W-50K



AVERAGE BEAM ANGLE(50%): 111.1°

UNIT:CD
 Test Number:LS-FLC100W-50K
 Lumens:14000LM
 Test Number:100W
 Test Number:5000K
 - C0/180,112.9
 - C30/210,111.5
 - C60/240,109.7
 - C90/270,110.1

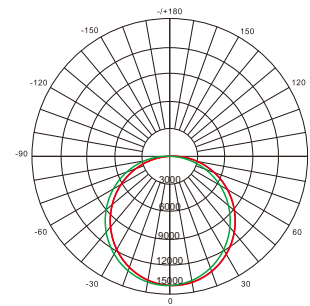
LS-FLC150W-50K



AVERAGE BEAM ANGLE(50%):111.9°

UNIT:CD
 Test Number:LS-FLC150W-50K
 Lumens:21000LM
 Test Number:150W
 Test Number:5000K
 - C0/180,113.5
 - C30/210,111.8
 - C60/240,111.9
 - C90/270,110.3

LS-FLC200W-50K



AVERAGE BEAM ANGLE(50%): 112.9°

UNIT:CD
 Test Number:LS-FLC200W-50K
 Lumens:28000LM
 Test Number:200W
 Test Number:5000K
 - C0/180,114.5
 - C30/210,112.2
 - C60/240,111.6
 - C90/270,113.3

V2 Flood LED Luminaire

INSTALLATION:

