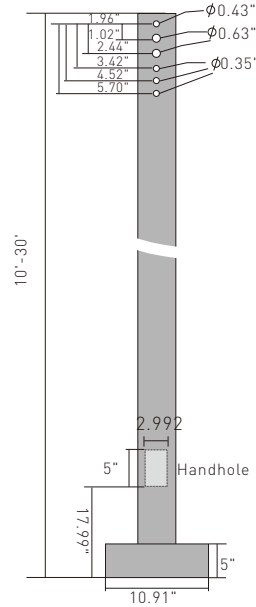
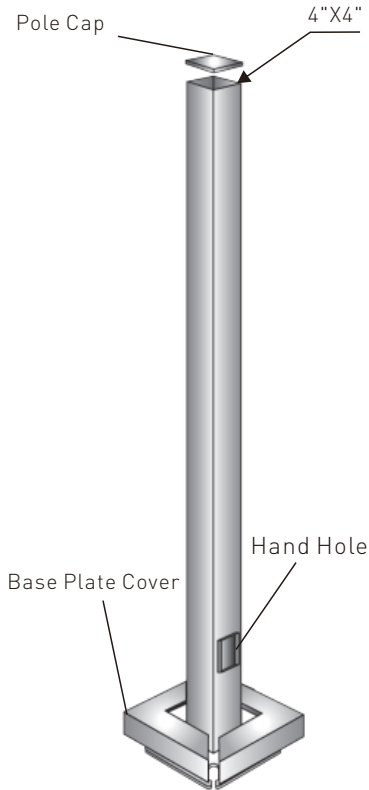




4X4" 20FT & 25FT Square Pole

Date:..... Location:.....
 Product:..... Project:.....
 Quantity:..... Catalog#.....



The LED Straight Square Steel poles are built from high strength steel tube and are available side drilled for arm mounted area lighting luminaires or with tenon mounts of flood and post top luminaires. Typical area lighting applications include retail centers, industrial parks, schools and universities, public transit and airports, office buildings and medical facilities. Mounting heights of 10 to 30 feet can be used based on selected luminaires, application.

Finish:

Textured architectural bronze powder coat finish, baked to ensure maximum paint adhesion, hardness and durability.

Anchor Bolts:

Anchor Bolts are Included.

Hand Hole and Cover included::

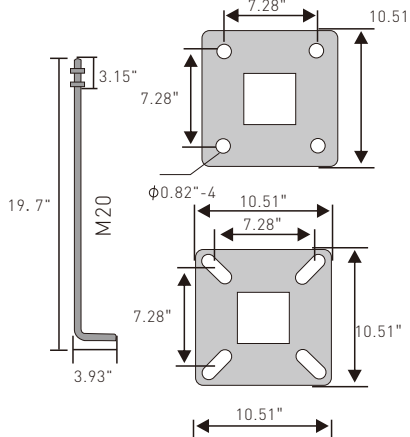
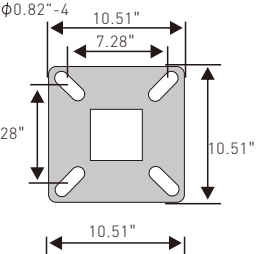
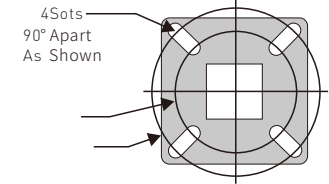
Allows electrical workers to hook-up the wires from underground to the wires that power the light above.

Base Cover:

Poles are provided with a two-piece formed steel base cover that is easily assembled and fitted over pole base.

Pole Length:

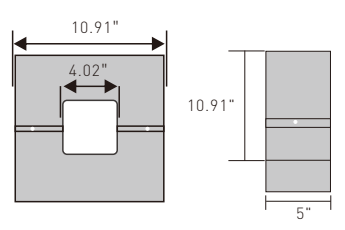
Poles are available in standard lengths and can be custom cut to order. Please Consult Factory.

Base Mounting Screw

Finish: Dark Bronze

Before installing the lamp pole, the installation hook should be buried underground and fixed by cement. After fixing, the lamp pole should be fixed by locking screws and base installed.



Base Shield

Finish: Dark Bronze

The 5" Installation of base shield is used to protect the base after fixing the lamp pole, so that the lamp pole base is not damaged, thereby increasing the service life of the lamp pole.

Model No	Pole Dimensions			Base Plate	Anchor Bolts	
	Nominal Mounting Height	Wall Thick (ga)	Structural Weight (lb)	Bolt Circle Diameter (in)	Dia x Length x Hook (in)	Projection (in)
P20F4NSQ	20'	11	200	8.0 - 9.0	0.75 x 17.00 x 3.00	3.25 - 3.75

Model No	Pole Dimensions			Base Plate	Anchor Bolts	
	Nominal Mounting Height	Wall Thick (ga)	Structural Weight (lb)	Bolt Circle Diameter (in)	Dia x Length x Hook (in)	Projection (in)
P25F4NSQ	25'	11	225	8.0 - 9.0	0.75 x 17.00 x 3.00	3.25 - 3.75

Maximum EPA with 1.3 Gust Factor (ft ²)					Pole weight (lbs)
70mph	80mph	90mph	110mph	120mph	
4.6	3.0	1.7	0.7	0.7	183

	<p>3" ROUND BASE</p>		<p>SFA90D</p>
	<p>4" ROUND BASE</p>		<p>4" SQUARE BASE</p>
	<p>5" ROUND BASE</p>		<p>5" SQUARE BASE</p>
	<p>SFA01</p>		<p>RPA01</p>
	<p>BHT180D</p>		<p>TN2H180D</p>
	<p>BHSQ3N2H</p>		<p>BH3N3H</p>
	<p>BH3N3H-2</p>		<p>TN4 CAP*2</p>
	<p>BH3N4H</p>		