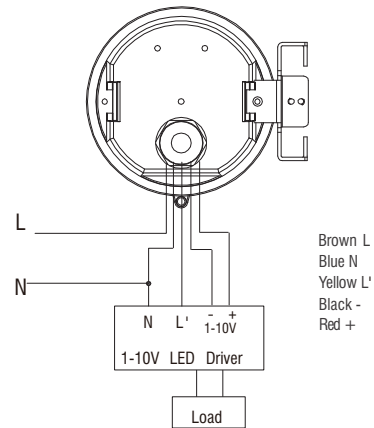


IP65 Highbay installation remote control Settings HD406VRH



On/off control



Stand-by dimming level



Detection area



Remote control setting



Hold-time



10-15M Highbay altitude



Daylight threshold



warranty
5 years



Stand-by period

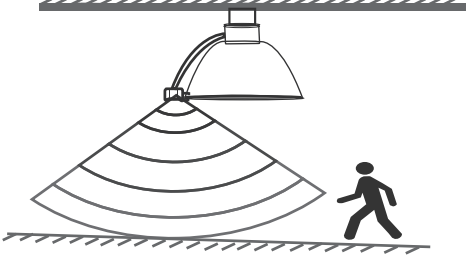
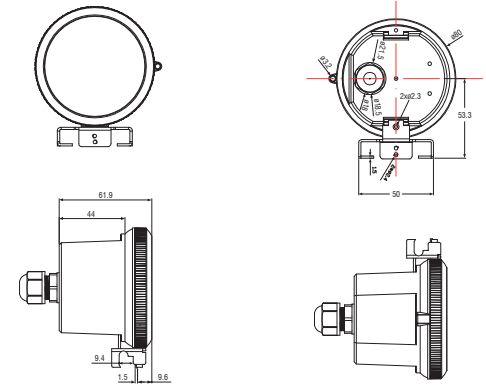
01 Technical data

Operating voltage	120-277VAC, 50Hz/60Hz
Switching capacity	Max, 3.0A@120Vac, 50/60Hz; Max, 2.0A@277Vac, 50/60Hz
Standby power	< 1W
Detection area	25%/50%/75%/100%
Hold-time	5s/30s/1min/3min/5min/10min/20min/30min
Daylight threshold	2Lux/10Lux/30Lux/50Lux 80Lux/120Lux/Disable
Stand-by period	0s/10s/30s/1min/5min/10min/30min/+∞
Stand-by dimming level	10%/20%/30%/50%
Microwave frequency	5.8GHz±75MHz
Microwave power	< 1mW
Mounting height	Max. 15m
Detection range	Max. (D x H): 16m x 15m
Control line	Brown L, Blue N, Yellow L', Black -, Red +
Operating temperature	-35°C ~ +60°C
IP rating	IP65
Detection angle	150° (wall installation), 360° (ceiling installation)
Safety standard	EN61347-1 EN61347-2-13 EN60598-1

Note: Motion sensor setting and dimming setting please refer to remote control HD02R.

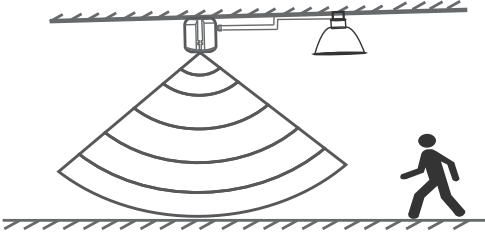
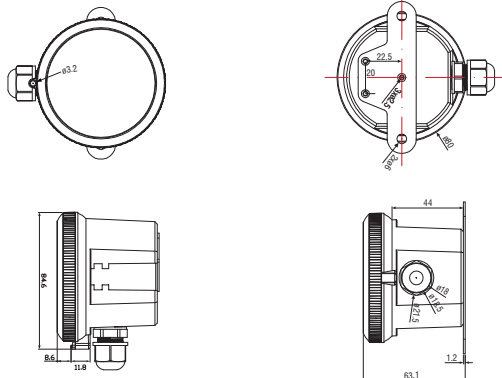
02 Installation Method

HD406VRH (A)

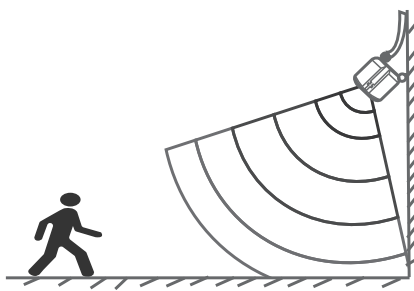
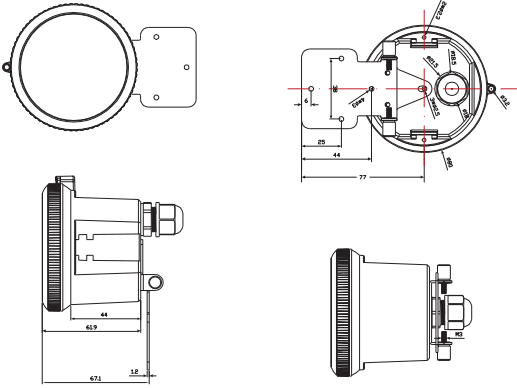
Unit:mm

HD406VRH (B)

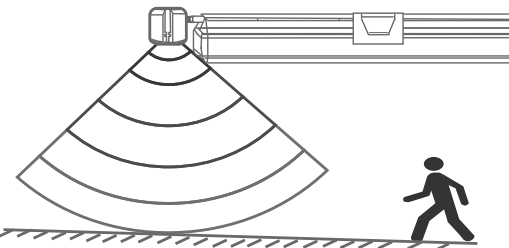
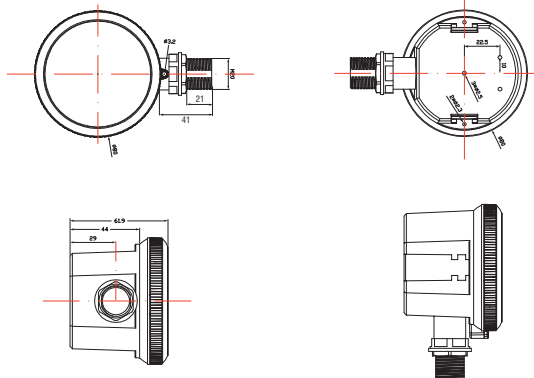
Unit:mm

HD406VRH (C)

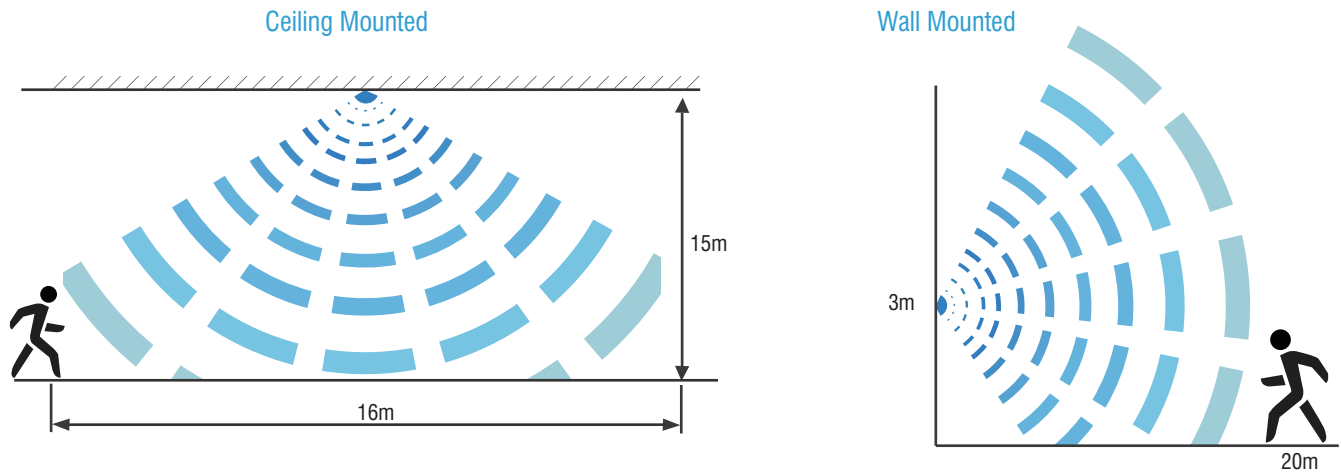
Unit:mm

HD406VRH (D)

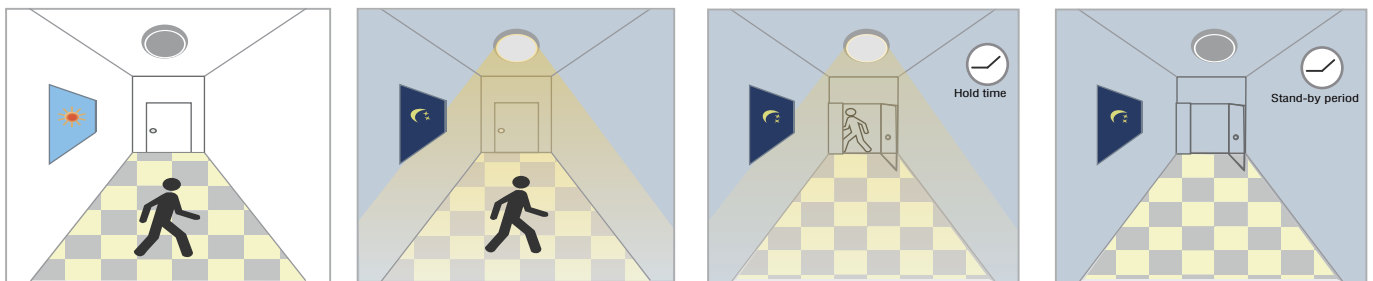



Unit:mm

03 Detection coverage



04 Application Function Demo - Dimmable control/Corridor function



With sufficient daylight, even when motion detected, light remains OFF.

With insufficient daylight, when motion detected, light ON.

After last detection, the light will be dimmed down to the stand-by dimming level(10%,20%,30% or 50%) after holdtime.

After the stand-by period, light OFF.