

LED SION 8FT LED bypass Tubes



Product Description

LED SION 8FT Led Tube lights has half aluminum and half PC cover design High luminous efficiency 130LM/W. robust components and strong. Convention installation for replacing traditional fluorescent 8 FT tubes, excellent LED driver and thermal management, High-performance illumination that lasts 100,000HRS. with typical energy savings of 80%.



Applications:

Indoor warehouses, Shopping mall, or other commercial areas.



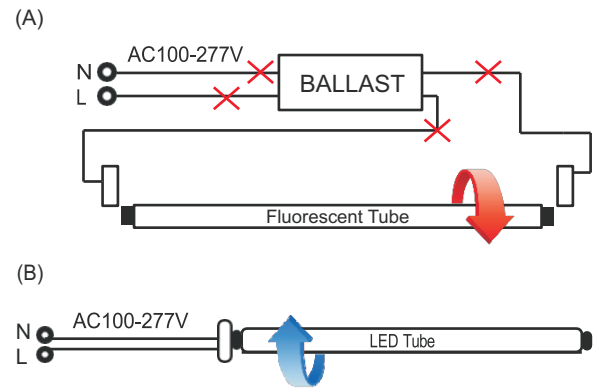
Electric Characteristic

| | |
|-----------------------|------------------------------------|
| Specification/Model | ZS-T8-36P8FT-FA8(5000K) |
| Operation | Ballast Bypass/Double-Ended Wiring |
| Input power | 36W |
| Lumens output | 4680LM |
| Lumen efficiency | 130LM/W |
| CRI | >80Ra |
| Color Temperature | 3000K/4000K/5000K/6500K |
| Input voltage | 100-277V |
| Frequency | 50-60HZ |
| Operation Temperature | -20+50°C |
| Junction Temperature | <75°C |
| DRIVER Efficiency | 90% |
| Certificate | UL,cUL,DLC |
| PIN/BASE Option | SINGLE PIN, R17D, DOUBLE PIN |

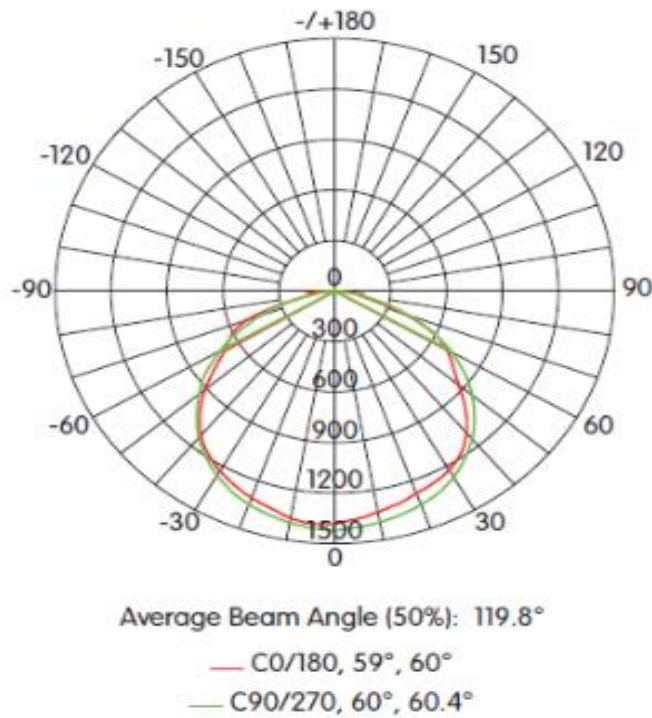
Installation Guide

Retrofit Procedure:

1. Turn OFF power to the fixture at the breaker panel before installation.
2. Open the diffuser from the light fixture.
3. Remove the fluorescent tubes ballasts and dispose of these properly as they may have mercury.
4. The tube can be wired two sides power as diagram (A)
5. If tube specially marked single side power, please wire them as diagram (B)
6. Replace the cover over the wiring channel.
7. Install the LED tubes and close the diffuser.
8. Switch ON power to the fixture at the breaker panel



Photometrics



Projected LED Lumen Maintenance

| | | | |
|--------------------------|---|-------|-------|
| Operating hours | 0 | 25000 | 50000 |
| Lumen maintenance factor | 1 | 0.91 | 0.8 |

Data references the extrapolated performance projections for the Tube LED Lights platform in a 25°C ambient, based on 10,000 hours of LED testing (tested per IESNA LM - 80-08 and projected per IESNA TM-21-11).

Dimensions



After Sale Service:

The product refers to electricians knowledge. Please don't disassemble it by yourself. If any quality problem happens, please contact the factory for warranty details.

NOTE: Actual performance may differ as a result of end-user environment and application. All values are without notice.