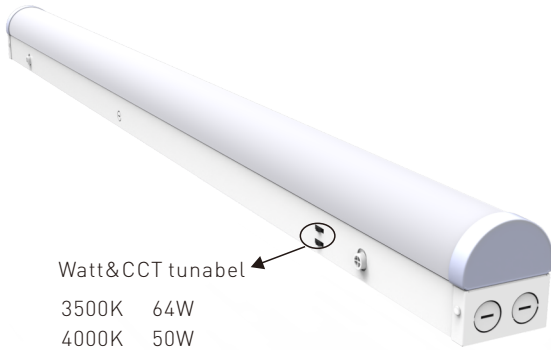




8ft 3Watts 3CCT Linear Strip LED



Watt&CCT tunabel

3500K 64W
4000K 50W
5000K 40W

Date:..... Location:

Product:.....Project:.....

Quantity:..... Catalog#

FEATURES

- 3Watts 3CCT, wide design strip, aluminum end cap, IP40 rated
- Surface mount or hanging mount, Easy installation.
- Corrosion and rust proof
- 50,000 hours lifetime, ETL DLC PREMIUM

SUITABLE APPLICATIONS

- Factory lighting
- Store lighting
- Shopping mall lighting
- Building lighting
- Warehouse lighting
- Baseroom lighting

CONSTRUCTION:

All steel surface are painted after fabrication with high gloss backed white matte powder painted;
Extruded opal prismatic material with UV protection;
End Caps: white aluminum material;
High transmission Purity PC cover for best lumen output.

OPTICAL SYSTEM:

High brightness Lumileds LED chips. High quality transmission pc optics. 120° beam angle.

WARRANTY:

5-year limited warranty. Actual performance may differ as a result of end-user environment application.

ELECTRICAL:

Available as 120-277V input. -4°F~104°F

INSTALLATION&MOUNTING:

Surface mount / Hanging Mounting with accessories.

PERFORMANCE

Model NO	SIZE	Watt&tunabel	Voltage	Light Efficiency	CCT&Tunable
SS-SP05-8FT64/50/40W-H-TCP(XX)	8FT	64W/50W/40W	100-277V	130LM/W	3500K/4000K/5000K

➤ Electric Characteristic

Specification/Model	SS-SP05-8FT64/50/40W-H-TCP(XX)		
LED Driver	UL Driver 0-10V dimmable		
Input power	40W	50W	64W
Lumens output	5200LM	6500LM	8320LM
Efficiency	130LM/W	130LM/W	130LM/W
CRI	>80	>80	>80
Color Temperature	3500K/4000K/5000K Tunable	3500K/4000K/5000K Tunable	3500K/4000K/5000K Tunable
Input voltage	120-277V/AC	120-277V/AC	120-277V/AC
Light distribution type	120D	120D	120D
Working temperature	-4°F~104°F	-4°F~104°F	-4°F~104°F
Junction temperature	<75°C	<75°C	<75°C
lamps efficiency	≥90%	≥90%	≥90%
Certificate	UL CUL DLC	UL CUL DLC	UL CUL DLC
Equivalent	40-80WMH/HP S	80-150WMH/HP S	150-220WMH/HP S

OPTIONAL ACCESSORIES

Emergency Battery
Model: LSED8W



3500K 4000K 5000K



CCT

35/40/50K CCT tunable

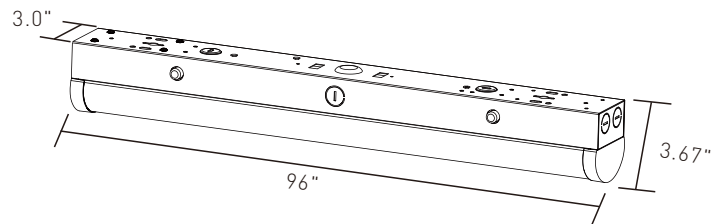
64W 50W 40W



Watt&tunabel

64W/50W/40W Watt&tunabel

➤ Electric Characteristic



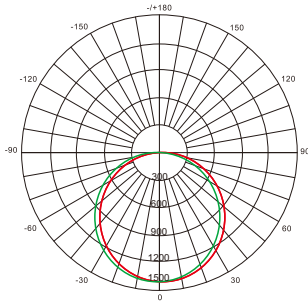
SS-SP05-8FT64/50/40W-H-TCP(XX)

➤ WARNING

1. The installation and maintenance must be completed by electricians or professionals.
2. Please cut off the power before installation and maintenance.
3. The thermally insulating material is not allowed to cover the fixture.
4. Please keep away from the corrosive substance, and keep the fixture dry and clean.
5. Working temperature: -4°F~104°F, storage temperature: -22°F~140°F.

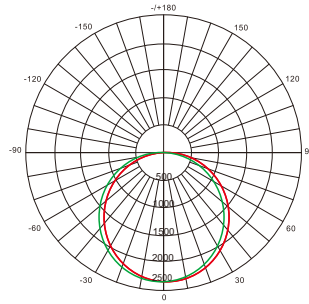
DISTRIBUTION DIAGRAM

SS-SP05-8FT64/50/40W-H-TCP(XX)



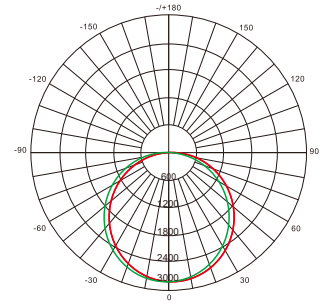
AVERAGE BEAM ANGLE(50%): 120°

UNIT:CD
 - C0/180,130.9
 - C30/210,130.5
 - C60/240,129.3
 - C90/270,129.1
 Lumens:8320 LM
 Test Number:64W
 Test Number:5000K



AVERAGE BEAM ANGLE(50%): 120°

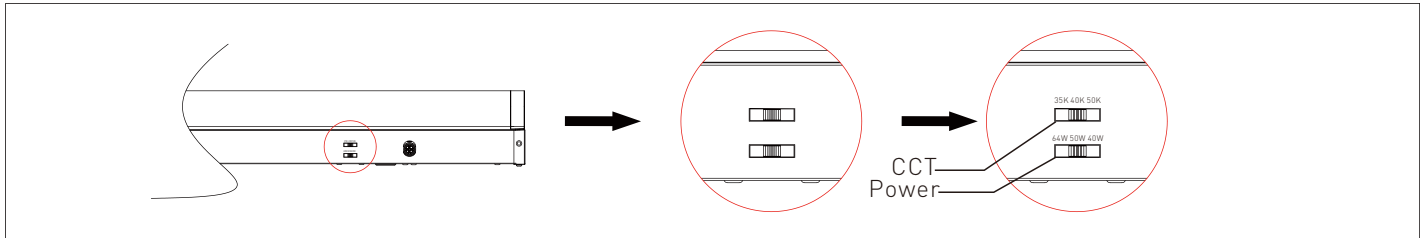
UNIT:CD
 - C0/180,130.9
 - C30/210,130.5
 - C60/240,129.3
 - C90/270,129.1
 Lumens:6500 LM
 Test Number:50W
 Test Number:5000K



AVERAGE BEAM ANGLE(50%): 120°

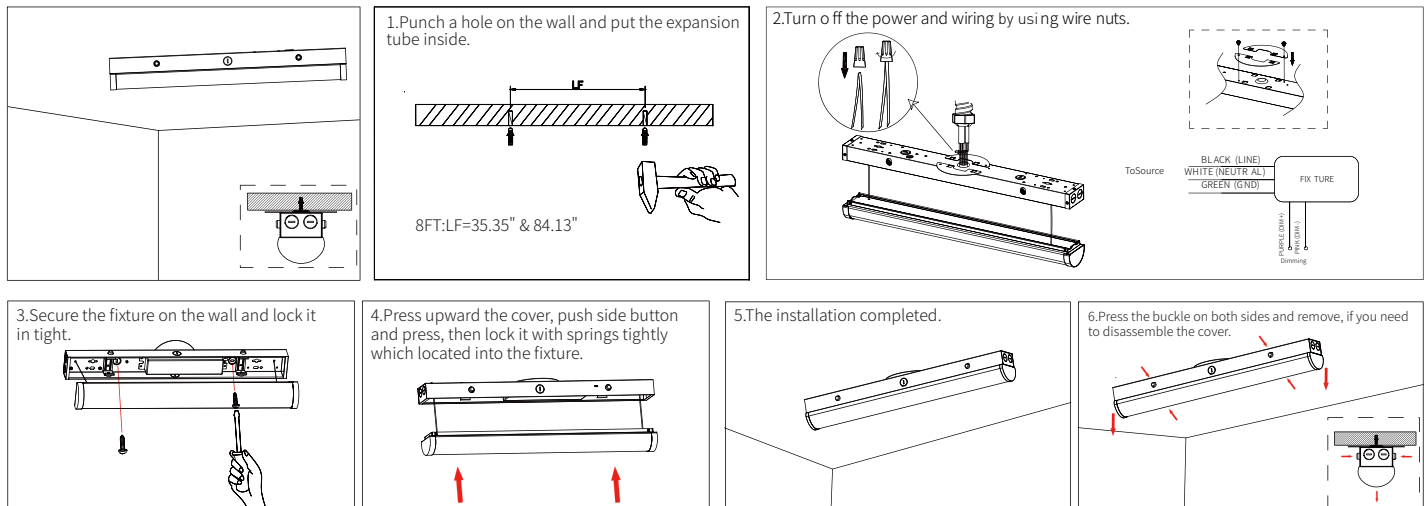
UNIT:CD
 - C0/180,130.9
 - C30/210,130.5
 - C60/240,129.3
 - C90/270,129.1
 Lumens:5200 LM
 Test Number:40W
 Test Number:5000K

CCT&Wattage selectable



Installation manual

A.Surface-mounted installation



B. Hanging installation

