



V3 Oval Parking Garage LED



Date:..... Location:

Product:..... Project:.....

Quantity:..... Catalog#

FEATURES

- 30/40/60W Tunable wattage, 180lm/w, Unique round oval design
- Built in Occupancy Sensor available.
- Widest beam angle with diffused PC lense optics.
- Anti-corrosion and rust proof
- 50,000 hours life, DLC PREMIUM.

SUITABLE APPLICATIONS

- Indoor Garage Parking Lighting like Shop mall/Airport/Building
- Underground Garage Parking lighting

CONSTRUCTION:

Heavy die-cast aluminum alloy housing white powder-coated finish.

ELECTRICAL:

Available as 120-277V input. -20°C to 45°C.

OPTICAL SYSTEM:

Lumileds 2835 LED chips. High quality oval PC cover optics. 154.3° beam angle.

INSTALLATION&MOUNTING:

Ceiling mount or 3/4" thread conduit entry on top or side for pendant mounting (pendant provided by others)

WARRANTY:

5-year limited warranty. Actual performance may differ as a result of end-user environment and application.

PERFORMANCE

Model NO	Power Factor	Wattage	Voltage/CurrentInput		Light Efficiency	Kelvin Options
			120V	277V		
LS-3NCP30W-50K-X	0.9	30W	0.25A	0.10A	180LM/W	3000K/4000K/5000K
LS-3NCP40W-50K-X	0.9	40W	0.33A	0.14A	180LM/W	3000K/4000K/5000K
LS-3NCP60W-50K-X	0.9	60W	0.50A	0.21A	180LM/W	3000K/4000K/5000K

V3 Oval Parking Garage LED

Special Function & Accessory



18W Emergency Driver



Model: EMWC18W

PRODUCT ORDERING GUIDE

LS-3NCP30W-50K-C[Z]

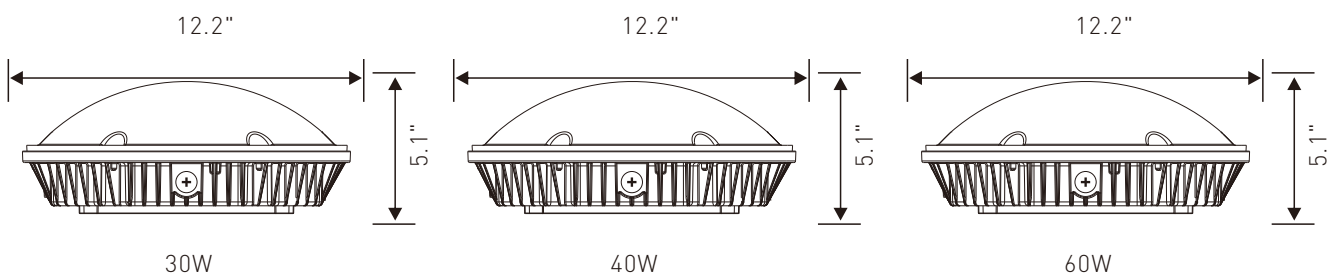
¹LS - ²3NCP - ³40W - ⁴50K - ⁵C[Z]

- LS LEDSION
- 3NCP G3 New canopy
- 30W Power 30W 40W Power 40W
- 60W Power 60W
- 30K CCT:3000K
- 40K CCT:4000K
- 50K CCT:5000K
- X C: Normal C[Z]: Motion Sensor

Electric Characteristic

Specification/Model	LS-3NCP30W-50K-C	LS-3NCP40W-50K-C	LS-3NCP60W-50K-C
LED Driver	UL listed KHM Brand Dimmable		
Input power	30W	40W	60W
Lumens output	5400LM	7200LM	10800LM
Efficiency	180LM/W	180LM/W	180LM/W
CRI	>72	>72	>72
Color Temperature	5000K	5000K	5000K
Input voltage	120-277V/AC	120-277V/AC	120-277V/AC
Light distribution type	154.3D	154.3D	154.3D
Working temperature	-20+45°C	-20+45°C	-20+45°C
Junction temperature	<75°C	<75°C	<75°C
lamps efficiency	≥90%	≥90%	≥90%
Certificate	ETL DLC	ETL DLC	ETL DLC
Equivalent	100-150W HPS	150-200W HPS	200-250W HPS

DIMENSION

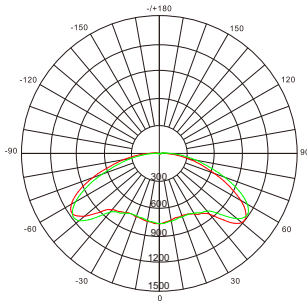


V3 Oval Parking Garage LED



DISTRIBUTION DIAGRAM

LS-3NCP30W-50K-C

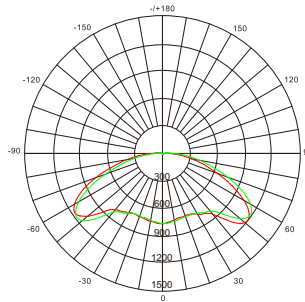


AVERAGE BEAM ANGLE[50%]: 154.3°

UNIT:CD
 Test Number:LS-3NCP30W-50K-C
 Lumens:3750LM
 Test Number:30W
 Test Number:5000K

UNIT:CD
 - C0/180, 154
 - C30/210,111.5
 - C60/240,109.7
 - C90/270,154.2

LS-3NCP40W-50K-C

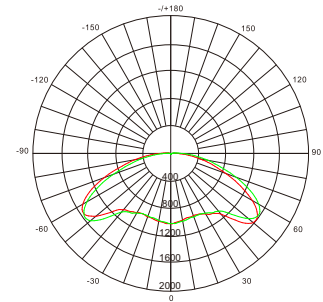


AVERAGE BEAM ANGLE[50%]: 154.3°

UNIT:CD
 Test Number:LS-3NCP40W-50K-C
 Lumens:5000LM
 Test Number:40W
 Test Number:5000K

UNIT:CD
 - C0/180, 154
 - C30/210,111.5
 - C60/240,109.7
 - C90/270,154.2

LS-3NCP60W-50K-C



AVERAGE BEAM ANGLE[50%]: 154.3°

UNIT:CD
 Test Number:LS-3NCP60W-50K-C
 Lumens:7500LM
 Test Number:60W
 Test Number:5000K

UNIT:CD
 - C0/180, 154
 - C30/210,111.5
 - C60/240,109.7
 - C90/270,154.2

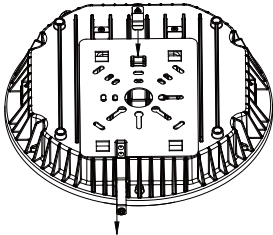
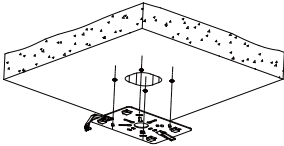
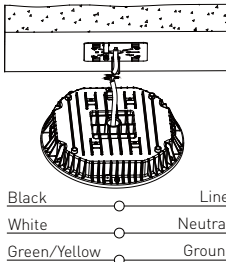
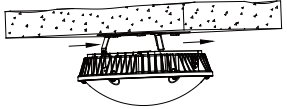
Installation Instruction



PLEASE READ ALL INSTRUCTIONS BEFORE ATTEMPTING INSTALLATION

1. To prevent personal injury or product damage only licensed electricians should install.
2. To avoid electrical shock or component damage, disconnect power before attempting installation or servicing.
3. This product must be installed in accordance with the national electric code (NEC) and all applicable federal, state and local electric codes and safety standards.
4. Disconnect product and allow cooling prior to any further steps.
5. Any alteration or modification of this product is expressly forbidden as it may cause serious personal injury, death, property damage and/or product malfunction.
6. To prevent product malfunction and/or electrical shock this product must be properly grounded.
7. This luminaire is designed to operate in ambient temperatures ranging from -25°C to 40°C and to be horizontally mounted with the LED board facing downward.

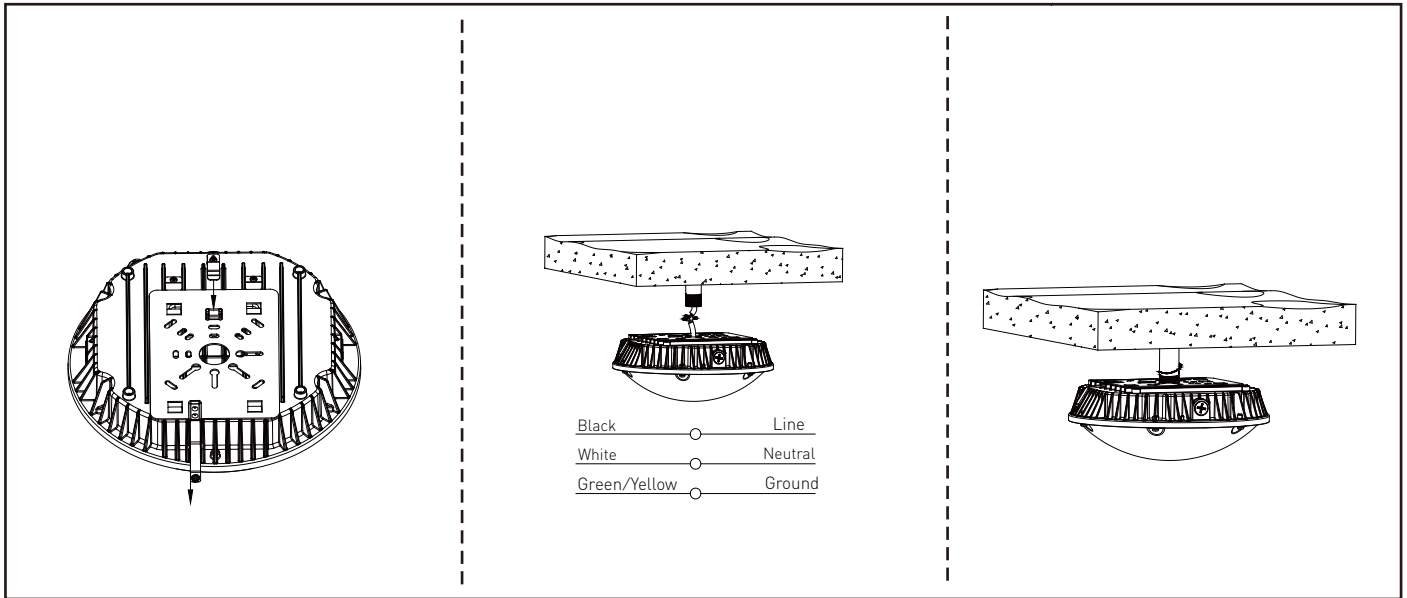
Surface-mounted with J-BOX

<p>1. Loosen the screw on the side of the housing and pull out the connecting plate</p> 	<p>2. Fix the connecting plate onto the ceiling and put the wire through center hole</p> 	<p>3. Buckle the connecting plate into the clips and connect the wires as following shows</p>  <p>Black ○ Line White ○ Neutral Green/Yellow ○ Ground</p>	<p>4. Slide lamp back into the connecting plate and fix the screw that is removed in step one</p> 
---	--	--	---

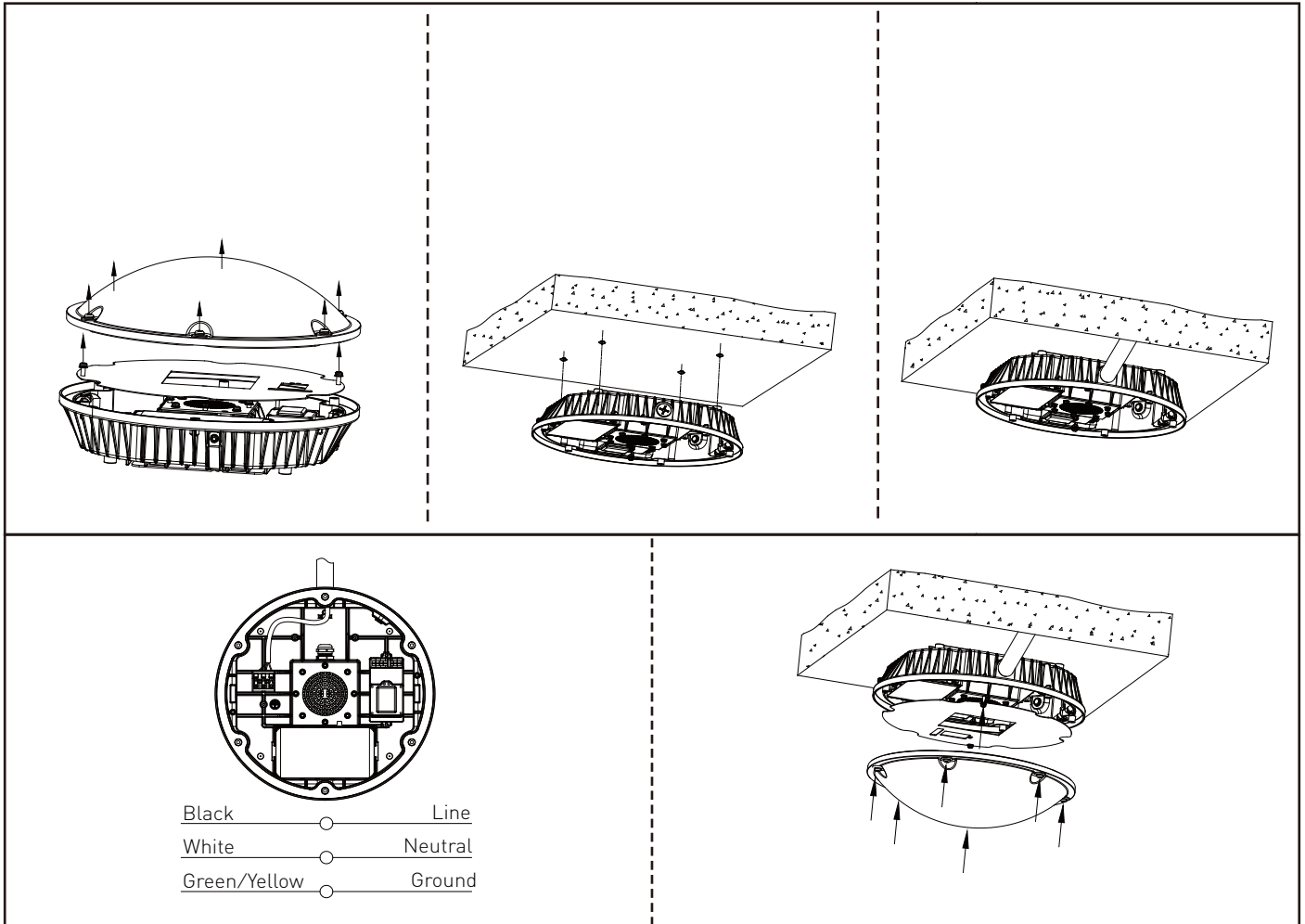
V3 Oval Parking Garage LED

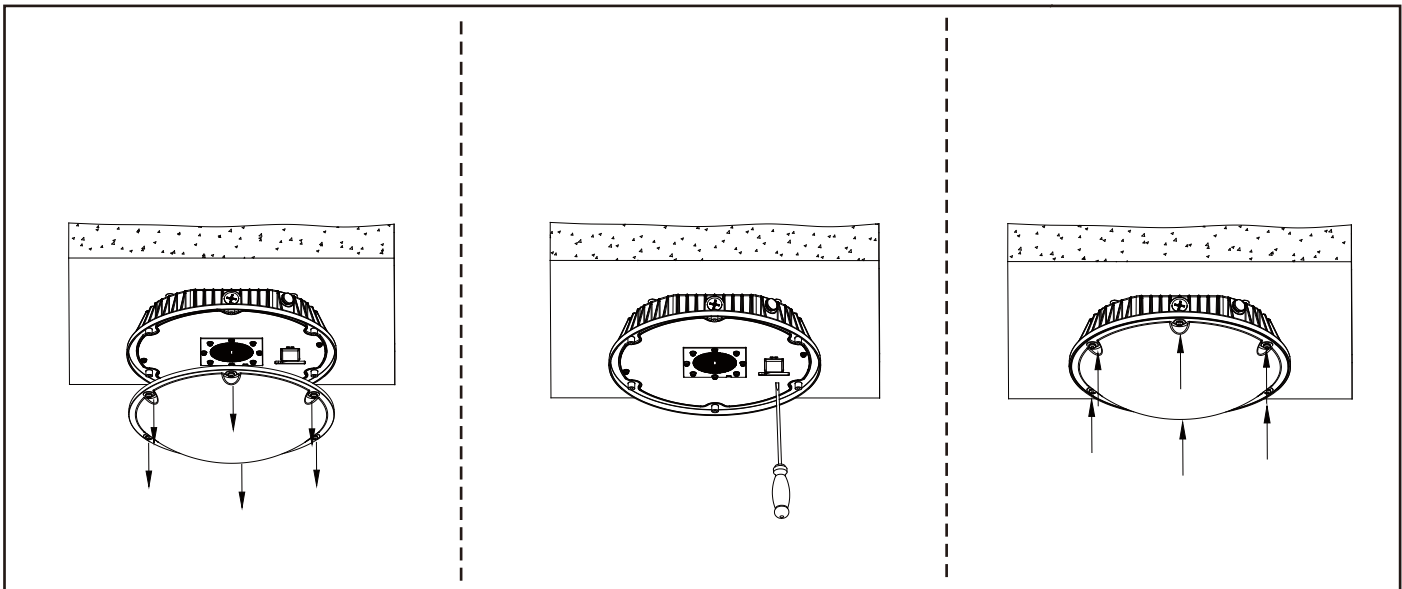


Pendent Installation with 3/4 inch conduit



Surface-mounted with side-wiring





Setting

By selecting the combination on the DIP switches, sensor data can be precisely set for each specific application.

ON ↑ ↓		1	2	
	I	ON	ON	100%
	II	ON	-	75%
	III	-	ON	50%
	IV	-	-	10%

Detection area

Detection area can be reduced by selecting the combination on the DIP switches to fit precisely each application .

ON ↑ ↓		3	4	5	
	I	ON	ON	ON	
	II	-	ON	ON	30s
	III	ON	-	ON	90s
	IV	-	-	ON	3min
	V	ON	ON	-	20min
	VI	-	-	-	30min

Hold time

Refers to the time period the lamp remains at 100% illumination after no motion detected.

ON ↑ ↓		6	7	8	
	I	ON	ON	ON	0s
	II	-	ON	ON	5s
	III	ON	-	ON	5min
	IV	-	-	ON	10min
	V	ON	ON	-	30min
	VI	-	ON	-	1h
	VII	-	-	-	+∞

Stand-by period

Refers to the time period the lamp remains at a low light level before it completely switches off in the long absence of people.
When set to " +∞mode, the low light is maintained until motion is detected.

ON ↑ ↓		1	2	3	4	
	I	-	-	ON	ON	2Lux
	II	-	-	-	ON	5Lux
	III	-	ON	ON	-	10Lux
	IV	-	-	ON	-	25Lux
	V	-	ON	-	-	50Lux
	VI	ON	-	-	-	100Lux
	VII	-	-	-	-	Disable

Daylight sensor

The sensor can be set to only allow the lamp to illuminate below a defined ambient brightness threshold.
When set to Disable mode, the daylight sensor will switch on the lamp when motion is detected regardless of ambient light level.
50lux, 30lux: twilight operation, 10lux, 5lux: darkness operation only.
Note that daylight sensor is active only when lamp totally switches off.

ON ↑ ↓		5	6	
	I	ON	ON	50%
	II	-	ON	30%
	III	ON	-	20%
	IV	-	-	10%

Stand-by dimming level

The low light level you would like to have after the hold time in the long absence of people.