



3 Watts 3CCT Post Top LED



Date:..... Location:

Product:..... Project:.....

Quantity:..... Catalog#

FEATURES

- 3 Watts 3CCT, Built in photocell (can bypass it)
- Heavy Robust fast dissipation aluminum, and easy access wiring
- Black Housing, IP65, ETL DLC PREMIUM
- 50,000 hours lifetime

SUITABLE APPLICATIONS

- Area Lighting
- Parking lot Auto Dealerships
- Shopping malls
- Sporting Complexes
- Path lighting
- Garden lighting

CONSTRUCTION:

Heavy die-cast aluminum alloy housing with black powder-coated finish. Glass lens.

ELECTRICAL:

Available as 120-277V input. -20°C to 45°C

OPTICAL SYSTEM:

High brightness lumileds LED chips. High quality transmission glass optics.120° beam angle.

INSTALLATION&MOUNTING:

3'' round pole mounting by heights 15 to 30ft.

WARRANTY:

5-year limited warranty. Actual performance may differ as a result of end-user environment and application.

PERFORMANCE

Model NO	Photocell Control	Wattage	Voltage/CurrentInput		Light Efficiency	Kelvin Options
			120V	277V		
LS-2PT(60/40/30 /20)W-XXK-P	3fcON/ 13fc OFF	40W	0.34A	0.14A	130LM/W	3000K/4000K/5000K
	3fc ON/ 13fc OFF	60W	0.50A	0. 21A	130LM/W	3000K/4000K/5000K
LS-2PT(150/120/100 /80)W-XXK-P	3fc ON 13fc OFF	100W	0.66A	0.28A	130LM/W	3000K/4000K/5000K
	3fc ON 13fc OFF	150W	0.83A	0.36A	130LM/W	3000K/4000K/5000K

CCT&Power Tunable and Photocell Options



Switch Port including CCT&Power Tunable

Open Photocell cap, Start Photocell control function

Available Accessories:



4" Square pole mount base.



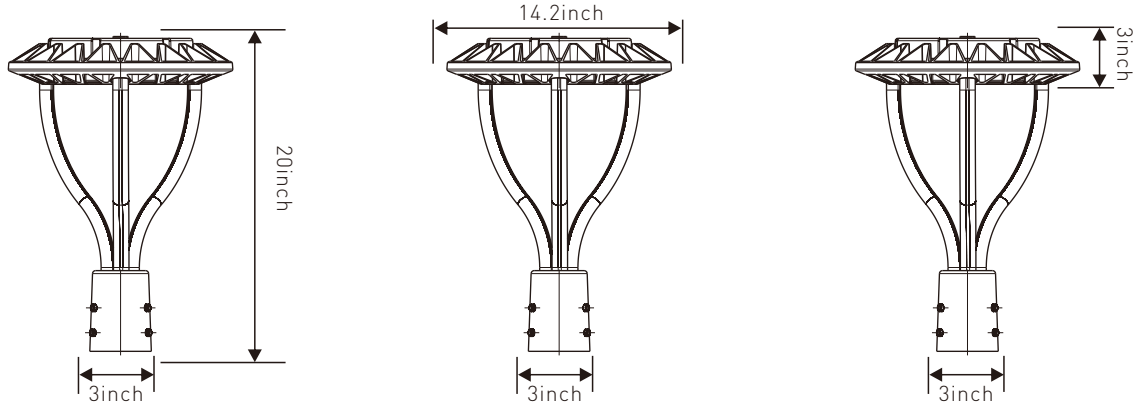
4" Round Pole mount base.

Electric Characteristic

Specification/Model	LS-2PT(60/40/30/20)W-XXK-P		LS-2PT(150/120/100/80)W-XXK-P	
LED Driver	UL Listed KHM Brand			
Input power	40W	60W	100W	150W
Lumens output	5200LM	7800LM	13000LM	19500LM
Efficiency	130LM/W	130LM/W	130LM/W	130LM/W
CRI	>72	>72	>72	>72
Color Temperature	30/40/50K	30/40/50K	30/40/50K	30/40/50K
Input voltage	120-277V/AC	120-277V/AC	120-277V/AC	120-277V/AC
Light distribution type	120D	120D	120D	120D
Working temperature	-20+45°C	-20+45°C	-20+45°C	-20+45°C
Junction temperature	<75°C	<75°C	<75°C	<75°C
lamps efficiency	≥90%	≥90%	≥90%	≥90%
Certificate	ETL CETL DLC	ETL CETL DLC	ETL CETL DLC	ETL CETL DLC
Equivalent	100-120W MH/HPS	120-200W MH/HPS	200-300W MH/HPS	300-600W MH/HPS

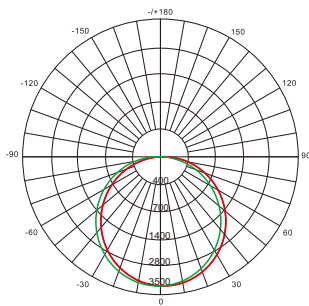
3 Watts 3CCT Post Top LED

DIMENSION



DISTRIBUTION DIAGRAM

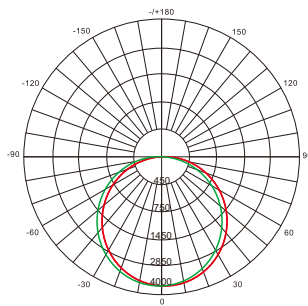
LS-2PT(60/40/30/20)W-XXK-P



AVERAGE BEAM ANGLE[50%]: 108°

UNIT:CD
 Test Number:LS-2PT(60/40/30/20)W-XXK-P
 Lumens:5200LM
 Test Number:40W
 Test Number:5000K

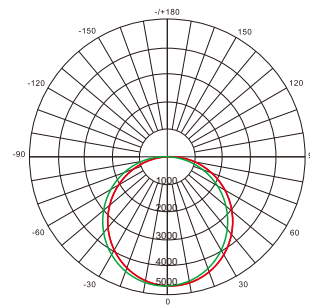
LS-2PT(60/40/30/20)W-XXK-P



AVERAGE BEAM ANGLE[50%]: 108°

UNIT:CD
 Test Number:LS-2PT(60/40/30/20)W-XXK-P
 Lumens:7800LM
 Test Number:60W
 Test Number:5000K

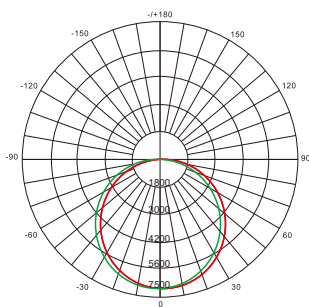
LS-2PT(150/120/100/80)W-XXK-P



AVERAGE BEAM ANGLE[50%]: 108°

UNIT:CD
 Test Number:LS-2PT(150/120/100/80)W-XXK-P
 Lumens:13000LM
 Test Number:100W
 Test Number:5000K

LS-2PT(150/120/100/80)W-XXK-P



AVERAGE BEAM ANGLE[50%]: 108°

UNIT:CD
 Test Number:LS-2PT(150/120/100/80)W-XXK-P
 Lumens:19500LM
 Test Number:150W
 Test Number:5000K

Installation steps:

1. Find the power cord hole (Figure 1)
2. The threading rod corresponds to the hole to thread the power cord (Figure 2)
3. Twist the corresponding screw into the corresponding lever arm and tighten it (Figure 3)
4. Loosen the handle screw and connect the corresponding LN G wire to make it waterproof (Figure 4)
5. The lever arm is inserted into the pole and the screw is fastened (Figure 5)

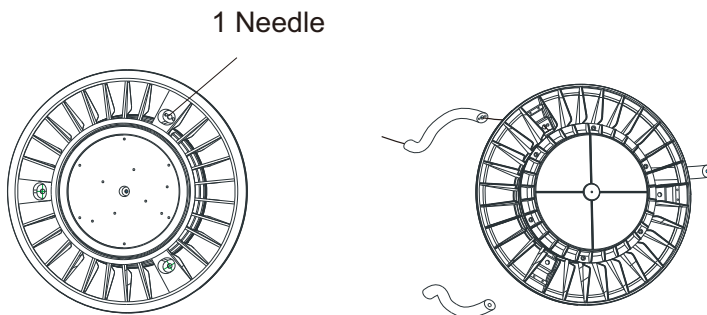


Figure 1

Figure 2

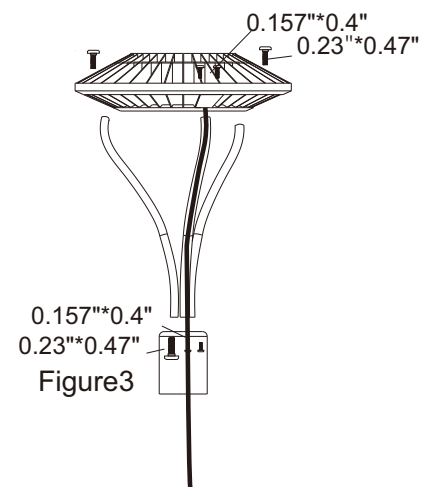


Figure 3

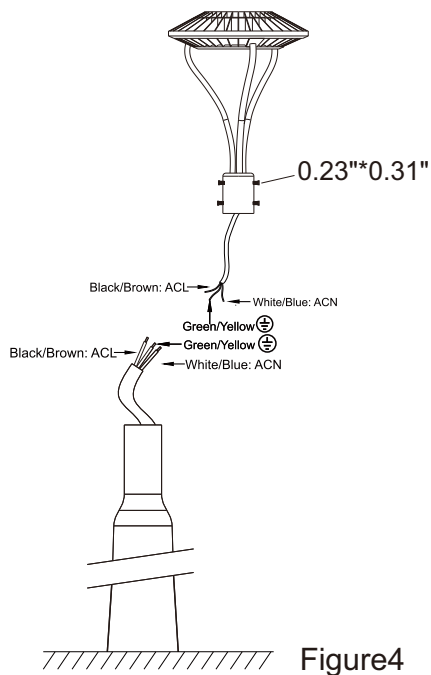


Figure 4

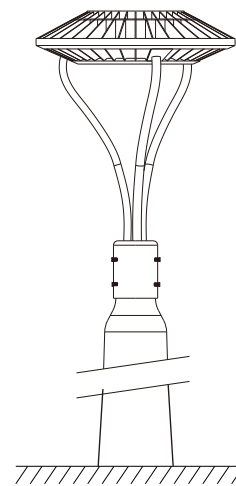


Figure 5