



3CCT Bollard LED Light



Date: ..... Location: .....

Product: ..... Project: .....

Quantity: ..... Catalog# .....

**FEATURES**

- Efficacy higher than 130lm/W with zero uplight while consumes 24W
- Round appearance for good decorative effect, 3.5ft height
- Dark bronze polyester powder-coat nish.
- 120 degrees surround illumination with 80 CRI.
- 1-10V dimming and projected over 50,000 hrs life span.
- Operating temperature is -4°C to 40°C.
- Optional emergency function for emergency needs.
- Robust ground cage pre-buried installation.
- UL/cUL wet location listed and DLC qualified.

**CONSTRUCTION:**

Heavy die-cast aluminum alloy housing with bronze powder-coated finish.

**ELECTRICAL:**

Available as 120-277V input, 1-10V dimming. -20°C to 45°C

**OPTICAL SYSTEM:**

High brightness lumileds 2835LED chips.

**Application:**

Suitable for building entryways, walking paths and pedestrian plazas, as well as any other location requiring a low-mounting-height light source.

**WARRANTY:**

5-year limited warranty. Actual performance may differ as a result of end-user environment and application.

**PERFORMANCE**

Model NO	Light Efficiency			Wattage	Voltage/Current Input		Kelvin Options
	3000K	4000K	5000K		120V	277V	
BR01R-4224L-C-3CCT	130LM	130LM	130LM	24W	0.21A	0.10A	3000K/4000K/5000K

# 3CCT Bollard LED Light

## Electric Characteristic

Specification/Model	BR01R-4224L-C-3CCT
LED Driver	UL Driver
Input power	24W
Lumens output	3120LM
Efficiency	130LM/W
CRI	>80
Color Temperature	3000K/4000K/5000K
Input voltage	120-277V/AC
Light distribution type	Type V
Working temperature	-40°C+40°C
Junction temperature	<75°C
lamps efficiency	≥90%
Certificate	UL CUL DLC
Equivalent	100-120W MH/HPS

## PRODUCT DETAILS



Round shape



Anchor Bolts install

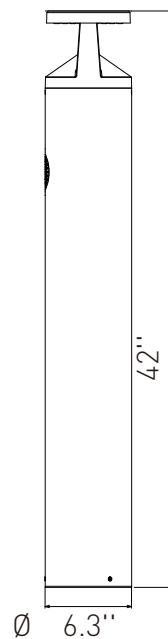


DIP switch for 3CCT Select



Motion sensor

## DIMENSION: INCH



42" 24W

## LED Bollard Lighting Installation Instructions

### SAFETY INSTRUCTIONS:

Please read all the instructions before attempting installation

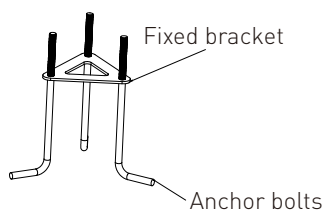
- READ CAREFULLY BEFORE INSTALLING FIXTURE. RETAIN THESE INSTRUCTIONS FOR FUTURE REFERENCE.
- The lighting fixture must be wired in accordance with the National Electrical Code and all applicable local codes. Proper grounding is required for safety.
- THIS PRODUCT MUST BE INSTALLED IN ACCORDANCE WITH THE APPLICABLE INSTALLATION CODE BY A PERSON FAMILIAR WITH THE CONSTRUCTION AND OPERATION OF THE PRODUCT AND THE HAZARDS INVOLVED.
- WARNING: Make certain power is OFF before installing or maintaining fixture. No user serviceable parts inside.
- WARNING: Must be installed on a level surface, above grade.



Installation Instructions:

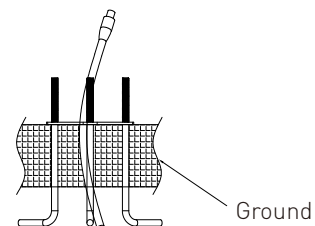
#### Step 1

The anchor bolts are installed on the fixed bracket.

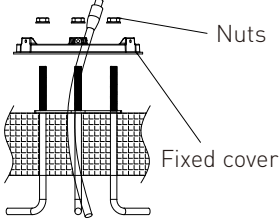


#### Step 2

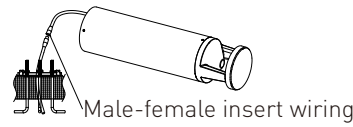
Install the anchor bolts and bury them into the ground, and lead out the terminals.



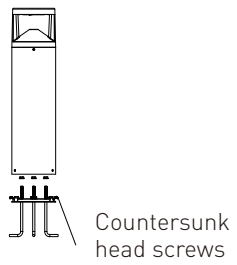
**Step 3**  
Fix the fixed cover on the anchor bolts with nuts.



**Step 4**  
Male-female insert wiring.



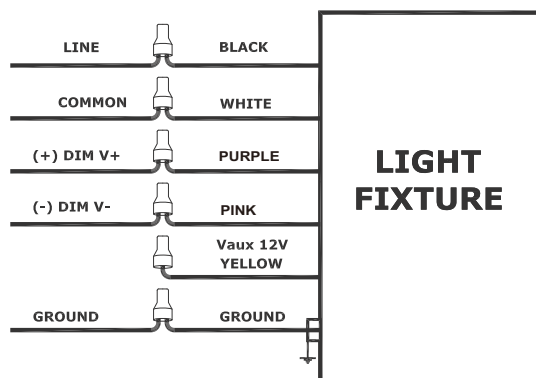
**Step 5**  
Countersunk head screws to fix the bollard base.



## ON-OFF WIRING

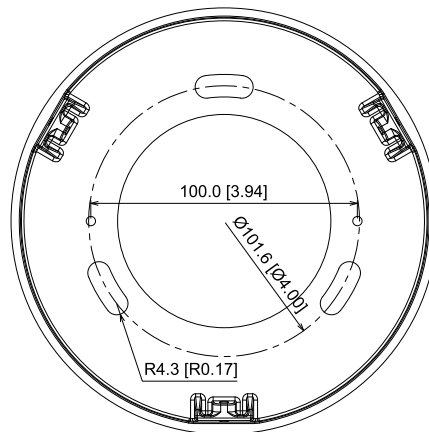
Universal voltage driver permits operation at 120V thru 277V, 50 or 60 Hz. For 0-10V Dimming, follow the wiring directions.

1. Connect the black fixture lead to the LINE supply lead.
2. Connect the white fixture lead to the COMMON supply lead.
3. Connect the GROUND wire from fixture to supply ground. Do NOT connect the GROUND of the dimming fixture to the output.
4. Connect the purple fixture lead to the (V+) DIM lead.
5. Connect the pink fixture lead to the (V-) DIM lead.
6. Cap the yellow fixture lead, if present. Do NOT connect.



## ANCHOR BOLT TEMPLATE FOR BLED BOLLARD

Drawing not to scale. Use the actual mounting plate as your template.



### WARRANTY:

#### 5-YEAR WARRANTY.

If this product fail to preform satisfactorily due to defect or poor workmanship within five years from the date of purchase, return it to the place of purchase and it will be replaced, free of charge. Inciden-tal or consequential damages are excluded from the warranty.