

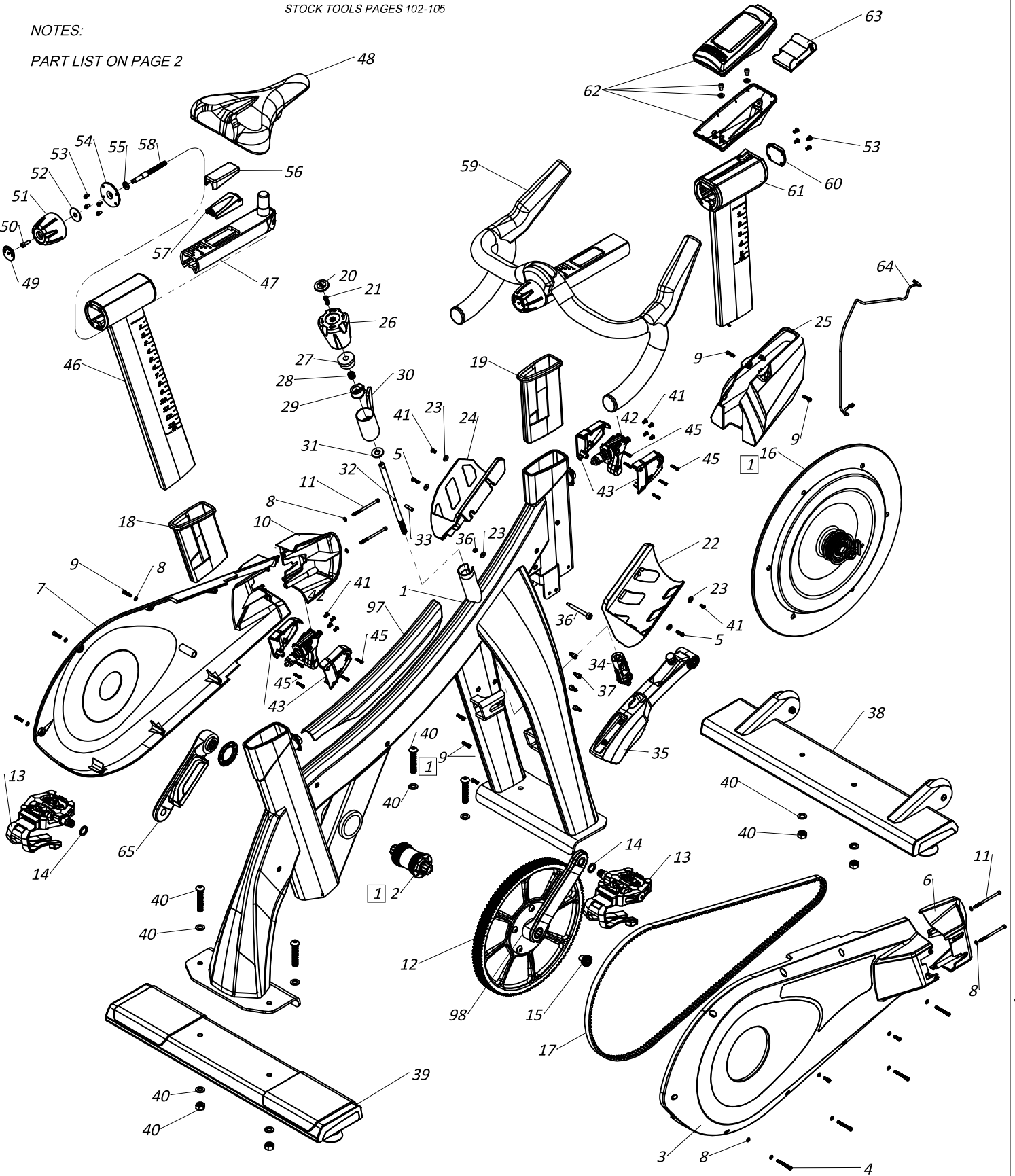
**1** SPECIAL TOOL REQUIRED.  
SEE PART DRAWING

REVISIONS				
ECO	REVISION	REV DESCRIPTION	APPROVED	DATE
30094	A	UPDATE SC3 SKU FOR ROADBAR, EXT	--	6/11/2015

DECALS / FRAME PROTECTORS PAGES 99-101  
STOCK TOOLS PAGES 102-105

NOTES:

PART LIST ON PAGE 2



3090 STERLING CIRCLE, BOULDER, CO 80301

DESIGNED Eric D. Golesh

DRAWN Eric D. Golesh

DATE --/--/----

ALL APPLICABLE STAGES CYCLING STANDARDS AND SPECIFICATIONS APPLY.

PART NO. 971-0005

TITLE SC3.16, TOP LEVEL BOM

REV. C

egolesh@stagescycling.com

This document is the property of Stages Cycling, LLC. It may not be reproduced in whole or part, provided to third parties, or used for any purposes other than the performance of work for Foundation Fitness, LLC without written authorization. All rights are reserved, including copyrights.

SIZE A

SCALE: 1:10 SHEET 1 OF 2

METRIC\_A\_REV A

BOM			
ITEM	PART #	DESCRIPTION	QTY.
1	000-3909	WELDMENT, FRAME W/INSERTS, STAGES IC	1
2	000-3758	ISIS BB, NARROW, 62.5 X 103mm	1
3	000-3963	KIT, BELT GUARD, RIGHT, W/HDWR	1
4	000-3987	HDWR SHCS, M4X0.7 X 35MM, SS	4
5	000-4193	HDWR BHCS, M4X0.7 X 16MM, SS	2
6	000-3965	KIT, BELT GUARD, CAP, RIGHT, W/HDWR	1
7	000-3962	KIT, BELT GUARD, LEFT, W/HDWR	1
8	000-1448	M4 WASHER, NARROW	14
9	000-4163	HDWR SHCS, M4 X 0.7 X 16MM, SS	16
10	000-3964	KIT, BELT GUARD, CAP, LEFT, W/HDWR	1
11	000-3988	HDWR SHCS, M4X0.7 X 70MM, SS	4
12	000-1461	ASSY, RIGHT CRANK, BD, W/CRANK BOLT	1
13	000-1305	RPS, PEDAL SET, W/WASHERS	1
14	000-1298	PEDAL WASHER	2
15	000-1302	SCREW, CRANK, ASSY	2
* 16	000-3958	KIT, FLYWHEEL, SELF GEN	1
17	000-1476	CARBON BELT, 8MGT-1600-12	1
18	000-3837	SLEEVE, SEAT	1
19	000-3836	SLEEVE, HANDLEBAR	1
20	000-3926	CAP, EMERGENCY STOP	1
21	000-4001	HDWR FLAT SCREW, CROSS, M5 X 20MM, SS, TL	1
22	000-4029	KIT, WATER BOTTLE HOLDER, RT, W/HDWR	1
23	000-3990	HDWR WASHER, M4 X 12 X 1.4T	5
24	000-4030	KIT, WATER BOTTLE HOLDER, LT, W/HDWR	1
25	000-4028	KIT, NOSE CAP, W/HDWR	1
26	000-4018	KIT, BRAKE KNOB, W/CAP & SCREW	1
27	000-3878	NUT, TOP CAP	1
28	000-3893	SPRING, BRAKE ADJ	1
29	000-3925	DETENT, BRAKE ADJ	1
30	000-3892	ASSY, LEVER, BRAKE ADJ	1
31	000-3999	HDWR WASHER, 11 X 24 X 3T	1
32	000-3927	ASSY, SHAFT, BRAKE, W/PIN	1
33	000-3998	HDWR SPRING PIN, M5 X 20MM	1
34	000-3890	PUSH, W/INSERT	1
35	000-3884	ASSY, BRAKE ARM, STAGES	1
36	000-4032	KIT, BRAKE PIVOT HDWR	1
37	000-4084	SHOULDER BOLT, M4X0.7	4
* 38	000-3833	ASSY, FRONT STABILIZER	1
* 39	000-3830	ASSY, REAR STABILIZER	1
40	000-4031	KIT, STABILIZER HDWR	4

BOM			
ITEM	PART #	DESCRIPTION	QTY.
41	000-4192	HDWR BHCS, M4X0.7 X 8MM, SS, TL	10
*** 42	000-4017	ASSY, POP PIN LEVER	2
43	000-3953	KIT, POP PIN LEVER, SHROUD, W/HDWR	2
44	N/A		
45	000-4010	HDWR SHCS, M3X0.5 X 16MM, SS	5
* 46	000-3799	ASSY, SEAT STEM	1
47	000-5777	ASSY, SEAT CARRIAGE	1
48	000-3802	VELO SADDLE, STAGES	1
49	000-3794	CAP, ADJ KNOB, FORE/AFT	1
50	000-3975	SHCS M5X0.8 X 16MM, SS, TL	1
51	000-4039	KIT, ADJ KNOB, W/CAP AND SCREW	1
52	000-1051	THRUST WASHER, 30MM OD	1
53	000-3974	PAN SCREW, CROSS, M4 X 8MM, SS, TL	4
54	000-3967	KIT, FORE/AFT FLANGE	1
55	000-3976	HDWR WASHER, 8.3 X 16 X 1.5T	1
56	000-3869	WEDGE, UPPER, PLASTIC	1
57	000-3947	WEDGE, BOTTOM, W/INSERT	1
58	000-1097	SHAFT, WEDGE ADJ, SEAT	1
* 59	000-4231	ASSY, STAGES ROADBAR, EXT	1
60	000-4444	KIT, END CAP, W/HDWR	1
* 61	000-3966	KIT, HANDLEBAR STEM, SELF GEN	1
** 62	971-0200	CONSOLE, ASSEMBLY	1
* 63	000-3752	SELF GENERATING CONTROL PACK	1
64	000-3932	HARNESS, SELF GENERATING	1
** 65	971-0100	CRANK, POWER SENSOR, W/CRANK BOLT	1
97	000-4370	GUARD, TOP TUBE, W/ADHESIVE	1
98	000-5702	KIT, RIGHT CRANK, W/HDWR	1

\* ASSEMBLY SHIPPED COMPLETE  
COMPONENT DRAWING ON FOLLOWING PAGES

\*\* SHIPPED SEPARATELY

\*\*\* KEY ITEMS 95 AND 96 ARE FURTHER DEFINED IN  
DETAILED DRAWING



DESIGNED  
DRAWN Eric D. Golesh  
DATE --/--/----

PART NO. 971-0005

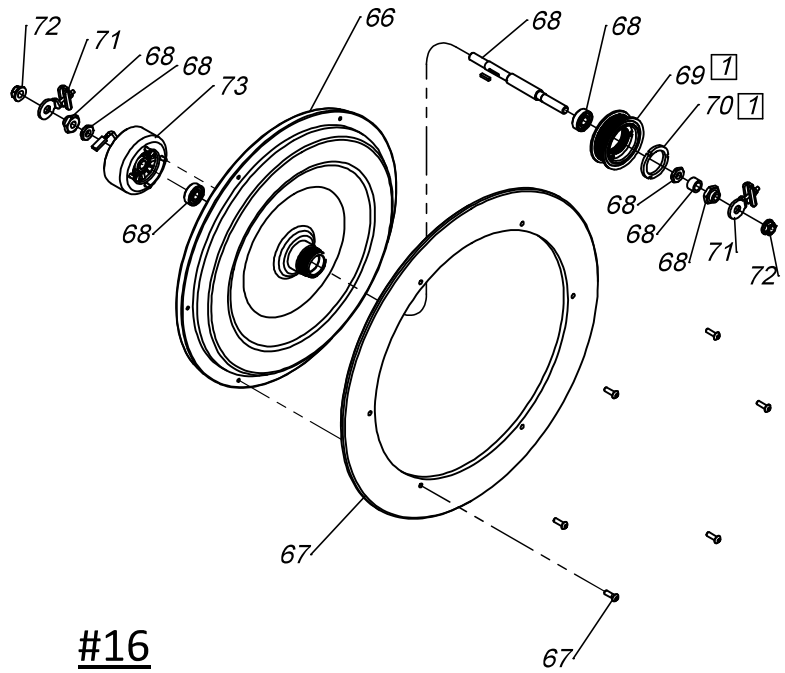
TITLE: PART LIST - WBOM, SC3.16

REV. C

This document is the property of Stages Cycling, LLC. It may not be reproduced in whole or part, provided to third parties, or used for any purposes other than the performance of work for Foundation Fitness, LLC without written authorization. All rights are reserved, including copyrights.

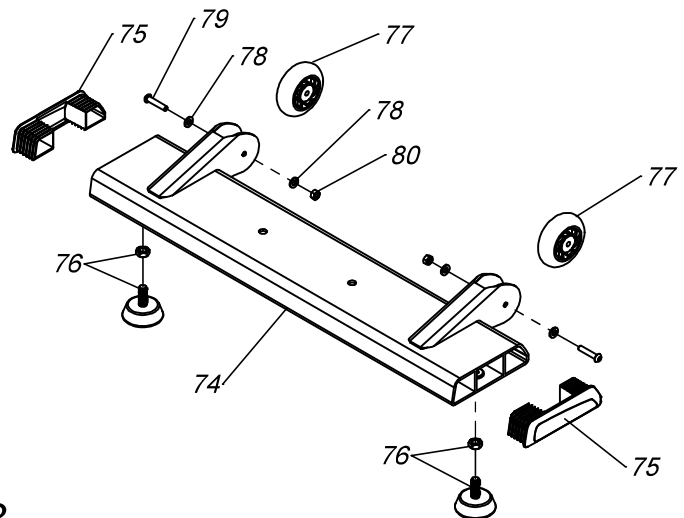
SIZE A SCALE: 1:1 SHEET 2 OF 2 METRIC\_A\_REV A

BOM			
ITEM	PART #	DESCRIPTION	QTY.
66	000-3959	ASSY, FLYWHEEL_HUB	1
67	000-4035	KIT, BRAKE RING, W/HDWR	1
68	000-4036	KIT, FLYWHEEL SG AXLE W/HDWR	1
69	000-1471	ASSY, SMALL PULLEY, 24T	1
70	000-0089	SPROCKET, LOCKRING	1
71	000-3512	ASSY, BELT ADJUSTER	2
72	000-1807	AXLE NUT, 3/8-26	2
73	000-4026	KIT, SELF-GENERATOR	1



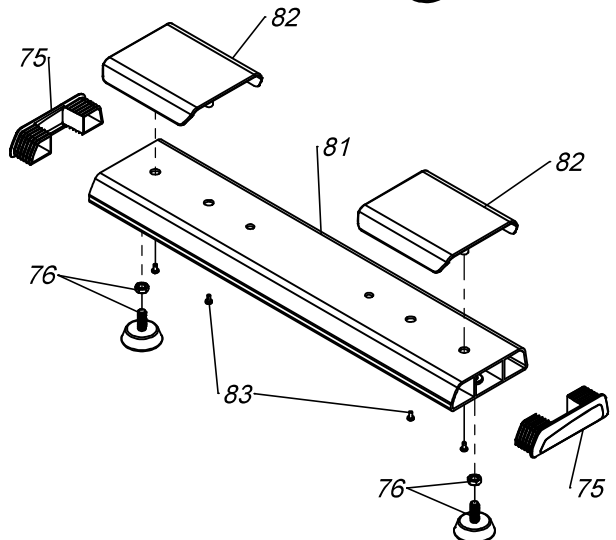
#16

ITEM	PART #	DESCRIPTION	QTY.
74	000-3956	KIT, STABILIZER, FRONT, W/END CAPS	1
75	000-4125	KIT, END CAPS, STABILIZER	1
76	000-3521	ASSY, RUBBER FOOT	2
77	000-3844	ASSEMBLY, TRANSPORT WHEEL, STAGES	2
78	000-4014	WASHER, 6.4 X 13.5 X 1.2T, SS	4
79	000-4016	BHCS, M6X1.0 X 40MM, SS, TL	2
80	000-4015	NUT, M6X1.0, SS	2



#38

BOM Table			
ITEM	PART #	DESCRIPTION	QTY.
75	000-4125	KIT, END CAPS, STABILIZER	1
76	000-3521	ASSY, RUBBER FOOT	2
81	000-3957	KIT, STABILIZER, REAR, W/CAPS & GUARDS	1
82	000-4037	KIT, REAR STABILIZER GUARD, W/HDWR	2
83	000-4002	PAN SCREW, CROSS, M4 X 8MM, SS	4



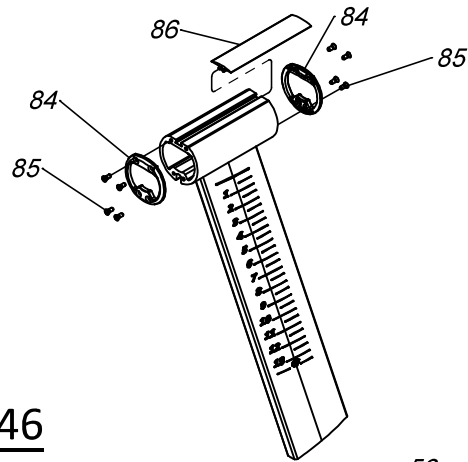
#39

# 000-3799\_-3789\_-3966\_-3752\_BOM

REVISIONS				
ECO	REVISION	REV DESCRIPTION	APPROVED	DATE
--	A	--	--	3/15/15

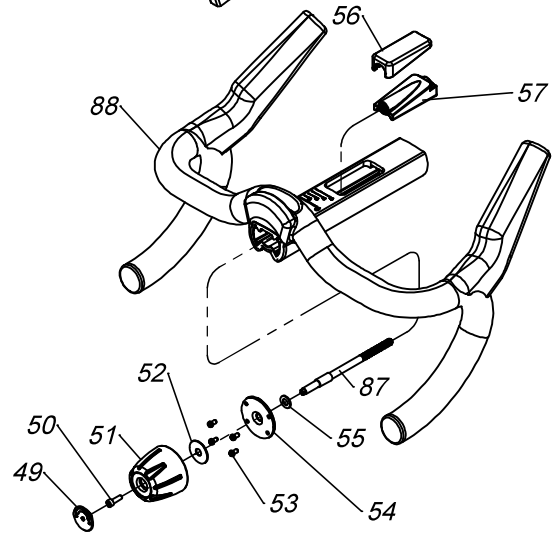
## BOM Table

ITEM	PART #	DESCRIPTION	QTY.
84	000-4038	KIT, SEAT END CAP, W/HDWR	2
85	000-3978	FLAT SCREW, CROSS, M4 X 10MM, SS, TL	8
86	000-1098	WEATHER STRIP, SEAT	1



## #46

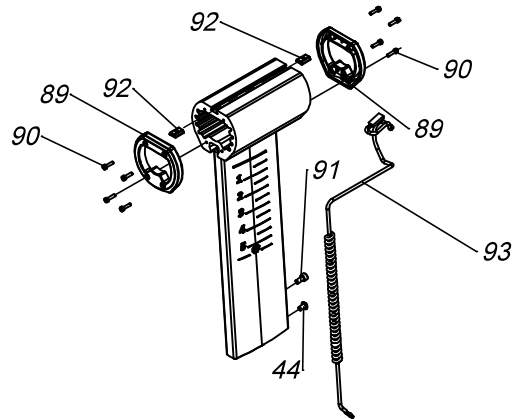
ITEM	PART #	DESCRIPTION	QTY.
49	000-3794	CAP, ADJ KNOB, FORE/AFT	1
50	000-3975	SHCS M5X0.8 X 16MM, SS, TL	1
51	000-4039	KIT, ADJ KNOB, W/CAP AND SCREW	1
52	000-1051	THRUST WASHER, 30MM OD	1
53	000-3974	PAN SCREW, CROSS, M4 X 8MM, SS, TL	4
54	000-3967	KIT, FORE/AFT FLANGE	1
55	000-3976	WASHER, 8.3 X 16 X 1.5T, SS	1
56	000-3869	WEDGE, UPPER, PLASTIC	1
57	000-3947	WEDGE, BOTTOM, W/INSERT	1
87	000-1018	SHAFT, WEDGE ADJUSTMENT	1
88	000-4232	STAGES ROADBAR, EXT	1



## #59

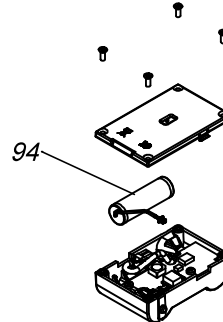
## BOM

ITEM	PART #	DESCRIPTION	QTY.
89	000-4034	KIT, HB END CAP, W/HDWR	2
90	000-3977	SHCS, M3X0.5 X 12MM, SS, TL	8
91	000-3973	SHCS, M5X0.8 X 10MM, NATURAL	1
92	000-1126	NUT, DOVE TAIL	2
93	000-3855	HARNESS, HB STEM	1
44	000-4167	HDWR BHCS, M5X0.8 X 8MM, SS	1



## 61

ITEM	PART #	DESCRIPTION	QTY.
94	000-4021	BATTERY, LI-ION, RECHARGE, WIRED	1



## #63



DESIGNED *Eric D. Golesh*  
 DRAWN *Eric D. Golesh*  
 DATE *--/--/----*  
ALL APPLICABLE STAGES CYCLING STANDARDS AND SPECIFICATIONS APPLY.

PART NO. **000-3799\_-4231\_-3966\_-3752\_BOM**

TITLE: **BOM SC3.16, PAGE 2**

REV. **C**