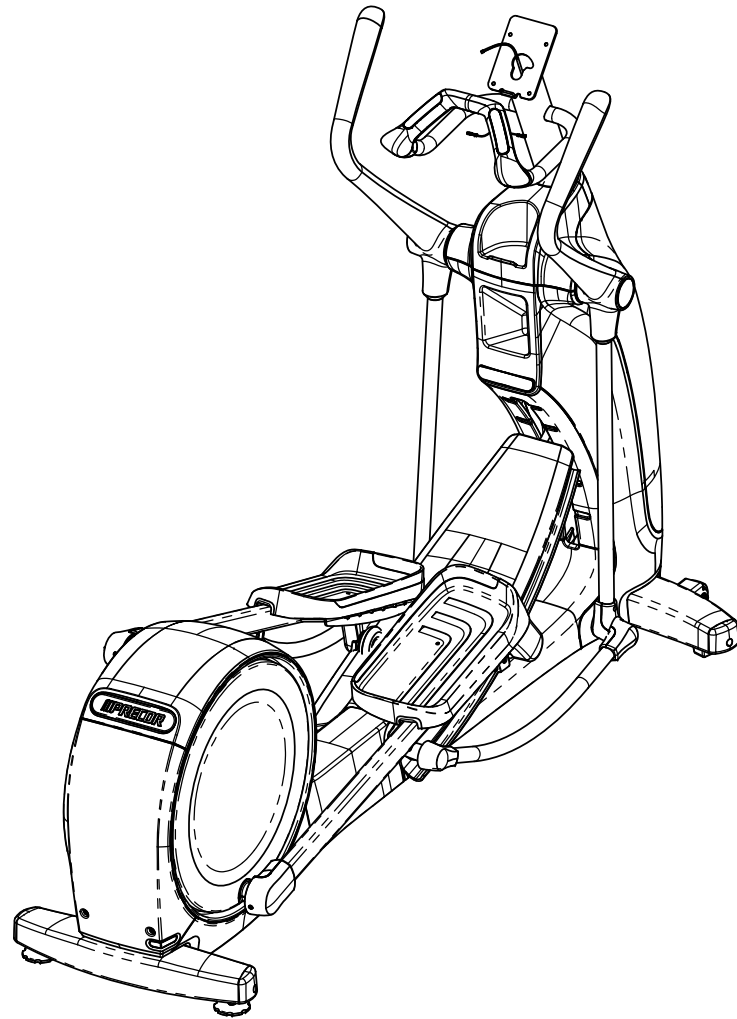


D

C

B

A



PRODUCT:				<b>PRECOR</b>		
<b>EFX800-16 MOVING ARMS</b>						
DRWN BY	08/03/16	SAH	SIZE	PAGE	DWG. NO.	SUBREV
CS	08/03/16	SM	A	1 OF 5	304283-101	A03

DRAWING TEMPLATE REV: D

D

C

B

A

4

3

2

1

2X 2X

30 60

105

108

2X 31

501

6X

4X

316

87

7

107

2X

502

106

41

38

40

37

312 4X

20 2X

2X 312

32

312 2X

39

2X 312

34

830

155

2X

252

2X 312

36

22

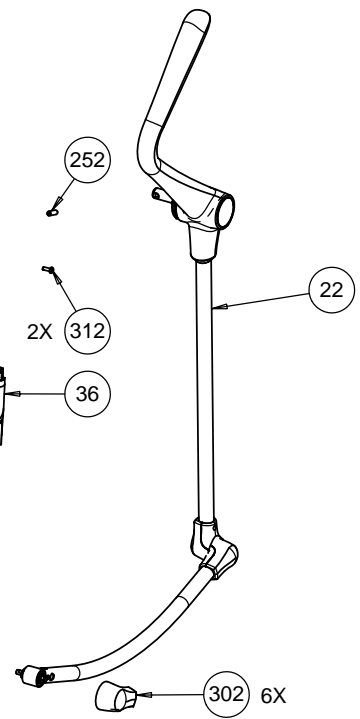
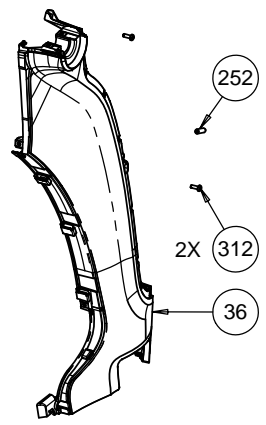
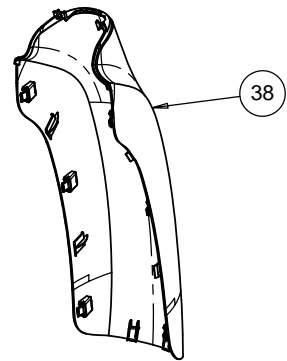
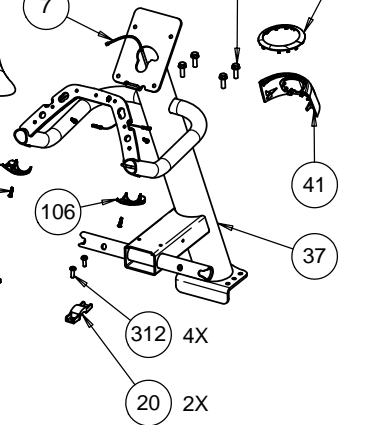
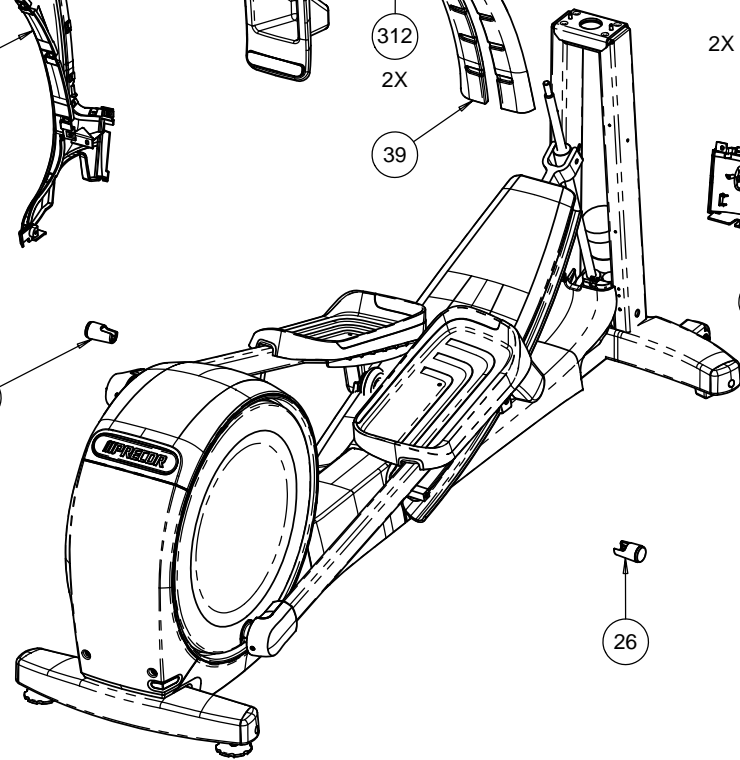
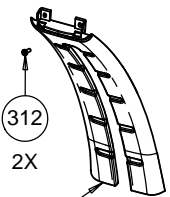
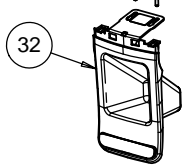
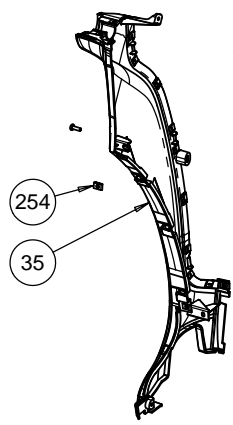
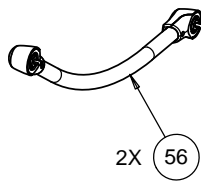
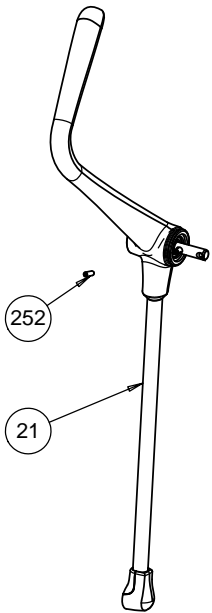
25

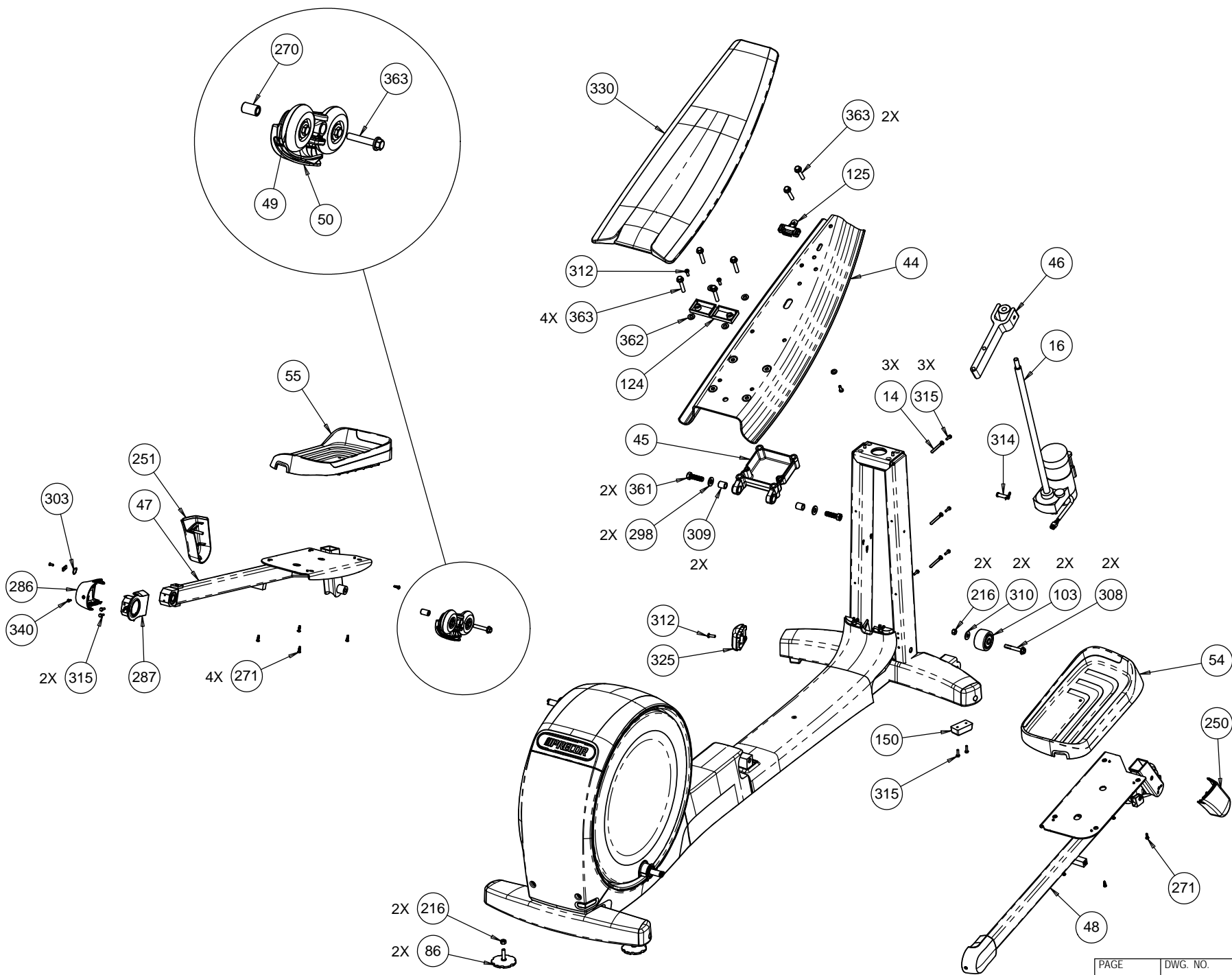
26

6X 340

6X 301

302 6X



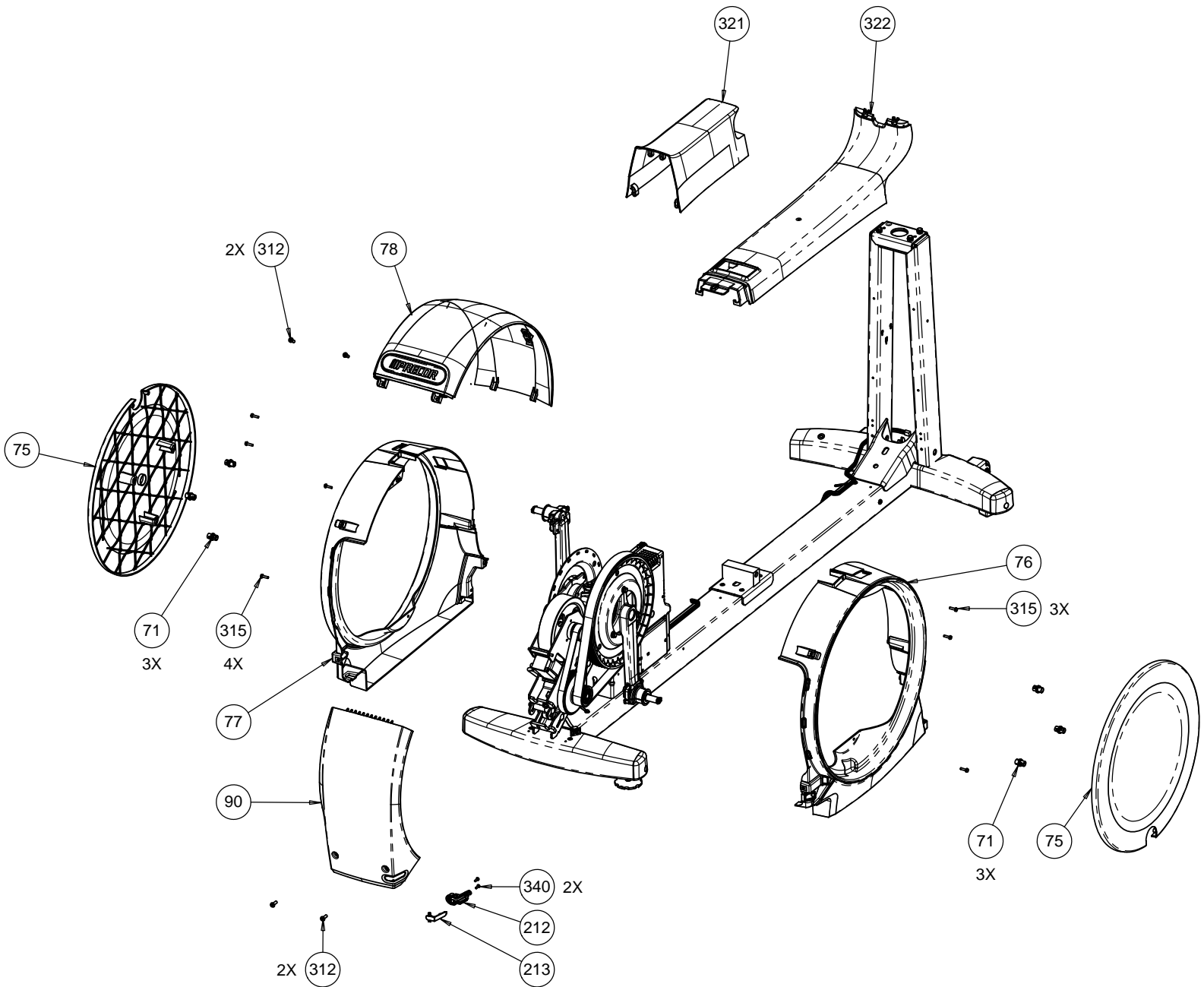


4

3

2

1



D

C

B

A

4

3

2

1

