

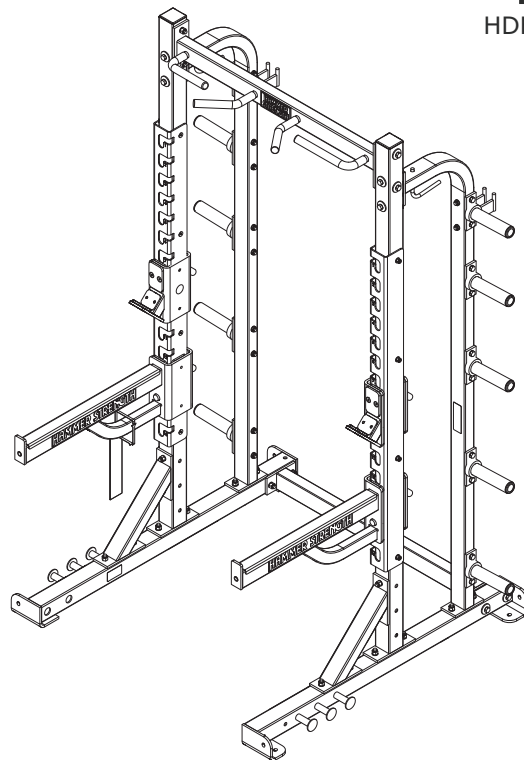
HAMMER  
STRENGTH

**HAMMER  
STRENGTH®**

building champions

# HAMMER STRENGTH HDHR Half Rack 8 & 9 Foot

**PARTS LIST**  
HDHR8-B04 / HDHR9-B04



7/20/2012

# HEAVY DUTY HALF RACK - HDHR8 & HDHR9

## CONTENTS

---

COPONENT ASSEMBLY..... 3

COPONENT ASSEMBLY LEGEND..... 4

BASE PULL-UP SUPPORT ASSEMBLY..... 5

RIGHT FRONT UPRIGHT ASSEMBLY..... 6

LEFT FRONT UPRIGHT ASSEMBLY..... 7

RIGHT BAR SUPPORT ASSEMBLY..... 8

LEFT BAR SUPPORT ASSEMBLY..... 9

RIGHT BAR CATCH ASSEMBLY..... 10

LEFT BAR CATCH ASSEMBLY..... 11

ANGLED WEIGHT HORN ASSEMBLY..... 12

OPTIONAL EQUIPMENT..... 13

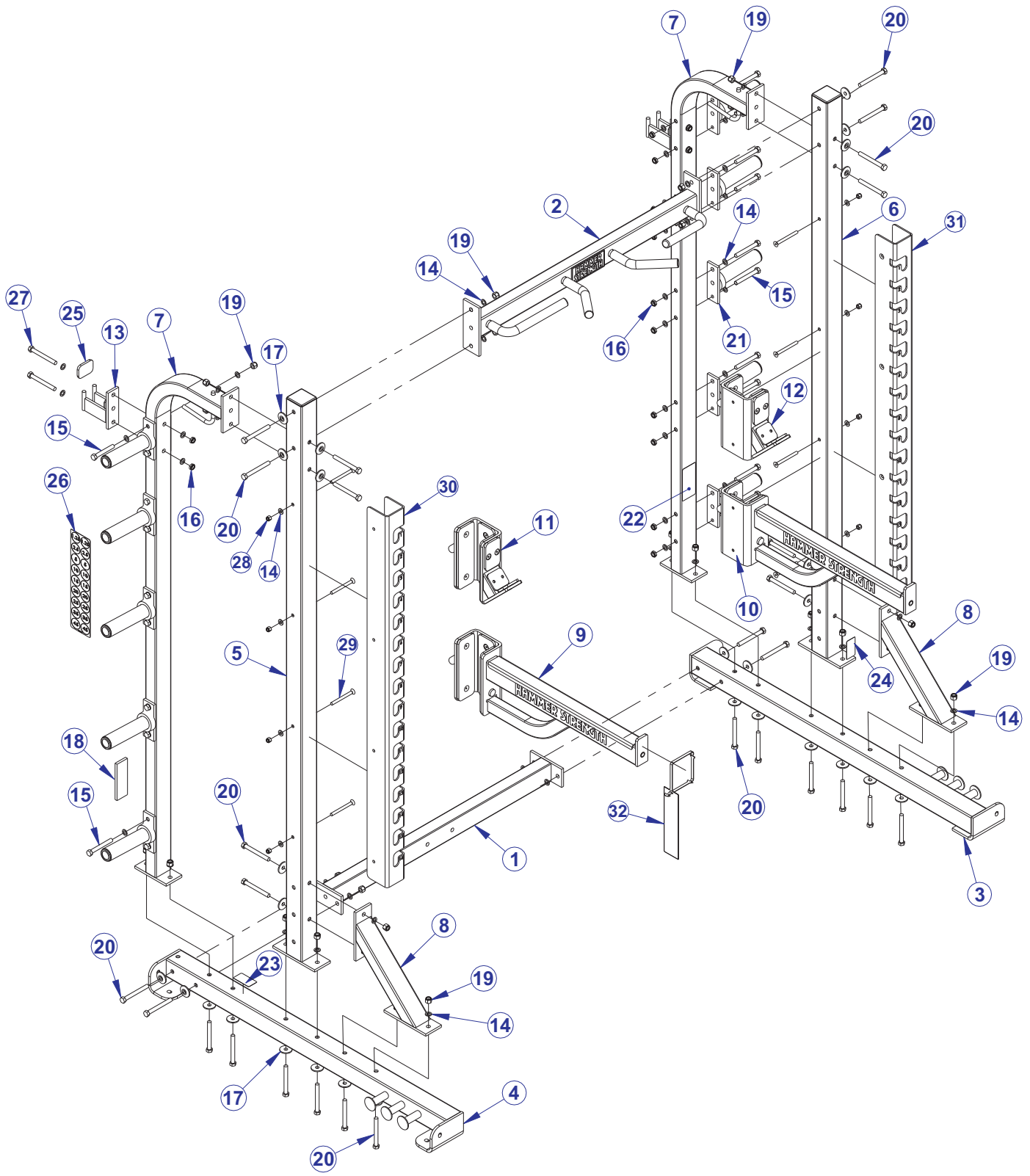
OPTIONAL DUAL PULL-UP SUPPORT ASSY..... 14

OPTIONAL THICK PULL-UP SUPPORT ASSY..... 15

OPTIONAL DOCK-N-LOCK ASSY..... 16

IMAGE..... 17

# HEAVY DUTY HALF RACK - HDHR8 & HDHR9 COMPONENT ASSEMBLY

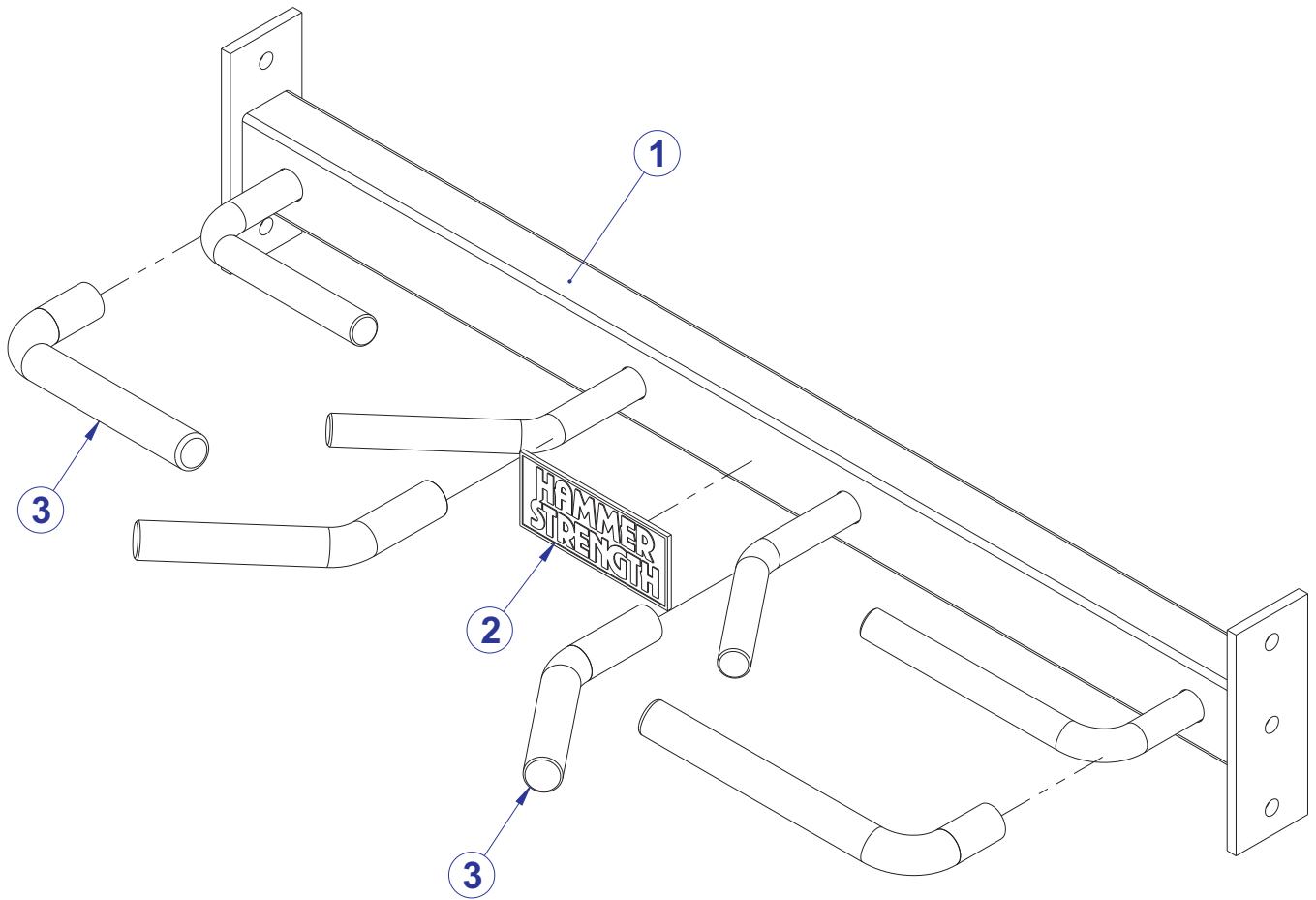


SEE PAGE 4 FOR LEGEND

# HEAVY DUTY HALF RACK - HDHR8 & HDHR9 COMPONENT ASSEMBLY LEGEND

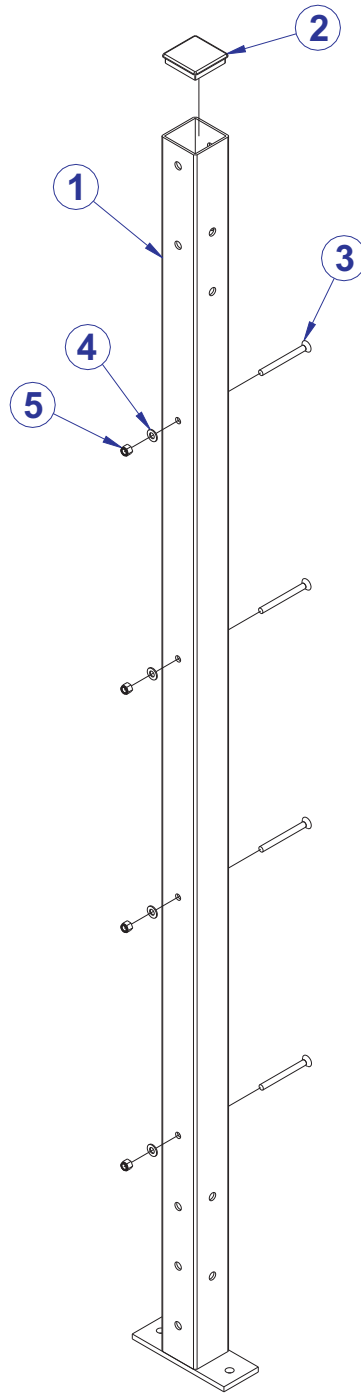
ITEM NO.	QTY.	HDHR8-B04 PART NO.	HDHR9-B04 PART NO.	DESCRIPTION	FRAME COLOR
1	1	HDHR8-RX-1	HDHR9-RX-1	WDMT, REAR CROSS TUBE	ANY
2	1	HDHR8-CPU-1	HDHR9-CPU-1	PTD ASSY, PULL-UP SUPPORT	ANY
3	1	HDHR8-LSFR-3	HDHR9-LSFR-3	WLDMT, UPRIGHT BASE RH	ANY
4	1	HDHR8-LSFL-3	HDHR9-LSFL-3	WLDMT, UPRIGHT, BASE LH	ANY
5	1	HDHR8-CFUPL-1	HDHR9-CFUPL-1	PTD ASSY, COMP FRT UPRIGHT LFT	ANY
6	1	HDHR8-CFUPR-1	HDHR9-CFUPR-1	PTD ASSY, COMP FRT UPRIGHT RT	ANY
7	2	HDHR8-RUP-1	HDHR9-RUP-1	WLDMT, REAR UPRIGHT	ANY
8	2	HDHR8-GST-0	HDHR9-GST-0	WDMNT, FRT SUPPORT GUSSET	ANY
9	1	HDHR8-CBCL-0	HDHR9-CBCL-0	PTD ASSY, BAR CATCH LEFT	BLACK
10	1	HDHR8-CBCR-0	HDHR9-CBCR-0	PTD ASSY, BAR CATCH RIGHT	BLACK
11	1	HDHR8-CBSL-0	HDHR9-CBSL-0	PTD ASSY, BAR SUPPORT LEFT	BLACK
12	1	HDHR8-CBSR-0	HDHR9-CBSR-0	PTD ASSY, BAR SUPPORT RIGHT	BLACK
13	2	HDHR8-OBS-0	HDHR9-OBS-0	WLDMT, OLYMPIC BAR STORAGE	ANY
14	68	WASH.5STAR	WASH.5STAR	1/2" INTERNAL LOCK WASHER	-
15	16	H-BOLT 1/2 X 4	H-BOLT 1/2 X 4	STEEL BOLT 1/2 X 4	-
16	16	NUT.5JAMLOCK	NUT.5JAMLOCK	1/2 THIN LOCK NUT	-
17	28	H-BACK-WASH	H-BACK-WASH	BACKING WASHER	-
18	2	H-PLATE-G3	H-PLATE-G3	LARGE PLATE GUARD	-
19	32	NUT.5LOCK	NUT.5LOCK	1/2 DIA THICK LOCK NUT	-
20	32	H-BOLT 1/2 X4.5 GR5	H-BOLT 1/2 X4.5 GR5	STEEL BOLT 1/2 X 4.5 GRADE 5	-
21	10	ANG-WT-HORN-ASSY	ANG-WT-HORN-ASSY	ANGLED WEIGHT HORN	-
22	1	8758401	8758401	FIXED BENCH WARNING DECAL	-
23	1	PATENT	PATENT	PATENT DECAL	-
24	1	SERIAL NUMBER	SERIAL NUMBER	SERIAL NUMBER	-
25	2	H-PLATE-G1	H-PLATE-G1	SMALL PLATE GUARD	-
26	1	8351801	8351801	LABEL, WEIGHT HORN, SHEET	-
27	4	H-BOLT 1/2 X 3	H-BOLT 1/2 X 3	STEEL BOLT 1/2 X 3	-
28	8	NUT.375LOCK	NUT.375LOCK	3/8 THICK LOCK NUT	-
29	8	3/8 X 4 FHSCS	3/8 X 4 FHSCS	0.375 X 4 INCH FLAT HEAD CAP SCREW	-
30	1	HD-LH-RACK-PTDBLK-0	HD-LH-RACK-PTDBLK-0	HD ADJUSTMENT RACK LEFT - STANDARD	BLACK
	-OR-				
	1	HD-LH-RACK-ZNGRAIN-0	HD-LH-RACK-ZNGRAIN-0	HD ADJUSTMENT RACK LEFT - PREMIUM	GRAIN
31	1	HD-RH-RACK-PTDBLK-0	HD-RH-RACK-PTDBLK-0	HD ADJUSTMENT RACK RIGHT - STANDARD	BLACK
	-OR-				
	1	HD-RH-RACK-ZNGRAIN-0	HD-RH-RACK-ZNGRAIN-0	HD ADJUSTMENT RACK RIGHT - PREMIUM	GRAIN
32	1	8343101	8343101	TAG, BOLT TO FLOOR	-

# HEAVY DUTY HALF RACK - HDHR8 & HDHR9 BASE PULL-UP SUPPORT ASSEMBLY



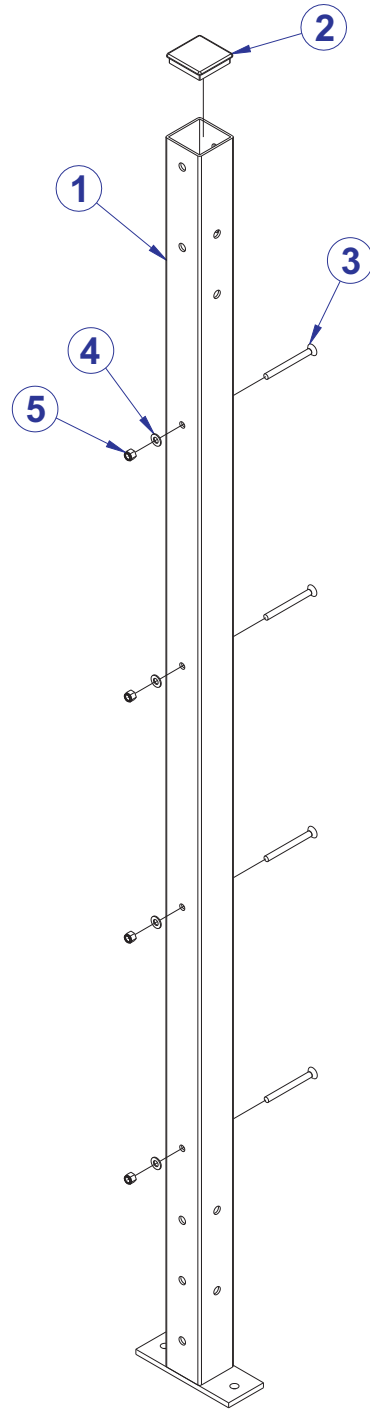
ITEM NO.	QTY.	HDHR8-B04 PART NO.	HDHR9-B04 PART NO.	DESCRIPTION	FRAME COLOR
1	1	HDHR8-PU-1	HDHR9-PU-1	WLDMT, PULL-UP SUPPORT (HDHR)	ANY
2	1	H-NAME PLATE	H-NAME PLATE	HAMMER STRENGTH BADGE	-
3	4	H-GRIP	H-GRIP	HAMMER GRIP	-

# HEAVY DUTY HALF RACK - HDHR8 & HDHR9 RIGHT FRONT UPRIGHT ASSEMBLY



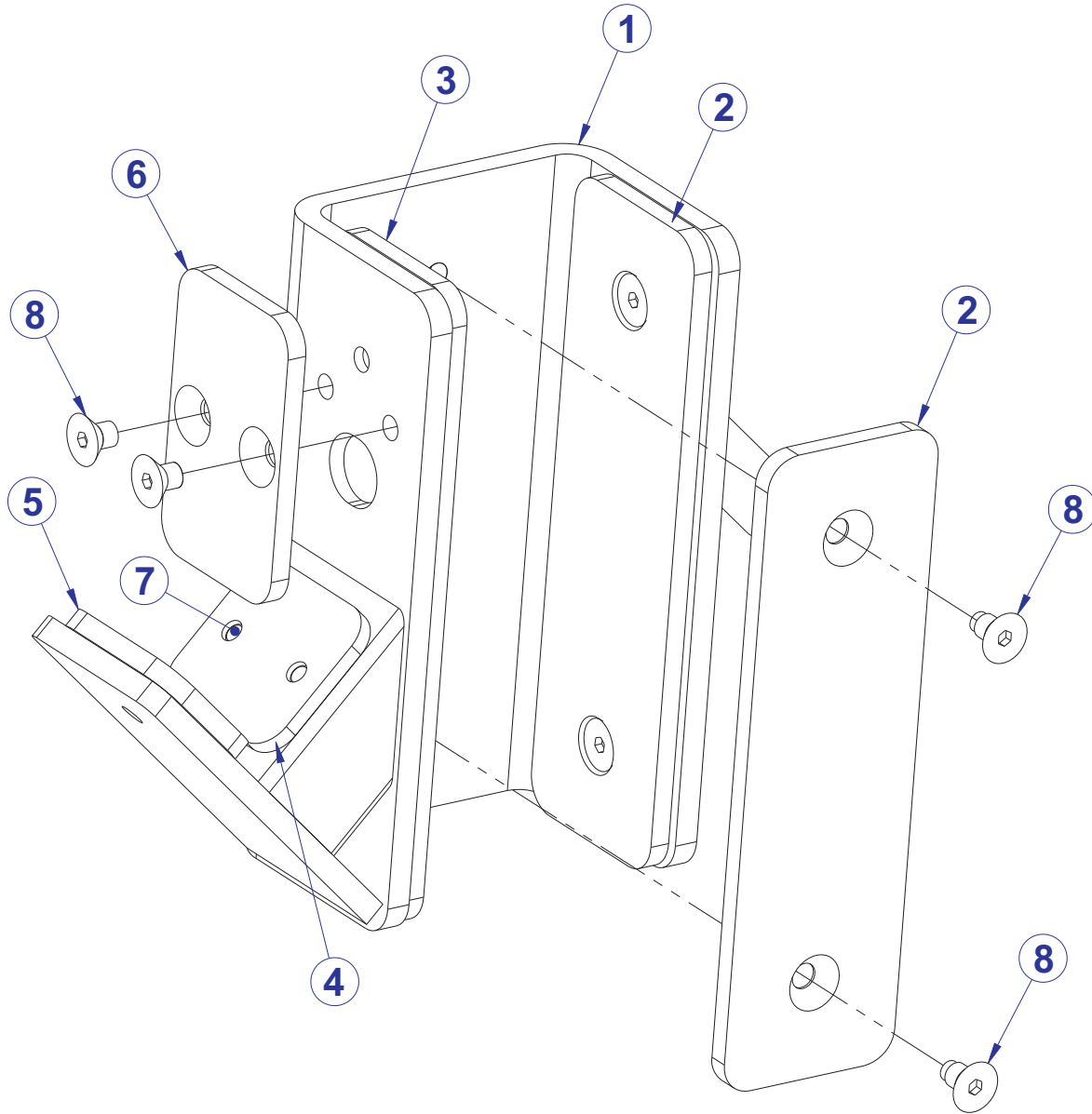
ITEM NO.	QTY.	HDHR8-B04 PART NO.	HDHR9-B04 PART NO.	DESCRIPTION	FRAME COLOR
1	1	HDHR8-FUP-0	HDHR9-FUP-0	WLDMT, UPRIGHT	ANY
2	1	SQ-24-1	SQ-24-1	3 X 3 END CAP	-
3	4	3/8 X 4 FHSCS	3/8 X 4 FHSCS	0.375 X 4" FLAT HEAD CAP SCREW	-
4	4	WASH.375SAE	WASH.375SAE	3/8" SAE FLAT WASHER	-
5	4	NUT.375LOCK	NUT.375LOCK	3/8 THICK LOCK NUT	-

# HEAVY DUTY HALF RACK - HDHR8 & HDHR9 LEFT FRONT UPRIGHT ASSEMBLY



ITEM NO.	QTY.	HDHR8-B04 PART NO.	HDHR9-B04 PART NO.	DESCRIPTION	FRAME COLOR
1	1	HDHR8-FUP-0	HDHR9-FUP-0	WLDMT, UPRIGHT	ANY
2	1	SQ-24-1	SQ-24-1	3 X 3 END CAP	-
3	4	3/8 X 4 FHSCS	3/8 X 4 FHSCS	0.375 X 4" FLAT HEAD CAP SCREW	-
4	4	WASH.375SAE	WASH.375SAE	3/8" SAE FLAT WASHER	-
5	4	NUT.375LOCK	NUT.375LOCK	3/8 THICK LOCK NUT	-

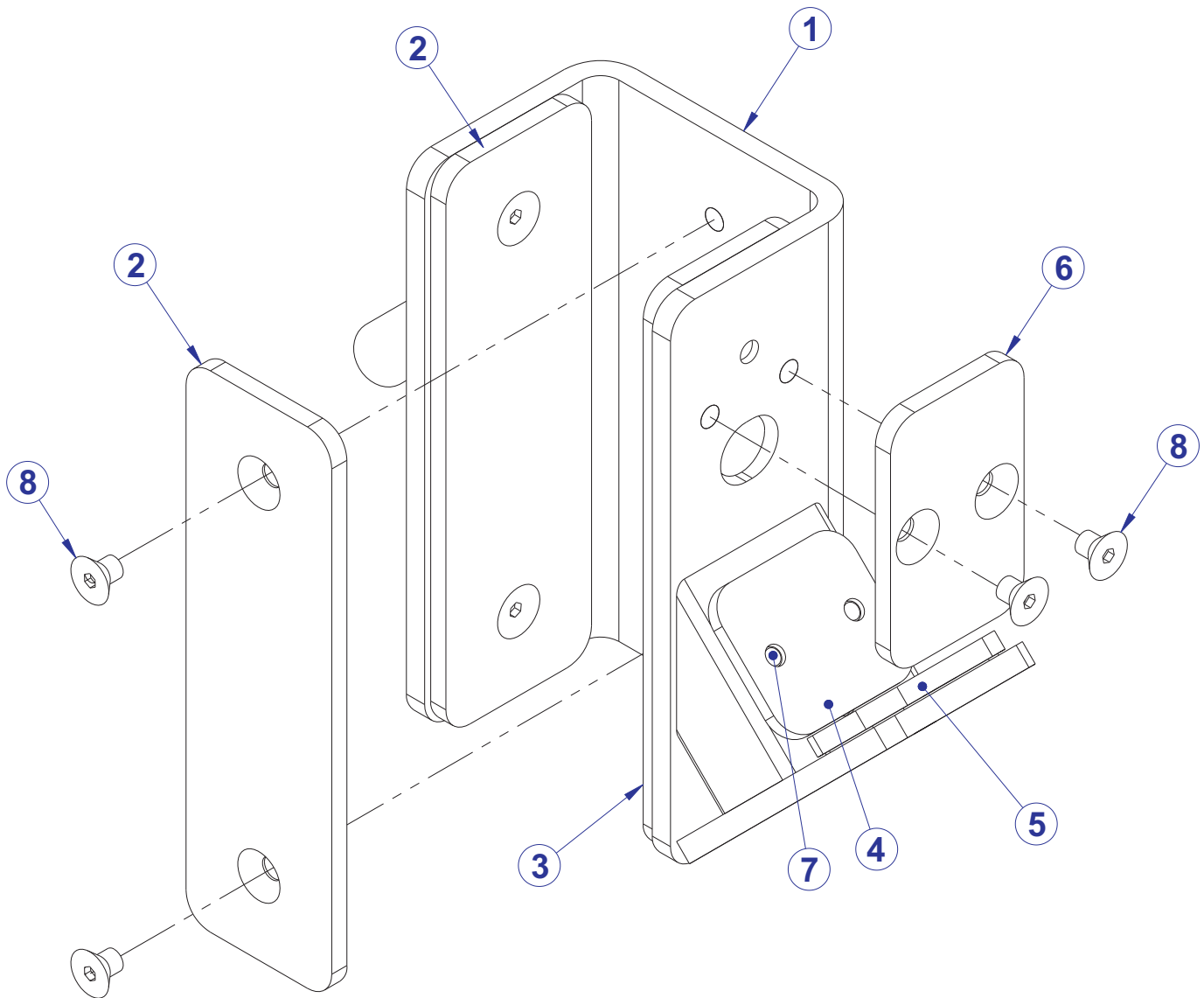
# HEAVY DUTY HALF RACK - HDHR8 & HDHR9 RIGHT BAR SUPPORT ASSEMBLY



ITEM NO.	QTY.	HDHR8-B04 PART NO.	HDHR9-B04 PART NO.	DESCRIPTION	FRAME COLOR
1	1	HDHR8-BSR-0	HDHR9-BSR-0	WLDMT, BAR SUPPORT RIGHT	BLACK
2	2	HD-BKT-PNT-GRD-02	HD-BKT-PNT-GRD-02	PAINT GUARD, 10" X 3"	-
3	1	HD-BKT-PNT-GRD-HOLES-02	HD-BKT-PNT-GRD-HOLES-02	PAINT GRD, 10" X 3" w/ 1.5" HOLES	-
4	1	HD-BS-PNT-GRD-MED-00	HD-BS-PNT-GRD-MED-00	BAR SUPT LOWER PNT GRD	-
5	1	HD-BS-PNT-GRD-SML-02	HD-BS-PNT-GRD-SML-02	BAR SUPT SML PNT GRD	-
6	1	HD-BS-PNT-GRD-LRG-02	HD-BS-PNT-GRD-LRG-02	BAR SUPT FRT PNT GRD	-
7	2	RIVET	RIVET	RIVET 5/32 X 3/8	-
8	9	3/8 X 1/2 FHSCS	3/8 X 1/2 FHSCS	0.375 X 1/2" FLAT HEAD CAP SCREW	-

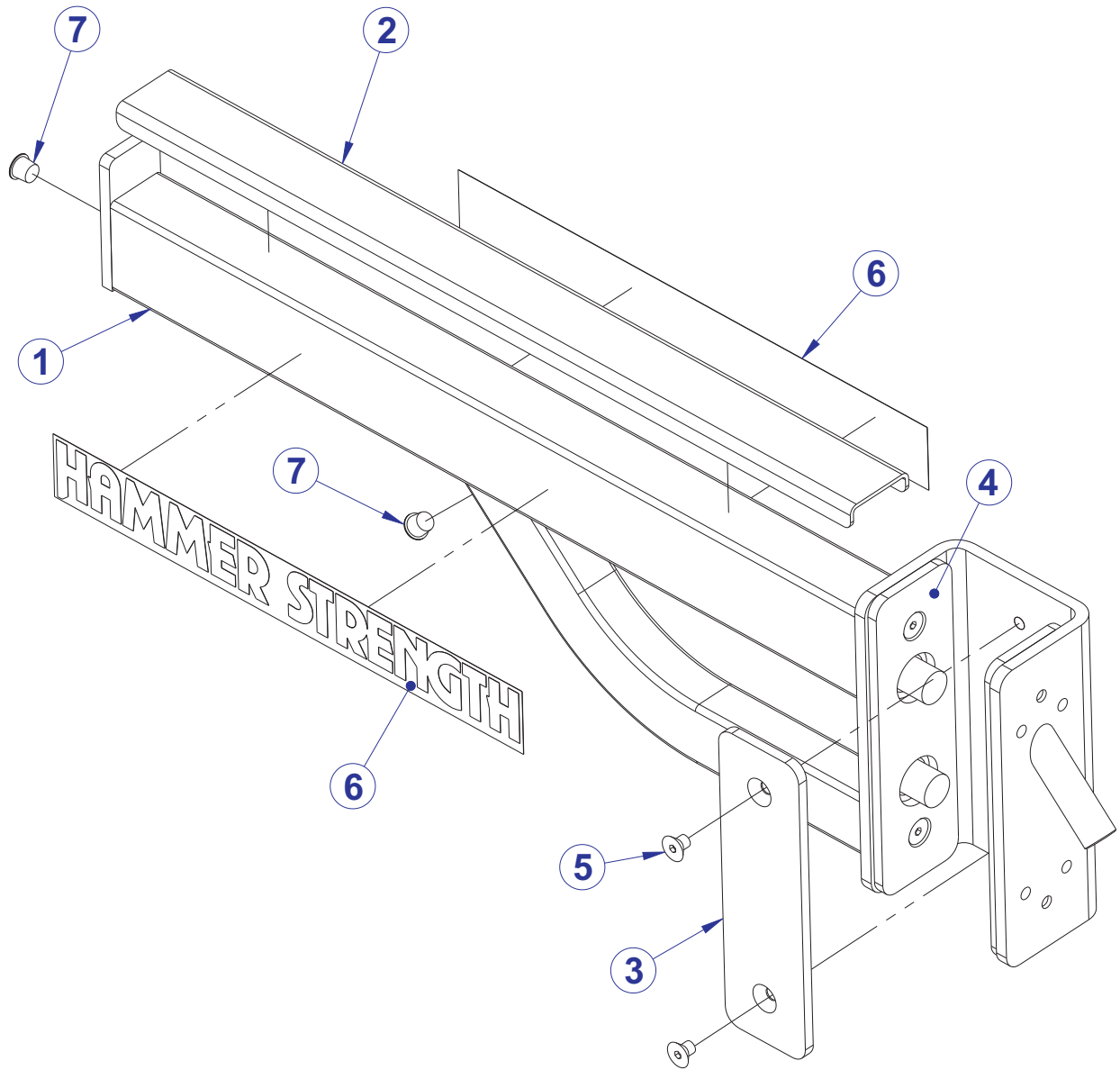


# HEAVY DUTY HALF RACK - HDHR8 & HDHR9 LEFT BAR SUPPORT ASSEMBLY



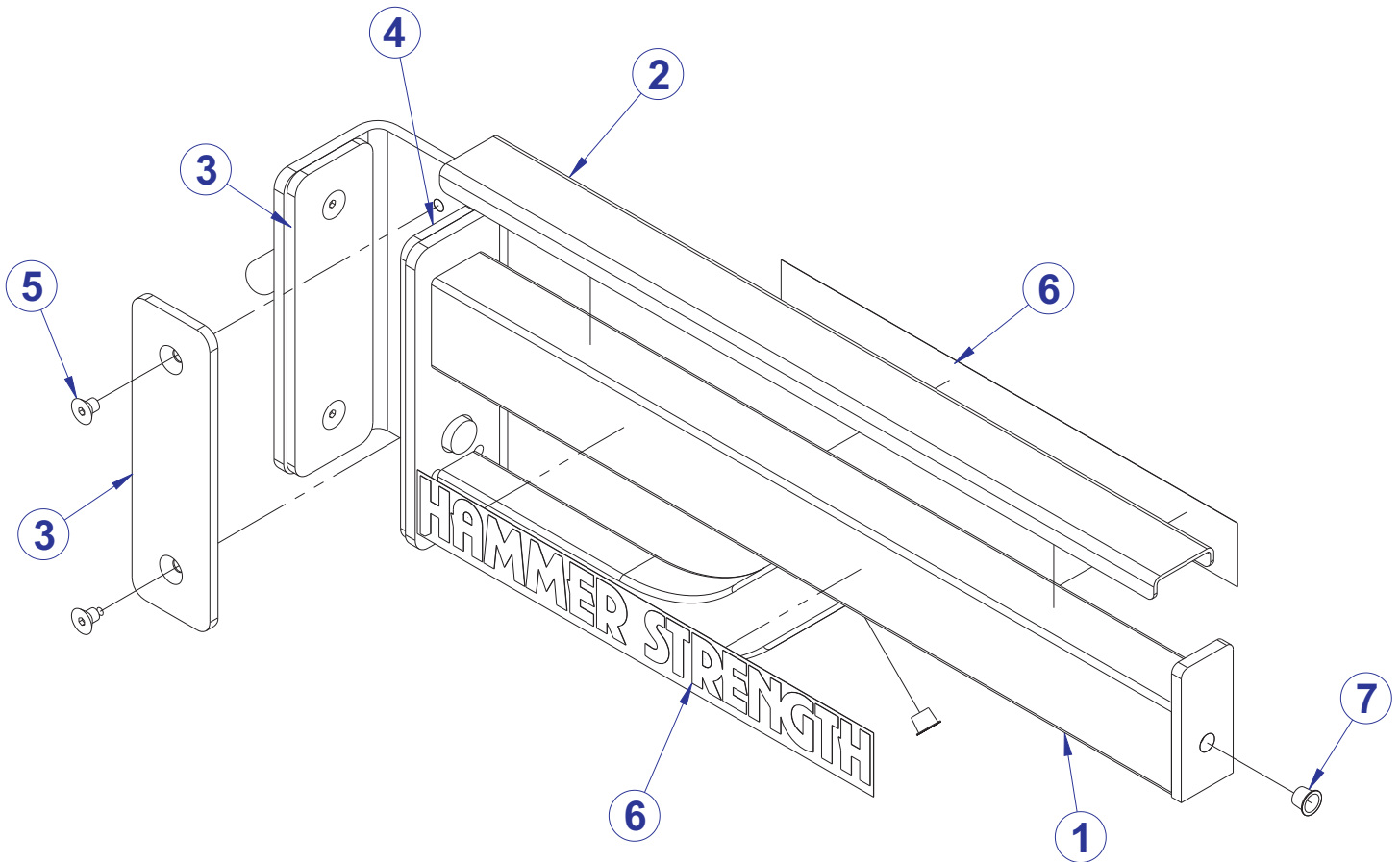
ITEM NO.	QTY.	HDHR8-B04 PART NO.	HDHR9-B04 PART NO.	DESCRIPTION	FRAME COLOR
1	1	HDHR8-BSL-0	HDHR9-BSL-0	WLDMT, BAR SUPPORT LEFT	BLACK
2	2	HD-BKT-PNT-GRD-02	HD-BKT-PNT-GRD-02	PAINT GUARD, 10" X 3"	-
3	1	HD-BKT-PNT-GRD-HOLES-02	HD-BKT-PNT-GRD-HOLES-02	PAINT GRD, 10" X 3" w/ 1.5" HOLES	-
4	1	HD-BS-PNT-GRD-MED-00	HD-BS-PNT-GRD-MED-00	BAR SUPT LOWER PNT GRD	-
5	1	HD-BS-PNT-GRD-SML-02	HD-BS-PNT-GRD-SML-02	BAR SUPT SML PNT GRD	-
6	1	HD-BS-PNT-GRD-LRG-02	HD-BS-PNT-GRD-LRG-02	BAR SUPT FRT PNT GRD	-
7	2	RIVET	RIVET	RIVET 5/32 X 3/8	-
8	9	3/8 X 1/2 FHSCS	3/8 X 1/2 FHSCS	0.375 X 1/2" FLAT HEAD CAP SCREW	-

# HEAVY DUTY HALF RACK - HDHR8 & HDHR9 RIGHT BAR CATCH ASSEMBLY



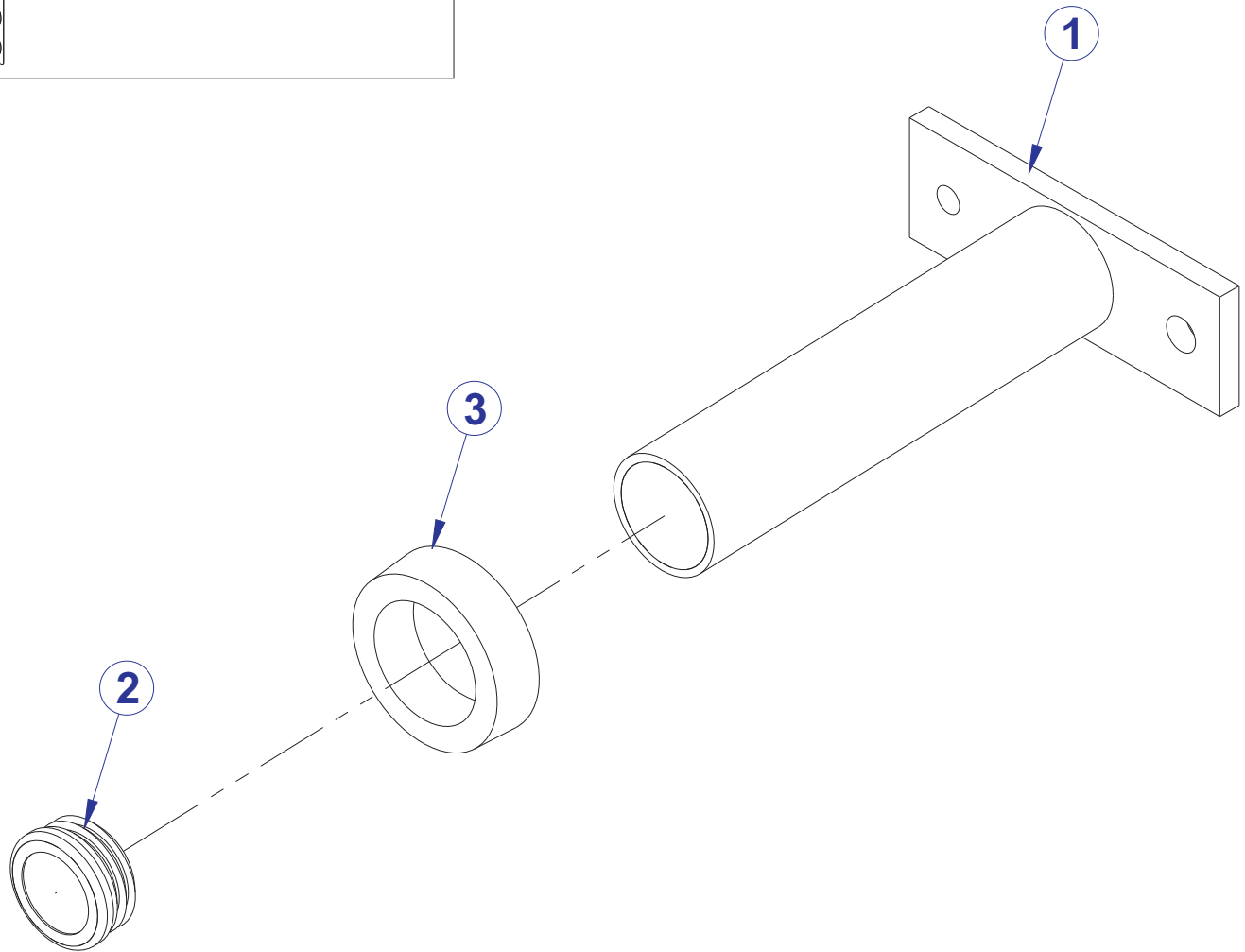
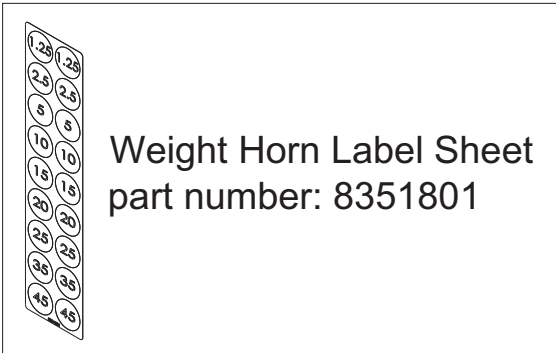
ITEM NO.	QTY.	HDHR8-B04 PART NO.	HDHR9-B04 PART NO.	DESCRIPTION	FRAME COLOR
1	1	HDHR8-BCR-0	HDHR9-BCR-0	WLDMT, BAR CATCH RIGHT	BLACK
2	1	HD-BC-PNT-GRD-SML-00	HD-BC-PNT-GRD-SML-00	BAR CATCH PAINT GUARD TOP (27.5)	-
3	2	HD-BKT-PNT-GRD-02	HD-BKT-PNT-GRD-02	PAINT GUARD, 10" X 3"	-
4	1	HD-BKT-PNT-GRD-HOLES-02	HD-BKT-PNT-GRD-HOLES-02	PAINT GRD, 10" X 3" w/ 1.5" HOLES	-
5	6	3/8 X 1/2 FHSCS	3/8 X 1/2 FHSCS	0.375 X 1/2" FLAT HEAD CAP SCREW	-
6	2	H-DECAL-LOGO	H-DECAL-LOGO	HAMMER STRENGTH LARGE DECAL	-
7	2	H-HPLUG(REG)	H-HPLUG(REG)	9/16IN HOLE PLUG	-

# HEAVY DUTY HALF RACK - HDHR8 & HDHR9 LEFT BAR CATCH ASSEMBLY



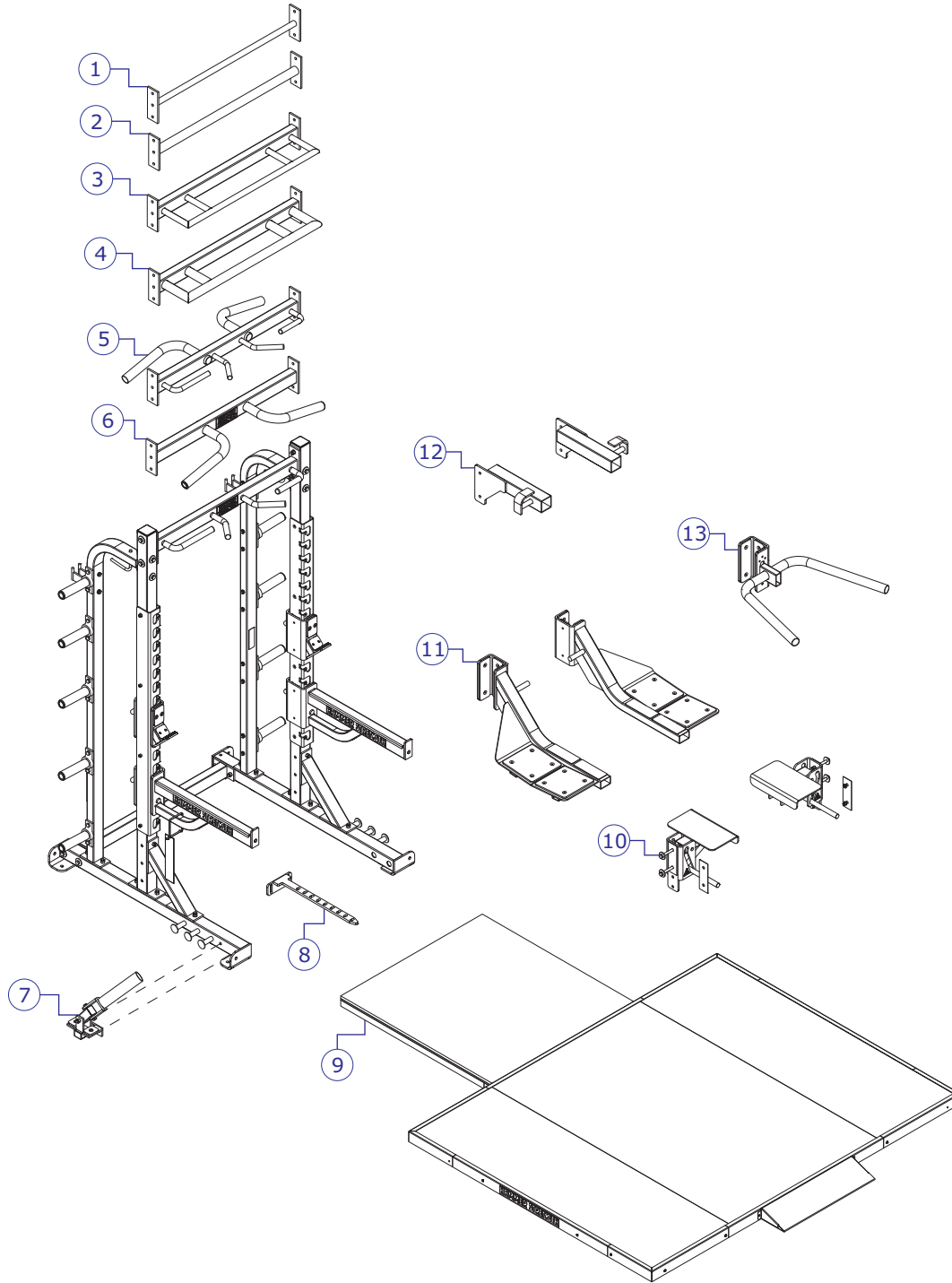
ITEM NO.	QTY.	HDHR8-B04 PART NO.	HDHR9-B04 PART NO.	DESCRIPTION	FRAME COLOR
1	1	HDHR8-BCL-0	HDHR9-BCL-0	WLDMT, BAR CATCH LEFT	BLACK
2	1	HD-BC-PNT-GRD-SML-00	HD-BC-PNT-GRD-SML-00	BAR CATCH PAINT GUARD TOP (27.5)	-
3	2	HD-BKT-PNT-GRD-02	HD-BKT-PNT-GRD-02	PAINT GUARD, 10" X 3"	-
4	1	HD-BKT-PNT-GRD-HOLES-02	HD-BKT-PNT-GRD-HOLES-02	PAINT GRD, 10" X 3" w/ 1.5" HOLES	-
5	6	3/8 X 1/2 FHSCS	3/8 X 1/2 FHSCS	0.375 X 1/2" FLAT HEAD CAP SCREW	-
6	2	H-DECAL-LOGO	H-DECAL-LOGO	HAMMER STRENGTH LARGE DECAL	-
7	2	H-HPLUG(REG)	H-HPLUG(REG)	9/16IN HOLE PLUG	-

# HEAVY DUTY HALF RACK - HDHR8 & HDHR9 ANGLED WEIGHT HORN ASSEMBLY



ITEM NO.	QTY.	HDHR8-B04 PART NO.	HDHR9-B04 PART NO.	DESCRIPTION	FRAME COLOR
1	1	ANG-WT-HORN-ASSY	ANG-WT-HORN-ASSY	WDMNT, ANGLED WEIGHT HORN	PLATED
2	1	H-RUBCAP2	H-RUBCAP2	PLUG, HAMMER WEIGHT HORN	-
3	1	H-RUBRNG	H-RUBRNG	MM5 RING	-

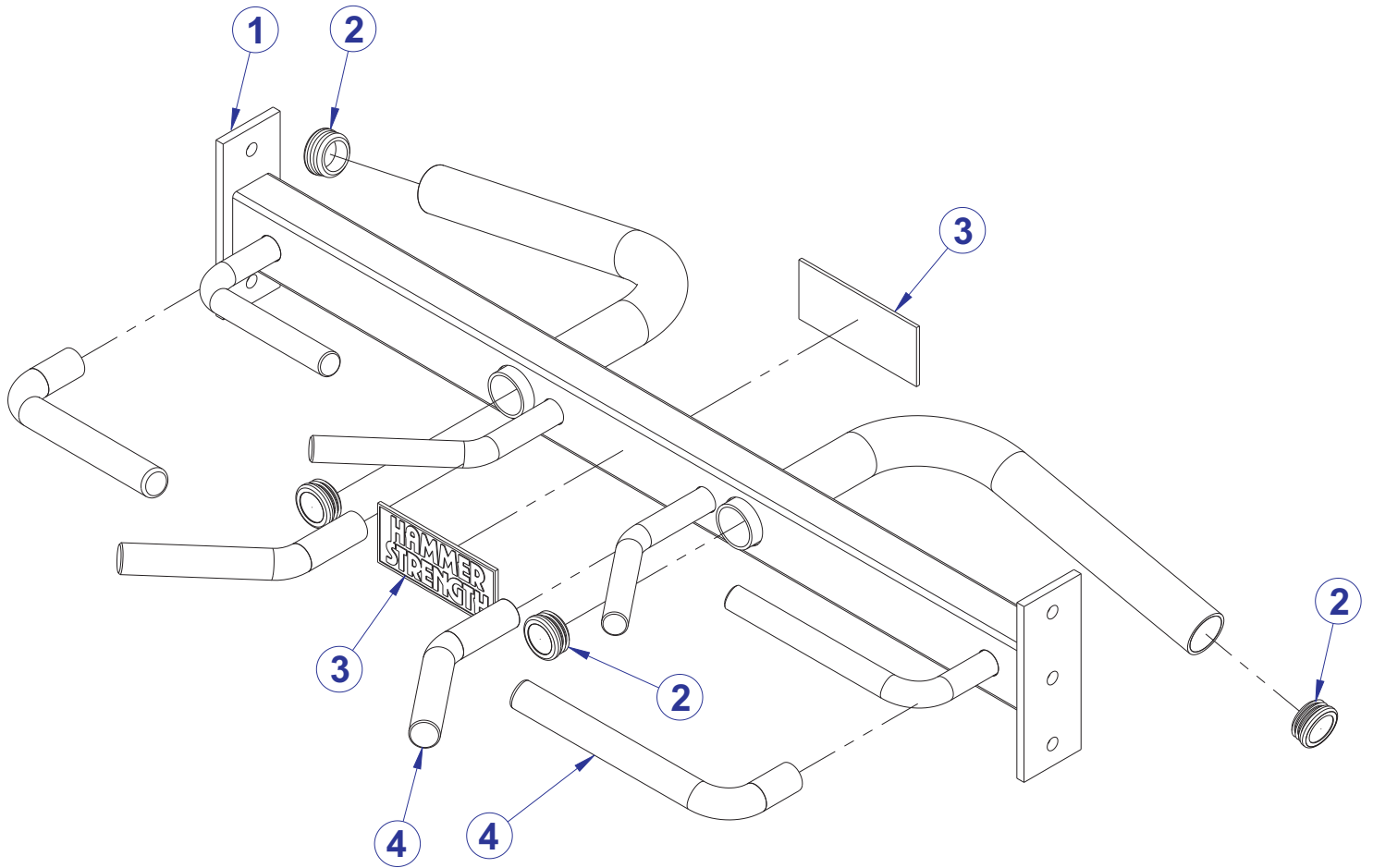
# HEAVY DUTY HALF RACK - HDHR8 & HDHR9 OPTIONAL EQUIPMENT



ITEM NO.	HDHR8-B04 ACCESSORY NAME	HDHR9-B04 ACCESSORY NAME	DESCRIPTION	FRAME COLOR
1	HDSSPU-PU-0	HDSSPU-PU-0	STD STRAIGHT PULL UP	ANY
2	HDTSPU-PU-0	HDTSPU-PU-0	THICK STRAIGHT PULL UP	ANY
3	HDSNPU-PU-0	HDSNPU-PU-0	STD NEUTRAL PULL UP	ANY
4	HDTNPU-PU-0	HDTNPU-PU-0	THICK NEUTRAL PULL UP	ANY
5	HDTPU-CPU-0	HDTPU-CPU-0	ASSY, THICK PULL-UP	ANY
6	HDDPU-CPU-0	HDDPU-CPU-0	ASSY, DUAL PULL UP	ANY
7	HDLM	HDLM	HD LAND MINE ATTACHMENT (EITHER SIDE)	ANY
8	HDDL5	HDDL5	HEAVY DUTY DOCK LOCK SHORT (FOR HR, PR, MR)	PLATED
9	HDSI4X8	HDSI4X8	HD 4X8 PLATFORM, SHORT INSERT (NOT SHOWN)	-
	HDSI6X8	HDSI6X8	HD 6X8 PLATFORM, SHORT INSERT (SHOWN)	-
10	HDSP	HDSP	ASSY, SPOTTER PLATFORM (SET of 2)	BLACK
11	HDTT	HDTT	HEAVY DUTY TECHNIQUE TRAY (SET of 2)	BLACK
12	HDUBP	HDUBP	ASSY, UPPER BAND PEGS (SET of 2)	BLACK
13	HDDIP	HDDIP	HEAVY DUTY DIP HANDLE	BLACK

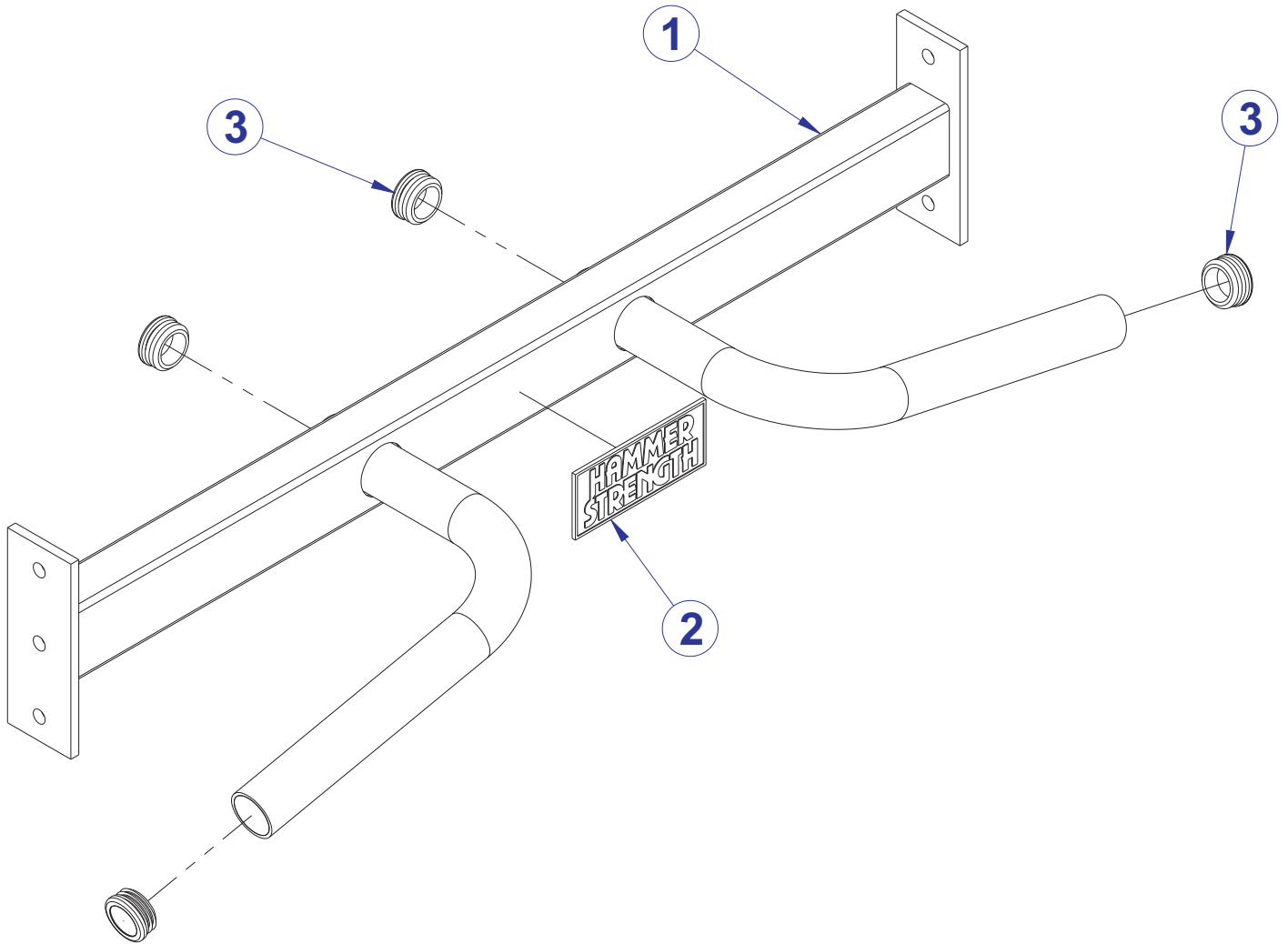
CONTACT LF SALES FOR HD ACCESSORIES

# HEAVY DUTY HALF RACK - HDHR8 & HDHR9 OPTIONAL DUAL PULL-UP SUPPORT ASSY.



ITEM NO.	QTY.	HDHR8-B04 PART NO.	HDHR9-B04 PART NO.	DESCRIPTION	FRAME COLOR
1	1	HDDPU-PU-0	HDDPU-PU-0	W LDMT, PULL-UP SUPPORT (HDHR)	ANY
2	4	H-RUBCAP2	H-RUBCAP2	PLUG, HAMMER WEIGHT HORN	-
3	2	H-NAME PLATE	H-NAME PLATE	NAMEPLATE (45156-P)	-
4	4	H-GRIP	H-GRIP	HAMMER GRIP	-

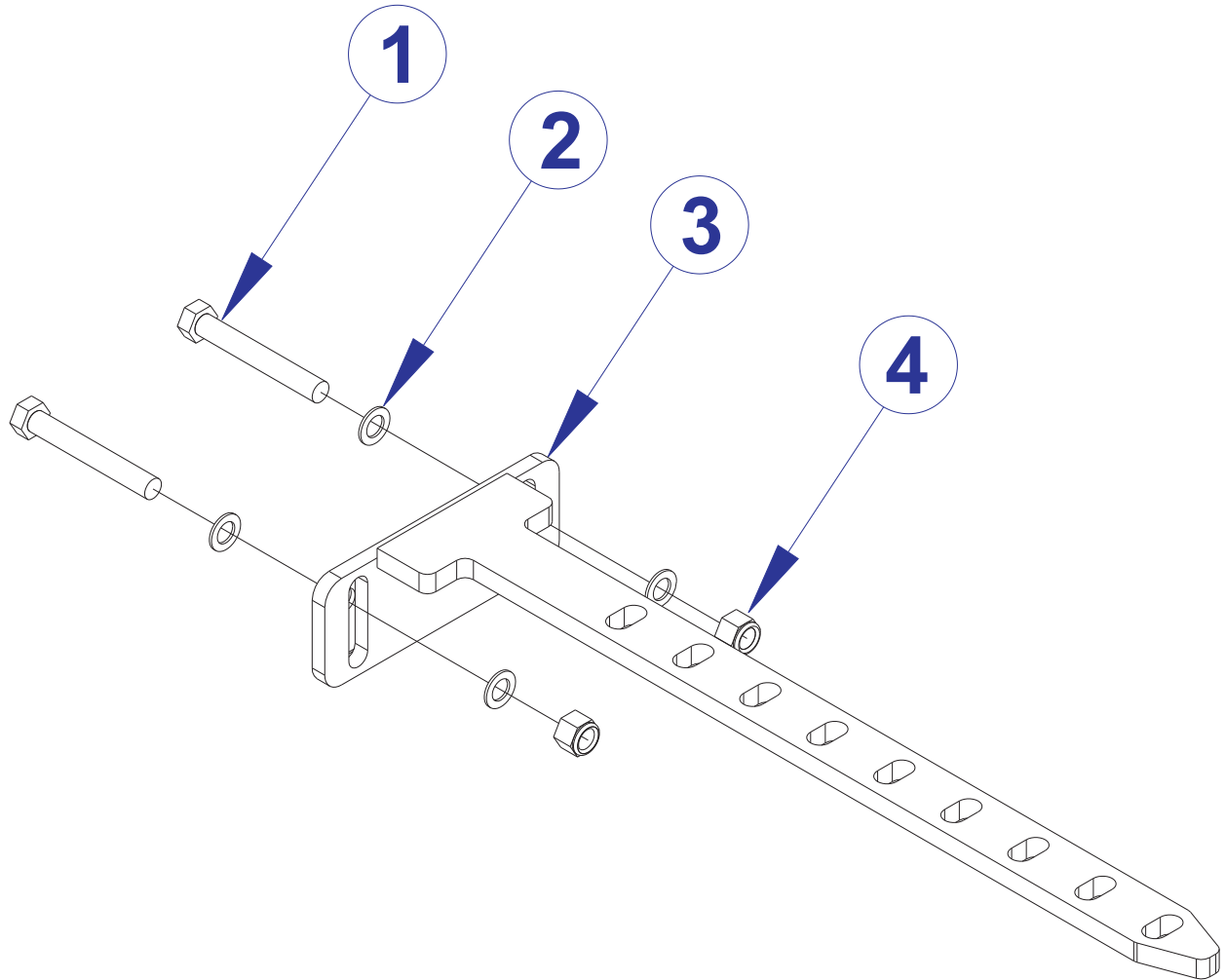
# HEAVY DUTY HALF RACK - HDHR8 & HDHR9 OPTIONAL THICK PULL-UP SUPPORT ASSY.



ITEM NO.	QTY.	HDHR8-B04 PART NO.	HDHR9-B04 PART NO.	DESCRIPTION	FRAME COLOR
1	1	HDTPU-PU-0	HDTPU-PU-0	WLDMT, THICK PULL UP BAR	ANY
2	1	H-NAME PLATE	H-NAME PLATE	NAMEPLATE (45156-P)	-
3	4	H-RUBCAP2	H-RUBCAP2	PLUG, HAMMER WEIGHT HORN	-

# HEAVY DUTY HALF RACK - HDHR8 & HDHR9 OPTIONAL DOCK-N-LOCK

---



ITEM NO.	QTY.	HDHR8-B04 PART NO.	HDHR9-B04 PART NO.	DESCRIPTION	FRAME COLOR
1	1	HHB.5X3.5	HHB.5X3.5	1/2 X 3-1/2 BOLT	-
2	2	WASH.5STAR	WASH.5STAR	1/2 INTERNAL LOCK WASHER	-
3	4	HD-SDL-1	HD-SDL-1	WLDMT, SHORT DOCK-LOCK PLATED	PLATED
4	2	NUT.5JAMLOCK	NUT.5JAMLOCK	1/2 THIN LOCK NUT	-



# HEAVY DUTY HALF RACK - HDHR8 & HDHR9 IMAGE

---



Shown with optional: HDADJ Bench  
HDSP Spotter Platform  
HDUBP Upper Band Pegs  
HDDL5 Dock & Lock