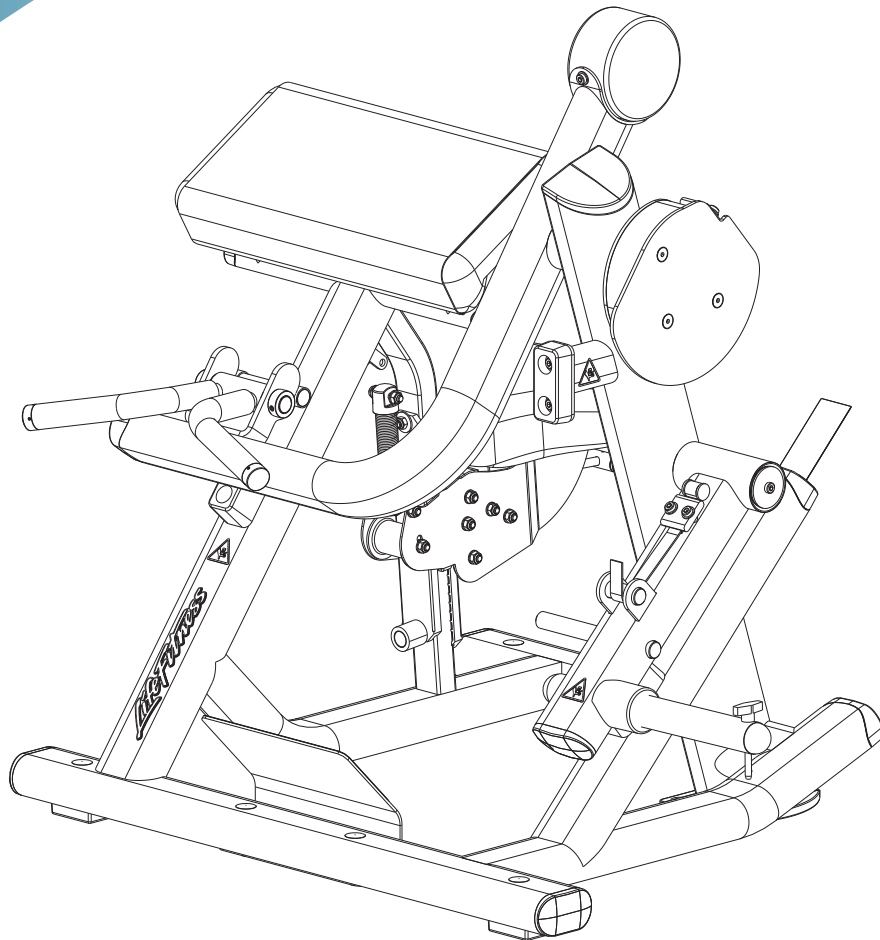


# Signature Plate Loaded Series Biceps Curl

SPLBC

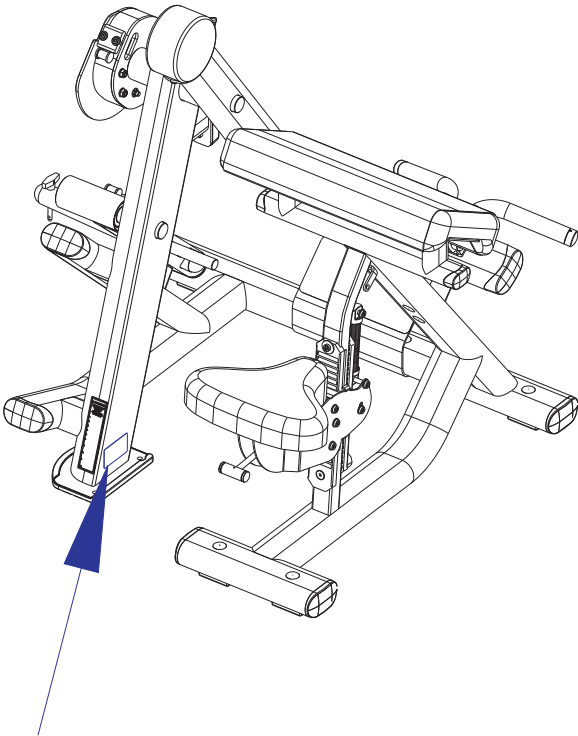
CUSTOMER SUPPORT SERVICES  
Parts List



# SPLBC Signature Plate Loaded Biceps Curl Contents

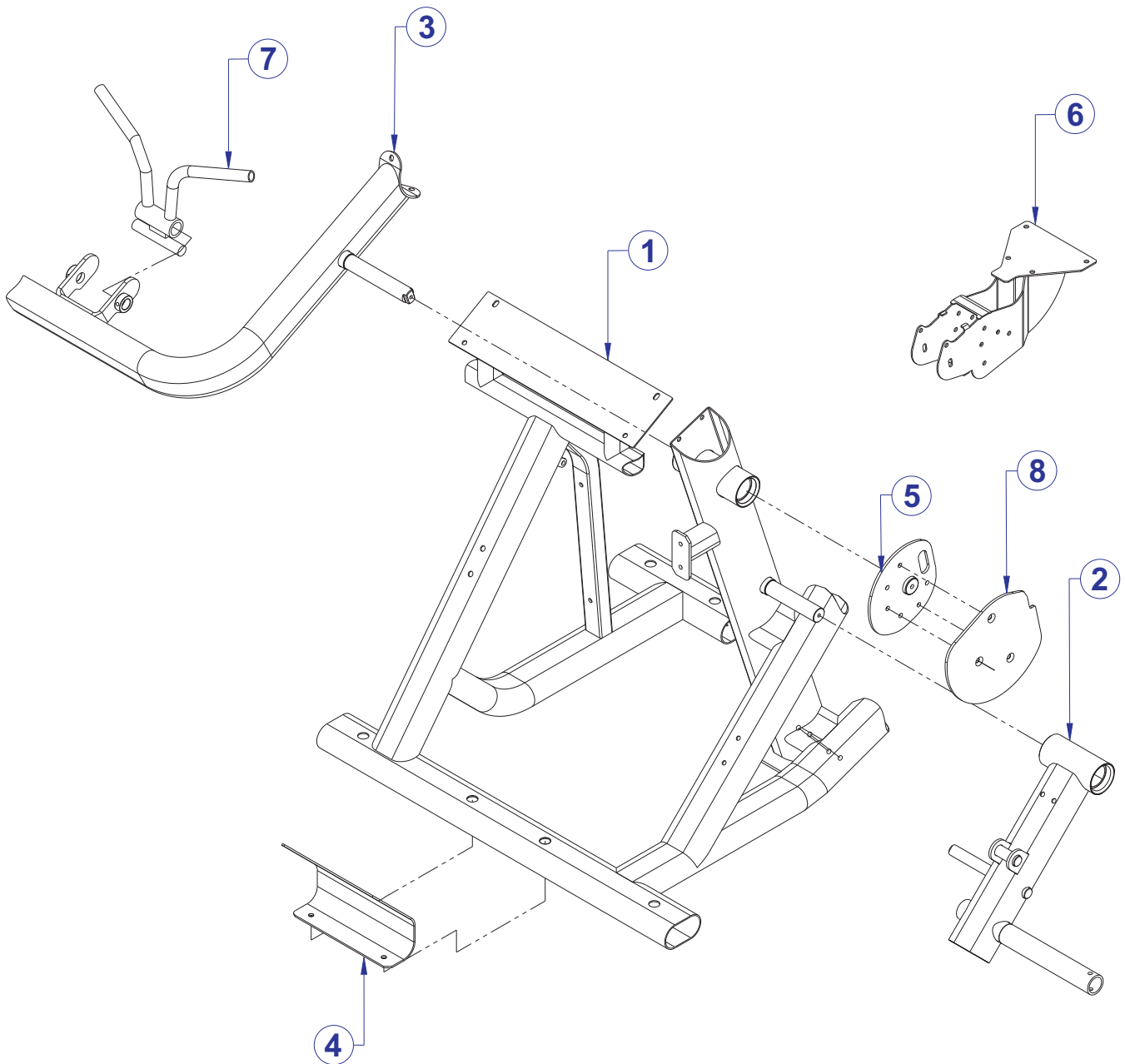
---

Painted Frame Weldments.....	3
Component Assembly.....	4
Component Assembly Legend.....	5
Seat Assembly.....	6
Elbow Pad Assembly.....	7
Labels and Placards.....	8
Image.....	9



**Serial Number Label**

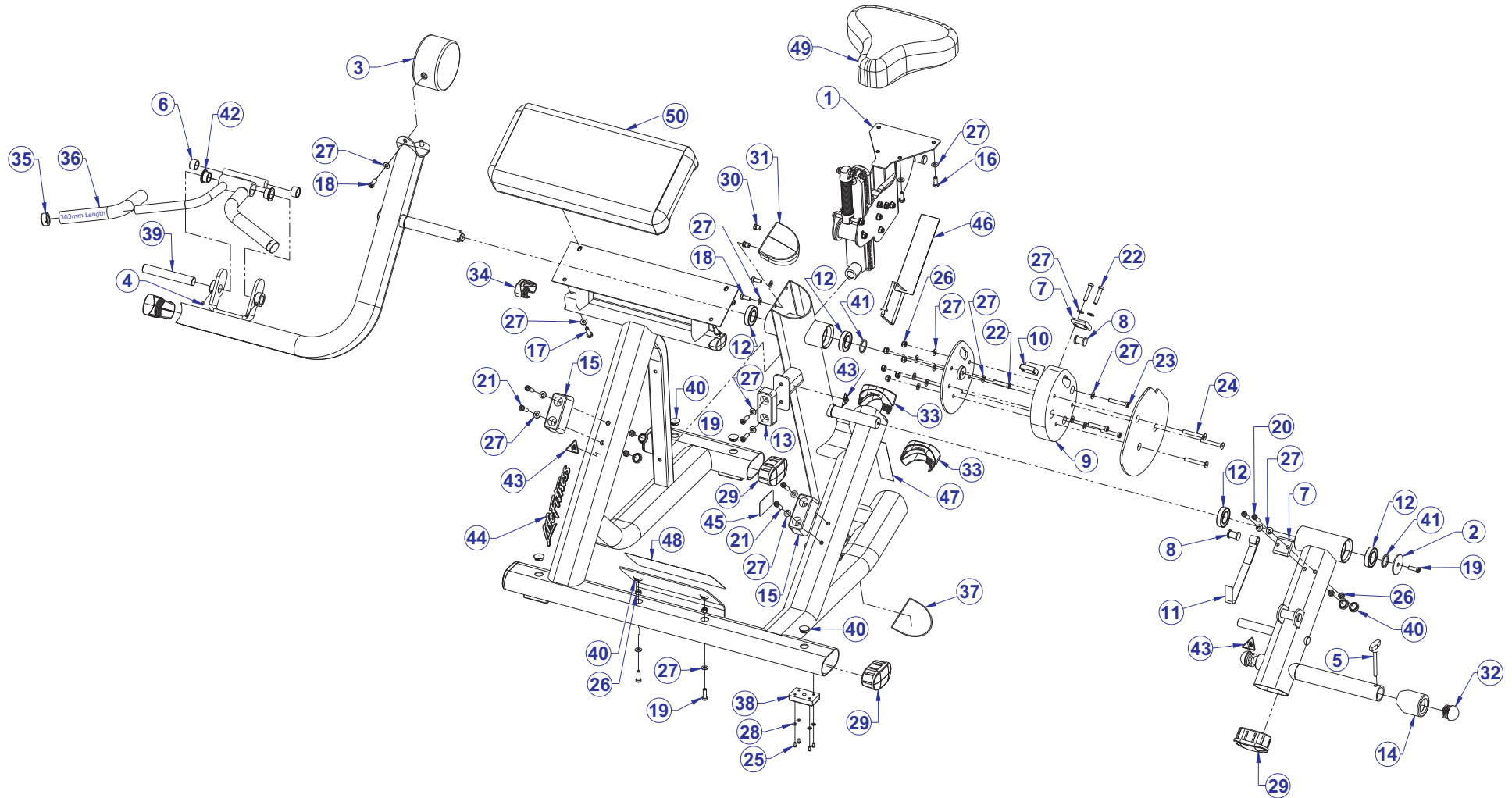
# SPLBC Signature Plate Loaded Biceps Curl Painted Frame Weldments



ITEM NO.	QTY.	PART NO.	DESCRIPTION	COLOR
1	1	8745300	WLDMT, SPLBC MAIN FRAME	FRAME
2	1	8749400	WLDMNT, SPLBC WEIGHT ARM	WORKARM
3	1	8746400	WLDMT, SPLBC WORKARM	WORKARM
4	1	8811601	BRKT, SPLROW, PLACARD MOUNT	FRAME
5	1	8746700	WLDMT, SPLBC, CAM ASSY	WORKARM
6	1	8718300	WLDMT, SPL 90<MOD-DEG> SEAT, REVERSED	FRAME
7	1	7383301	WLDMT, PSBC- HANDLE BAR ASSY	WORKARM
8	1	8850001	PLATE, SPLBC, SIDE GAURD, CAM	WORKARM

NOTES: -Include frame color within order notes.  
 -Workarm color option uses two paint colors; one color for workarms, one color for base frame.

# SPLBC Signature Plate Loaded Biceps Curl Component Assembly



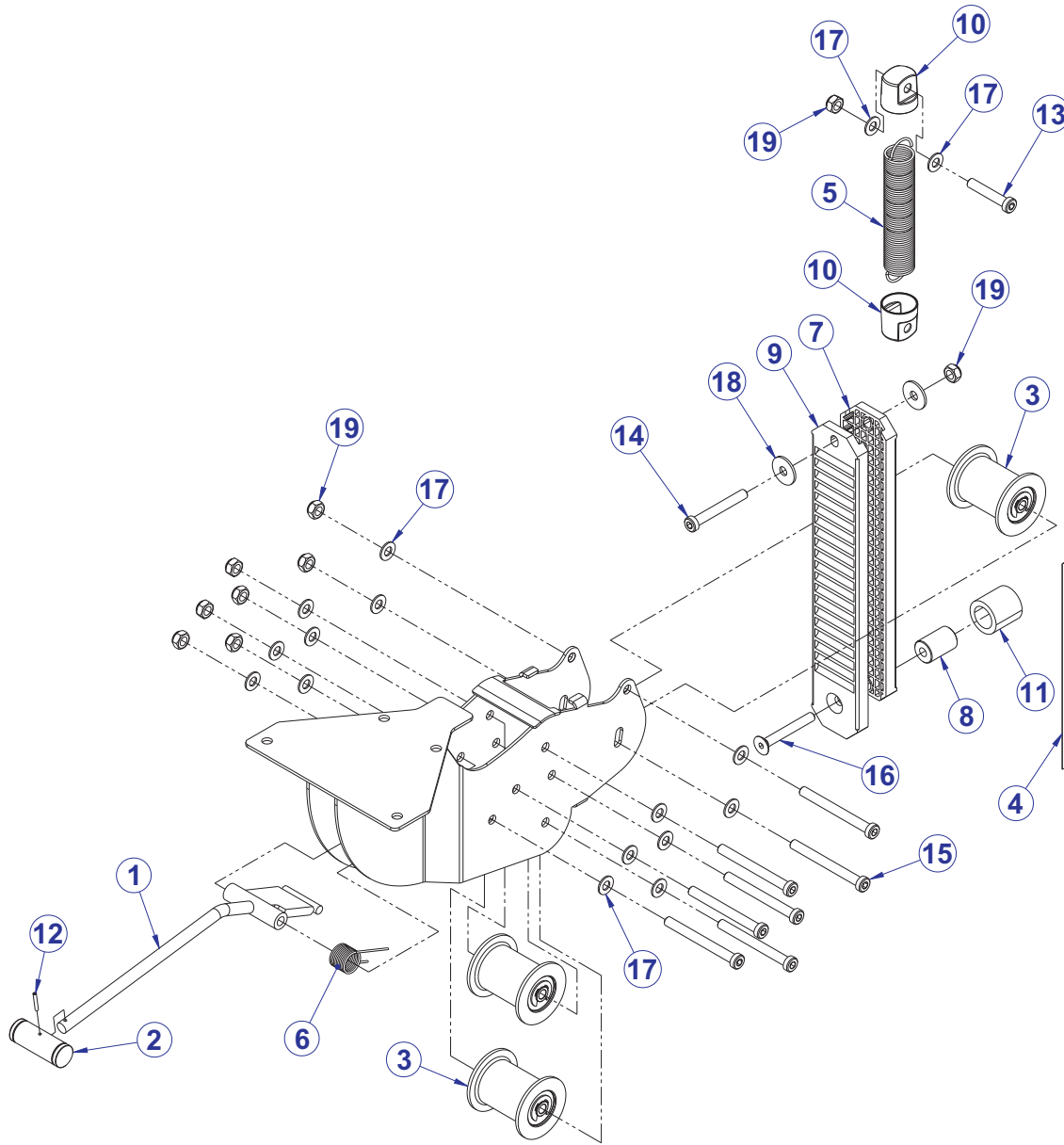
SEE PAGE 5 FOR LEGEND

# SPLBC Signature Plate Loaded Biceps Curl Component Assembly Legend

ITEM NO.	QTY.	PART NO.	DESCRIPTION
1	1	8718901	ASSY, SPL 90 DEG ROLLER SEAT, REVERSED-GRAY
		8718903	ASSY, SPL 90 DEG ROLLER SEAT, REVERSED-YELLOW
2	1	8722595	PLATE, SPL STEEL COVER - SG
3	1	7802001	COUNTER WEIGHT, LARGE - COATED
4	2	3242900	SCREW, SET BO
5	1	8722401	SELECTOR PIN, SHORT
6	2	7690101	BUMPER, SLEEVE - 1 INCH DIA
7	2	8860595	PLATE,SPLBC, BELT CLAMP
8	2	8854601	BAR, SPLBC, BELT DOWEL
9	1	8821101	CAM, SPLBC, PLASTIC
10	1	8866001	PLATE, SPLBC, TAPPED
11	1	7435701	BELT, SPLBC
12	4	3243201	BEARING, 6007 BALL
13	1	8832301	SMALL BUMPER (VEN# MM3)
14	1	8817001	BUMPER, WEIGHT HORN, LARGE FLOV - LARGE
15	2	8722301	H-BUMP-MED
16	4	3251202	SCREW, M10 X1.5 X 25MM UNS HEX CS ST ZN
17	4	3251204	SCREW, M10 X1.5 X 35MM UNS HEX CS ST ZN
18	4	3236202	SCREW, M10 X1.5 25MM
19	5	3236203	SCREW, M10 X1.5 30MM
20	2	3236204	SCREW, M10 X1.5 35MM
21	4	3236205	SCREW, M10 X1.5 40MM
22	3	3236207	SCREW, M10 X1.5 50MM
23	3	3236209	SCREW, M10 X1.5 60MM
24	3	3238312	M10x1.5x75mm
25	16	3239101	SCREW, M5X10 PHL PAN TT ST
26	14	3236801	NUT, M10 HEX NYLOCK SS
27	34	3236601	WASHER, 3/8 SAE SS
28	16	3114407	WASHER, SAE #10
29	5	7800401	CAP, LRG FLOV END
30	2	3238601	M10X1.5 BLIND THREADED INSERT (HEX)
31	1	7326295	CAP, D-TUBE TOP - SG
32	2	8593501	CAP, HAMMER, RUBCAP1-2
33	3	7333901	CAP, LARGE FLOV- END
34	2	7333801	CAP, SMALL FLOV- END
35	2	7662902	CAP, GRIP 1.50 OD
36	2	3235802	GRIP, SPLBC HANDLE
37	1	8708801	FOOT, SPL D-TUBE SLIPPER
38	4	8708901	PAD, SPL RUBBER FOOT
39	1	7358203	SHAFT, 1 DIA X 6.75
40	12	3237403	PLUG, 1" HOLE
41	2	8752801	ORING, SPL PIVOT
42	2	3104903	1.00" ID 1.25" OD BRONZ BUSHING
43	3	8039501	LABEL, WARNING,TRIANGLE
44	1	8866901	LABEL, LF LOGO 10" - FLAT
45	1	7571301	LABEL, SERIAL NUMBER, BLANK
46	1	8343101	TAG, BOLT TO FLOOR
47	1	87737XX	LABEL, ASTM PL VERT
48	1	8820801	LABEL, SPLBC PLACARD ENG
49	1	72971XX	PAD, SEAT SADDLE
50	1	80070XX	PAD, ELBOW 24 X 11

NOTE: Items ending in XX are either language or color specific.

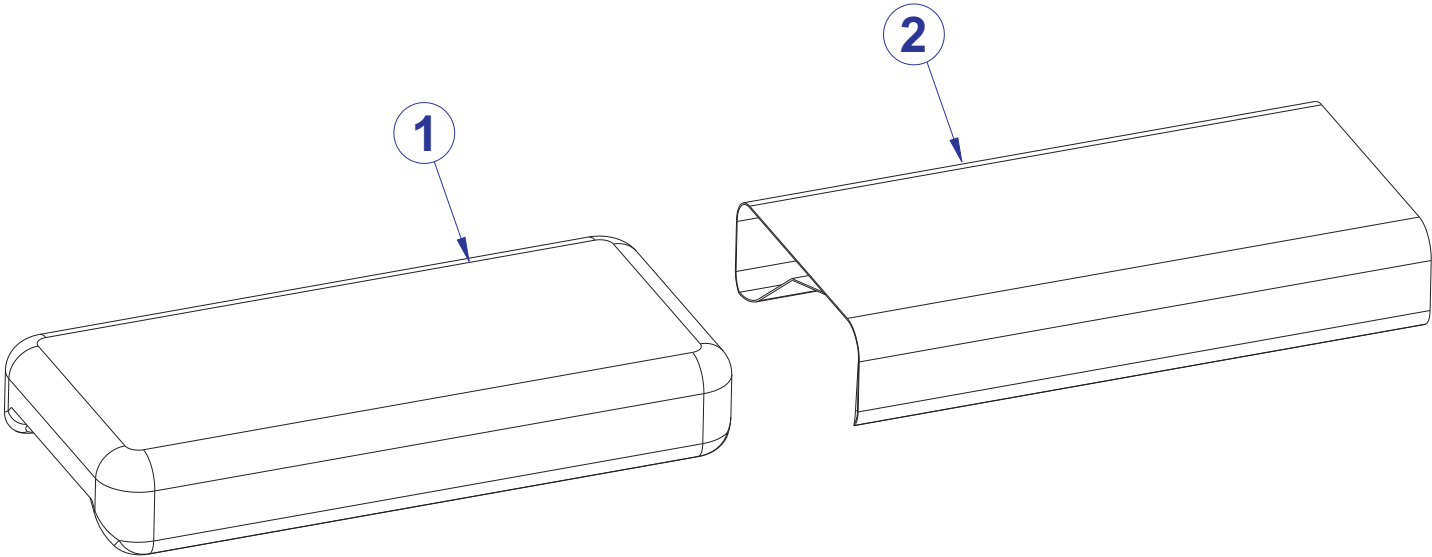
# SPLBC Signature Plate Loaded Biceps Curl Seat Assembly



ITEM NO.	QTY.	PART NO.	DESCRIPTION
1	1	8708595	WLDMT, SPL RELEASE HANDLE - SG
2	1	7287901	HANDLE, ADJUSTER, SHADOW GRAY
		7287903	HANDLE, ADJUSTER, YELLOW
3	3	7564201	ASSY, SEAT ROLLER
4	1	7422002	LABEL, SEAT ADJUST
5	1	7442601	SPRING, PRO2 ROLLER SEAT
6	1	7442701	SPRNG, PRO2 HANDLE TORSION
7	1	7564401	SEATRACK, FLAT
8	1	7570601	STOP, ROLLER SEAT
9	1	8416801	TRACK, SEAT - SERRATED
10	2	8719701	CAP, SPRING END
11	1	3235804	GRIP, 1.5 OD X .25 WALL X 1.5 L OPEN END
12	1	3110010	ROLL PIN, 1/8 X 7/8
13	1	3236208	SCREW, M10 X1.5 55MM
14	1	3236212	SCREW, M10 X1.5 75MM
15	7	3236217	SCREW, M10 X1.5 100MM
16	1	3238312	M10x1.5x75mm
17	16	3236601	WASHER, 3/8 SAE SS
18	2	3236602	WASHER, 3/8 ID X 1.25 OD SS
19	9	3236801	NUT, M10 HEX NYLOCK SS

# SPLBC Signature Plate Loaded Biceps Curl Elbow Pad Assembly - 80070XX

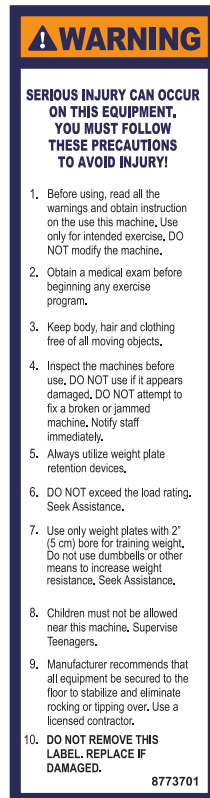
---



ITEM NO.	QTY.	PART NO.	DESCRIPTION
1	1	80070XX	PAD, ELBOW 24 X 11
2	1	80279XX	WEAR COVER, ELBOW PAD 24 X 11

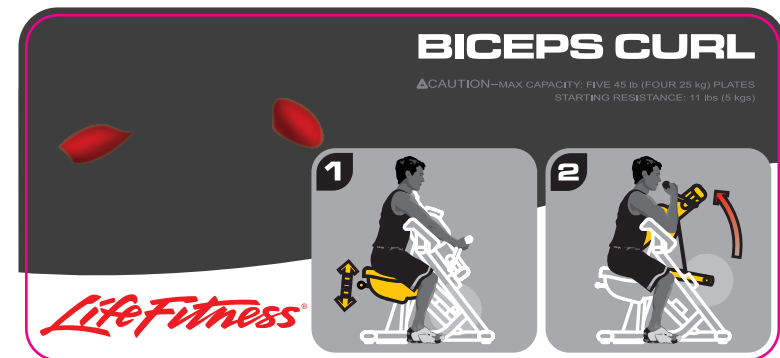
# SPLBC Signature Plate Loaded Biceps Curl Labels and Placards

## ASTM Warning Label



PART NO.	DESCRIPTION
8773701	LABEL, ASTM PL VERT - ENGLISH
8773702	LABEL, ASTM PL VERT - GERMAN
8773703	LABEL, ASTM PL VERT - FRENCH
8773704	LABEL, ASTM PL VERT - SPANISH
8773705	LABEL, ASTM PL VERT - ITALIAN
8773706	LABEL, ASTM PL VERT - DUTCH
8773707	LABEL, ASTM PL VERT - JAPANESE
8773708	LABEL, ASTM PL VERT - PORTUGUESE

## Instructional Placard



PART NO.	DESCRIPTION
8820801	LABEL, SPLBC PLACARD ENG
8820802	LABEL, SPLBC PLACARD GER
8820803	LABEL, SPLBC PLACARD FRN
8820804	LABEL, SPLBC PLACARD SPN
8820805	LABEL, SPLBC PLACARD ITL
8820806	LABEL, SPLBC PLACARD DUT
8820807	LABEL, SPLBC PLACARD JAP
8820808	LABEL, SPLBC PLACARD POR
8820810	LABEL, SPLBC PLACARD RUS
8820811	LABEL, SPLBC PLACARD TUR



# SPLBC Signature Plate Loaded Biceps Curl Image

---



Note: Shadow Gray workarm color option