

D

C

B

A

4

3

2

1



PRODUCT:
RBK600-18

DRWN BY	10/25/18	SAH	SIZE
CS	10/25/18	SM	A

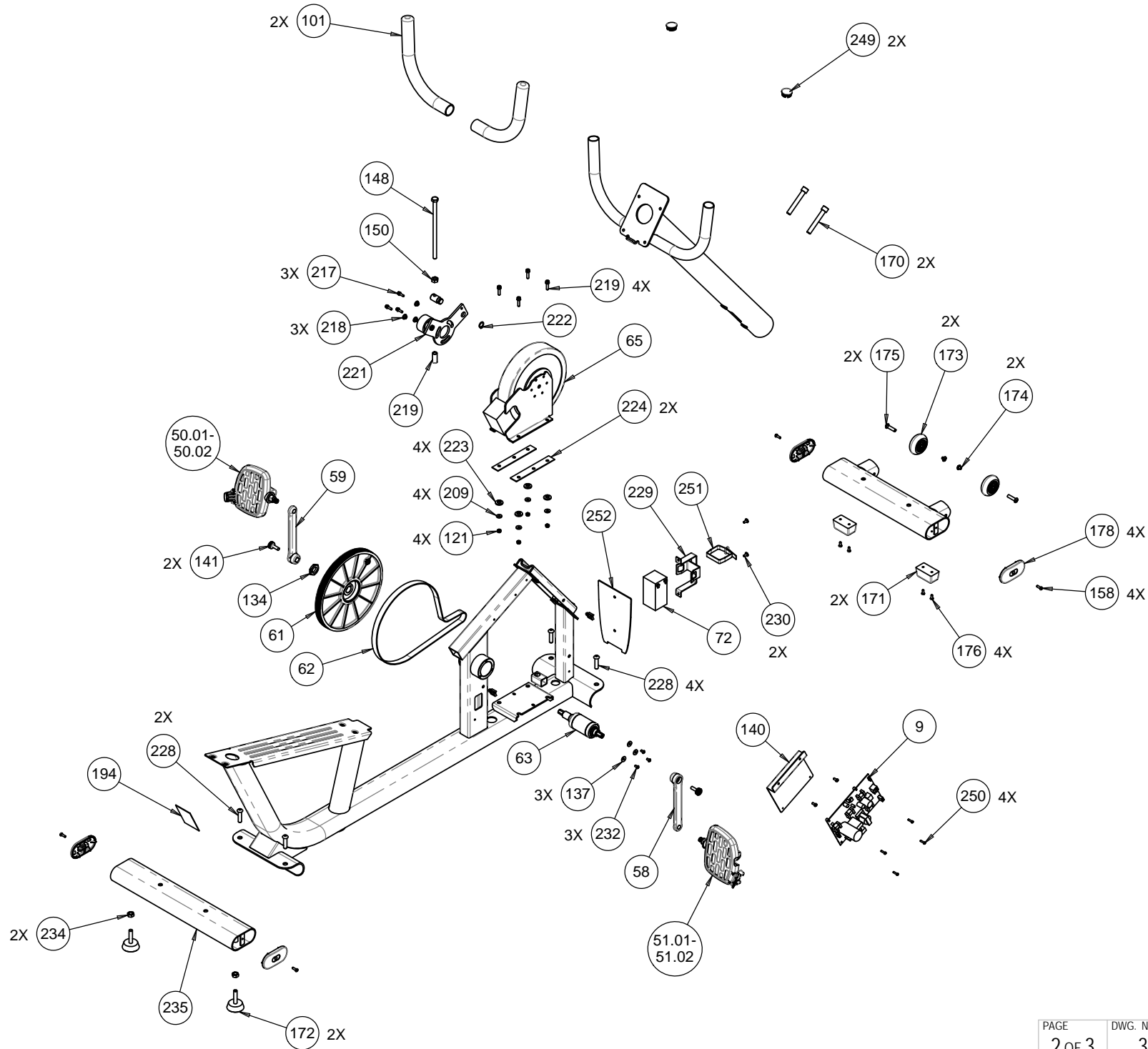
PAGE	1 OF 3
------	--------

DWG. NO.	305483-101
----------	------------

PRECOR

SUBREV	A01
--------	-----

DRAWING TEMPLATE REV. E



D

C

B

A

