

D

C

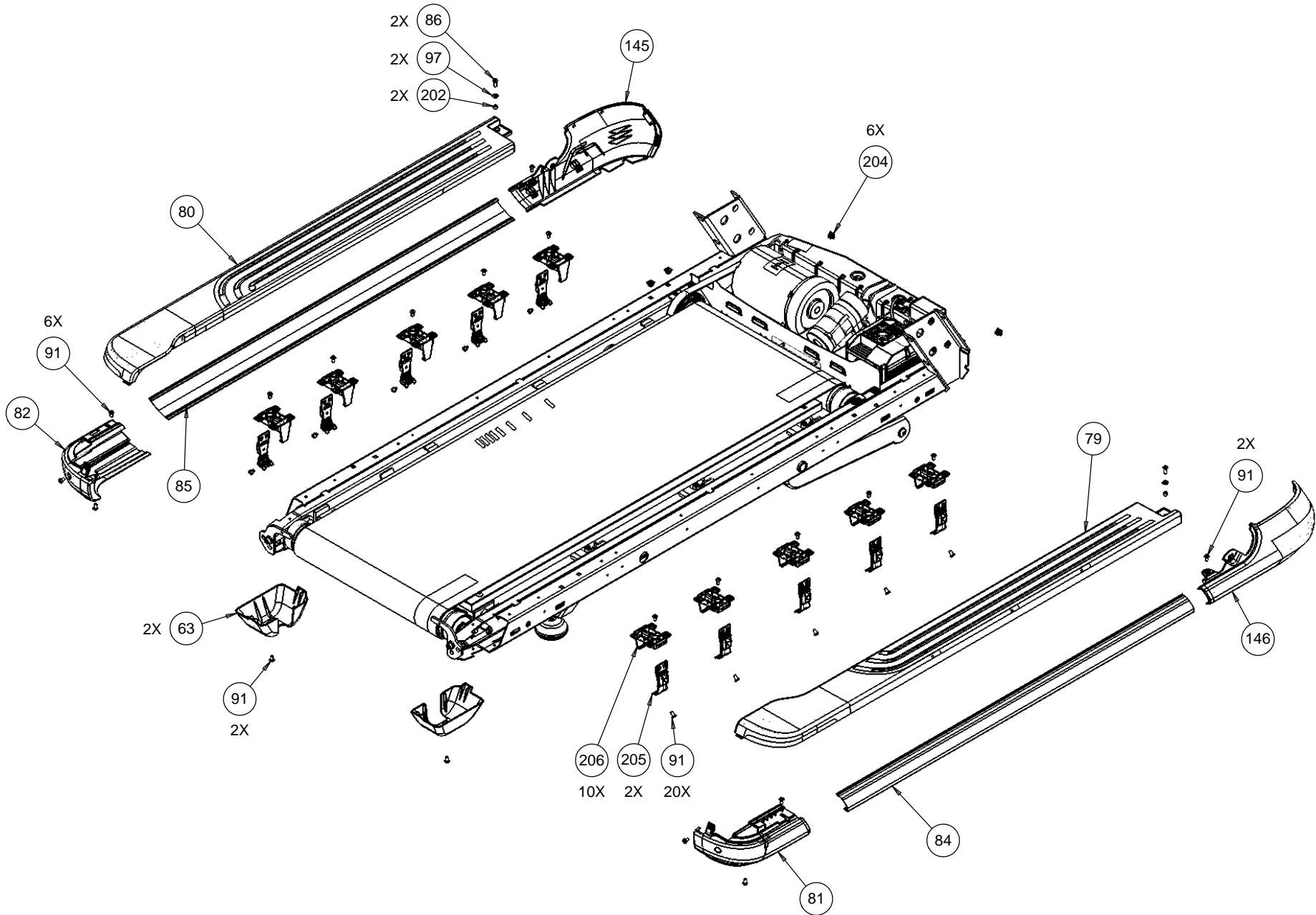
B

A



PRODUCT:						
TRM885/TRM835/TRM811						
DRWN BY	5/15/14	KAW	SIZE	PAGE	DWG. NO.	SUBREV
CS	5/14/14	BG	A	1 OF 7	303155-101	A07

DRAWING TEMPLATE REV. B

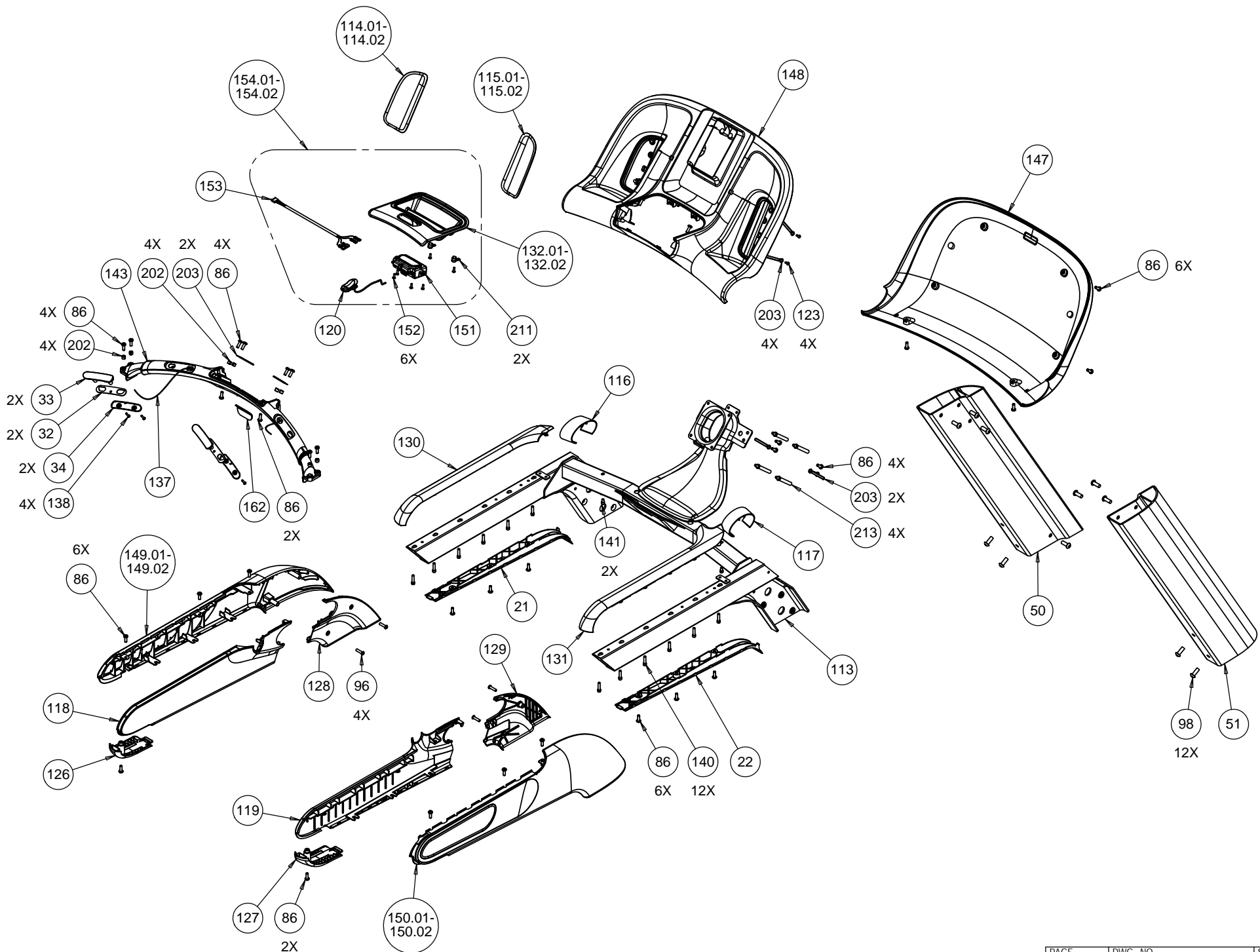


D

C

B

A



D

C

B

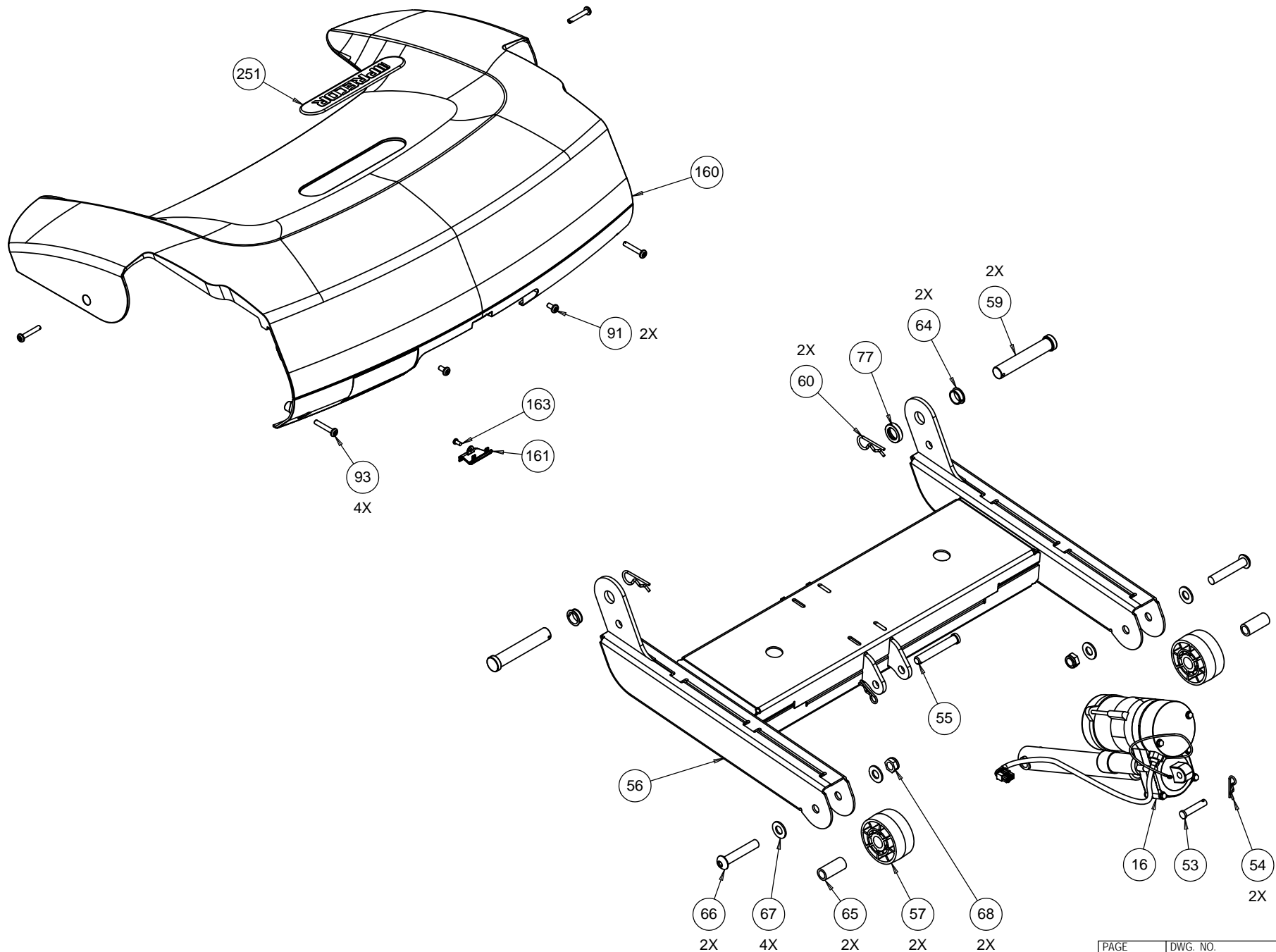
A

4

3

2

1



D

C

B

A

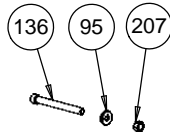
4

3

2

1

2X 2X 2X



20



88

4X 133

4X 134

2X 75

139

158

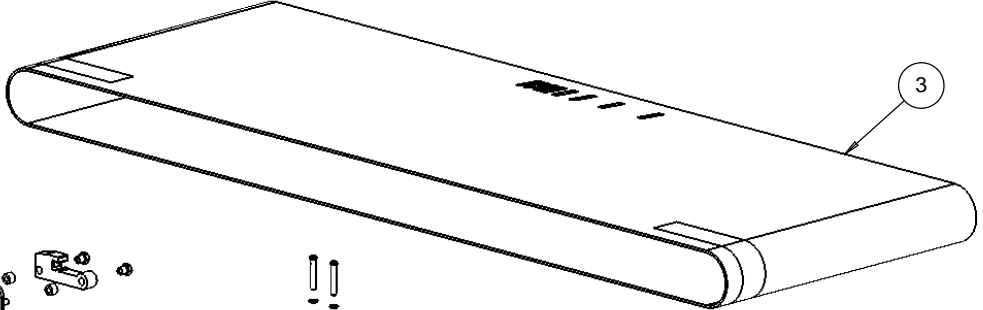
159

89

4X

2X

4X



3

2

2X 14

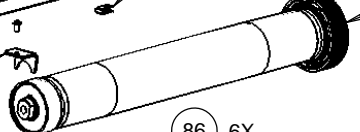
2X 13

91 2X

15

19

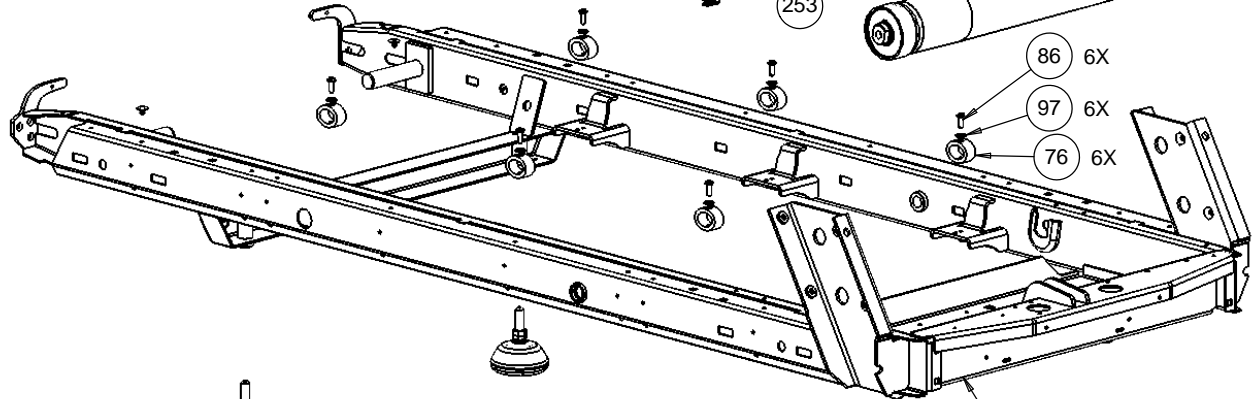
253



86 6X

97 6X

76 6X



1

124

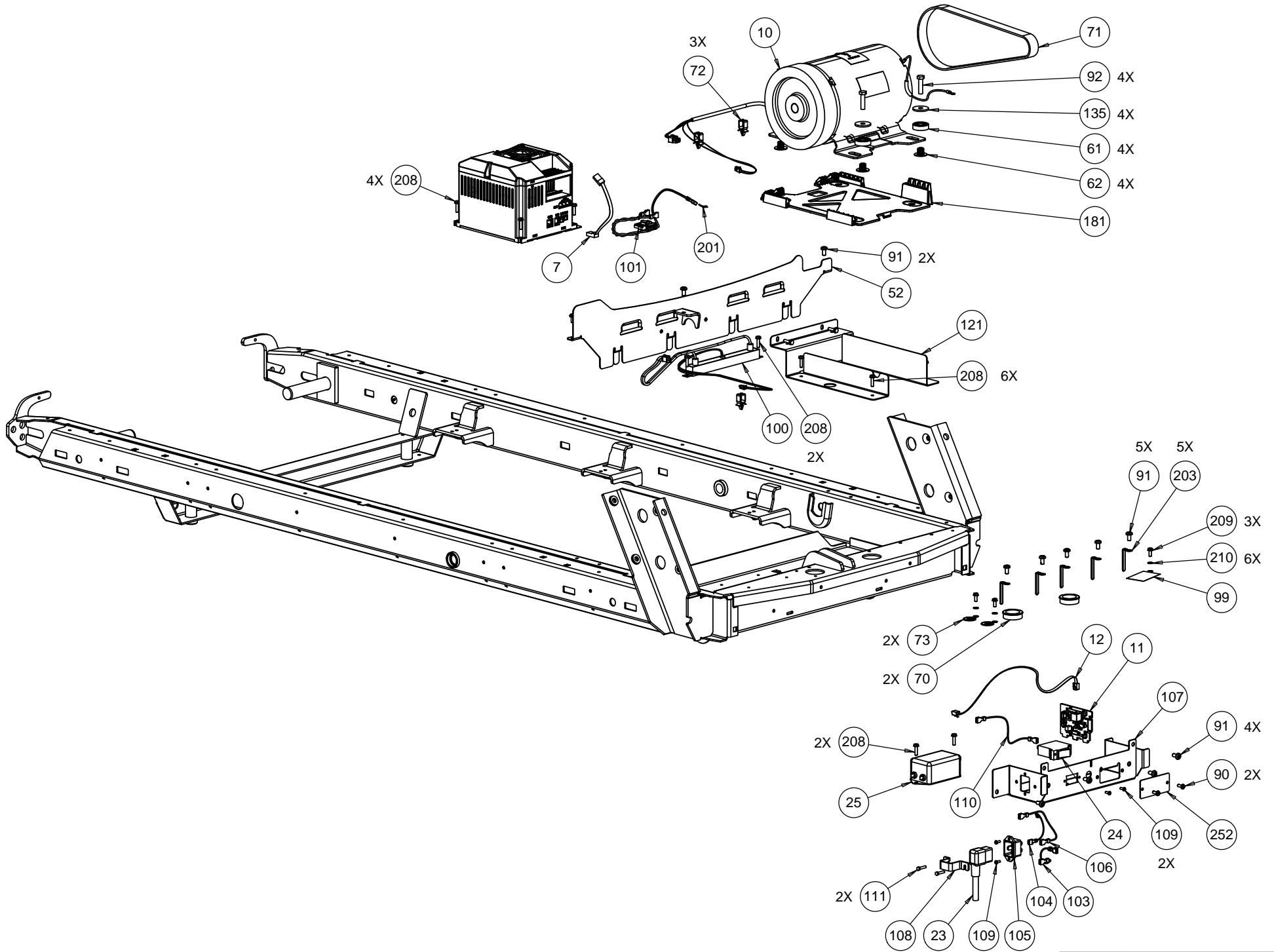
2X

D

C

B

A



4X (208)

3X (72)

(10)

(71)

4X (92)

4X (135)

4X (61)

4X (62)

(181)

(7)

(101)

(201)

(91) 2X

(52)

(121)

(208) 6X

(100)

(208) 2X

5X (91)

5X (203)

(209) 3X

(210) 6X

(99)

2X (73)

2X (70)

(12)

(11)

(107)

(91) 4X

(90) 2X

2X (208)

(25)

(110)

(24)

(109)

(252) 2X

2X (111)

(108)

(23)

(109)

(105)

2X

PAGE 6 OF 7

DWG. NO. 303155-101

SUBREV A07

