

KEISER[®] m3

USER MANUAL



KEISER[®] m3⁺

USER MANUAL

TABLE OF CONTENTS

PRE-ASSEMBLY INSTRUCTIONS	1
ASSEMBLY INSTRUCTIONS	4
M3 HANDLEBAR INSTALLATION	6
M3+ HANDLEBAR INSTALLATION	7
FLYWHEEL GUARD INSTALLATION	9
CHECKING FOR PROPER OPERATION	11
SAFETY INFORMATION AND INSTRUCTIONS	11
BIKE FITTING	12
RESISTANCE/COMPUTER OVERVIEW	15
CALIBRATION INFORMATION	17
PREVENTIVE MAINTENANCE CHART	18
WARRANTY TERMS	19

BEFORE ASSEMBLING

Always follow the steps in this manual as you assemble your bike. Do not skip, substitute or modify any steps or procedures of this assembly, as doing so could result in personal injury and will void your warranty. We have put a number of precautions in this manual.



WARNING: This symbol appearing throughout this manual means **PAY ATTENTION! BE ALERT!** When you see this warning symbol, your safety is involved. It is being used to call attention to **POTENTIAL** hazards that could result in personal injury or loss of life.



NOTE: Informs you about things we recommend you do or are aware of, before performing the assembly. These notes are placed in the manual to aid you during a certain procedure or to make you aware of any general mandatory actions or information.

UNPACKING THE BIKE

Carefully remove the bike from the cardboard box. Lay out all the components and check to assure all parts are present and undamaged. If parts are missing or damaged contact your local dealer, distributor or Keiser Corporation Service Department. After unpacking and verifying parts, you are ready to start your assembly. You need an area that is free of dirt, dust or other foreign material that could impair the assembly of your bike.

TOOLS YOU WILL NEED

Torque wrench (Minimum 45 Nm / 35 ft-lb)	16mm, or 5/8" crowfoot
4" extension	5mm Allen Wrench
15mm open-end wrench	6mm Allen Wrench
16mm, or 5/8" open-end wrench	Paste or spray wax (used to clean after assembly)
#2 Phillips screwdriver	Clean cloth
15mm crowfoot	LPS #3 Heavy Duty Rust Inhibitor w/straw
2 - 10mm Wrenches	

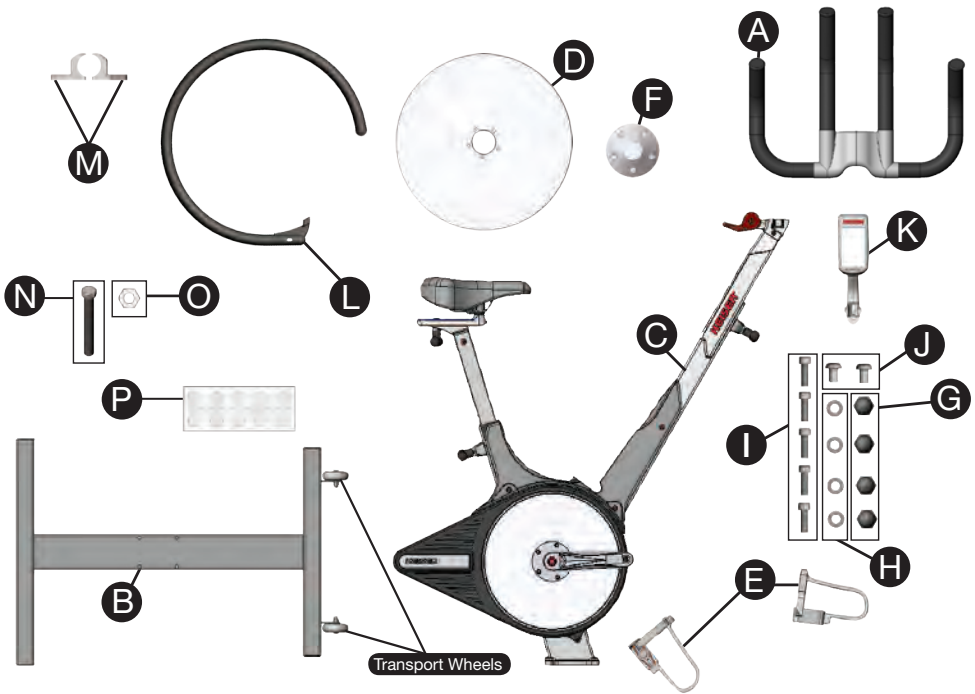


NOTE: The substitution or modification of any part or component, other than what is approved by Keiser, will void your warranty.

PARTS INVENTORY

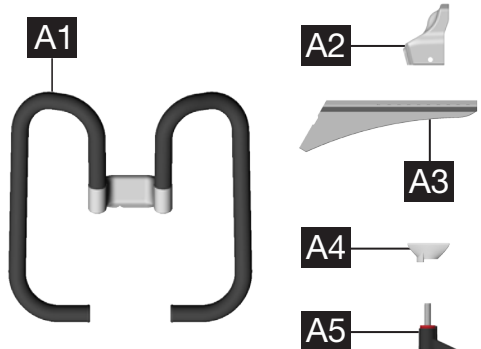
! NOTE: The M3+ Parts Inventory will not include item **A** - M3 Handlebar Assembly (550815). It will include items **A1-A5**, and will require following the **M3+ Handlebar Assembly procedure**. Item **P** - Hub Cover Decals, will be shipped with, and are to be installed on M3/M3+ sold within the European Union only.

A - M3 Handlebar Assembly (550815)	I - 5 Socket Head Cap Screws M6x1 X 20 SS (9502)
B - Base Frame (550814)	J - 2 Socket Head Cap Screws M8x1.25 X 12 SS (9513)
C - Bike Frame (550819/550820)	K - Computer (models with computer only)
D - Flywheel (555003)	L - Flywheel Guard
E - 2-Pedals / 1- Loctite 242 (540831)	M - Flywheel Guard Clamp (555025)
F - Hubcap (555005)	N - Hex Head Screw M6x1 X45 SS (9525)
G - 4 Acorn Nuts (555022)	O - Hex Nut M6x1SS (9508)
H - 4 Washers (9384)	P - Hub Cover Decals



M3+ HANDLEBAR PARTS INVENTORY

A1 - M3+ Handlebar Assembly (550835)
A2 - Sweat Guard Cover (555080)
A3 - Bottom Slide (555026)
A4 - Handlebar Spacer (555031)
A5 - L-Handle Assembly (550828)



M3/M3+ INDOOR CYCLE

Total Bike Weight:	M3 - 85 lbs (38.6 kg) / M3+ - 91 lbs (41.27kg)
M3 Footprint:	Length 49 in (1245 mm) x Width 25.75 in (654 mm)
M3+ Footprint:	Length 49.5" to 58.5" (1 257 mm to 1 485 mm) x Width 25.75 in (654 mm)



1 - Saddle	8 - Resistance Shifter
2 - Forward/Backward Seat Adjustment Handle	9 - Multi-Placement Handlebars
3 - Up/Down Seat Adjustment	10 - Sweat Guard
4 - Belt Cover	11 - Water Bottle Holder
5 - Base Frame	12 - Shimano™ Combo Pedals
6 - Multi-Function Computer System	13 - Transport Wheels
7 - Up/Down Handlebar Adjustment T-Handle	14 - Flywheel

M3+ INDOOR CYCLE

1 - Fore/Aft Adjustable Handlebars
2 - Fore/Aft Adjustment L-Handle



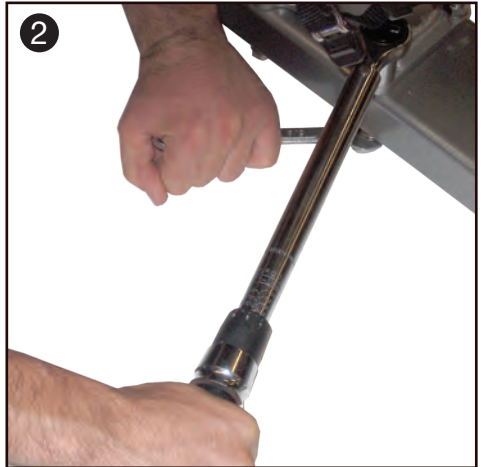
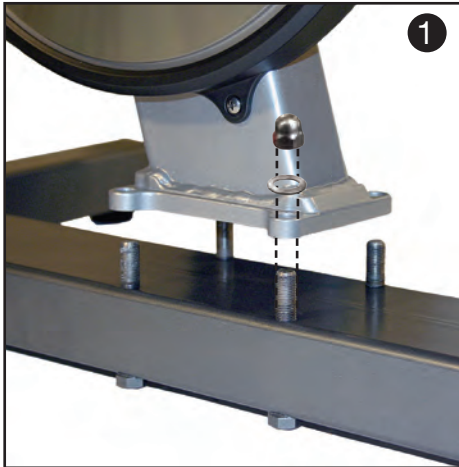
BIKE ASSEMBLY

ASSEMBLING BIKE TO BASE FRAME

Step 1: Carefully lower the bike onto the base frame over the base screws, with the front of the bike facing the transport wheels on the Base Frame. (Fig. 1)


Step 2: Insert one washer on each of the four base frame studs. (Fig. 1)

Step 3: Install the acorn nuts on the studs and hand tighten. Torque the acorn nuts with a 16mm or 5/8" crowfoot and torque wrench to 45 Nm (35 ft-lbs) using a 16mm, or 5/8 inch open-end wrench to hold in position. (Fig. 2)

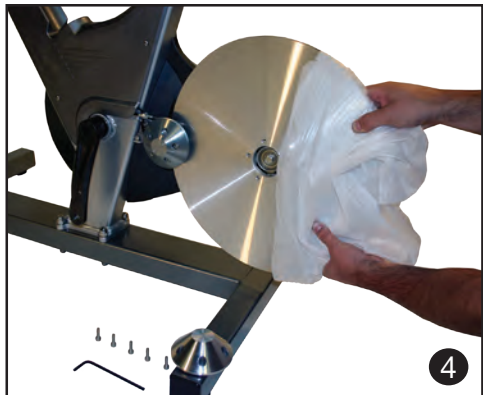
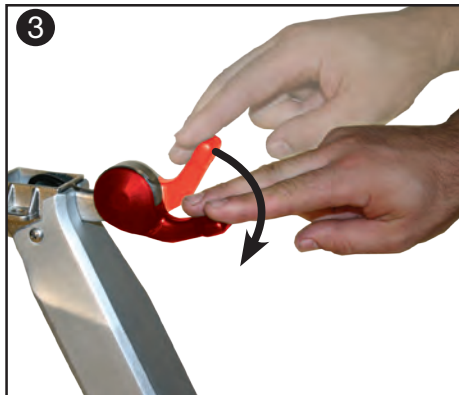


ASSEMBLING FLYWHEEL, HUB, AND HUB CAP

Step 1: Before starting the assembly of the flywheel, hub, and hub cap, make sure that the shifter lever is in the downward position. (Fig. 3)

 **NOTE:** Not following this step may scratch the flywheel.

Step 2: Remove the plastic wrapping from around the axle, hub, and hub cap. Remove the hub cap. Obtain the 5 socket head cap screws (M6x1 X 20 SS) and 5mm Allen wrench. (Fig. 4) Remove the flywheel from its foam envelope.



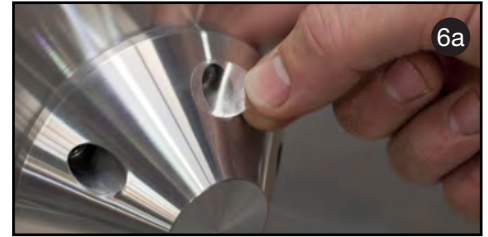
! NOTE: Use the foam envelope to handle the flywheel during assembly.

Step 3: Carefully slide the flywheel between the two magnets (Fig 4. & Fig. 5) and onto the hub at the same time. Make sure that the flywheel is flush against the hub and align the screw holes.

Step 4: Holding the flywheel in position with one hand, install the hubcap and align the screw holes. Install the socket head cap screws (M6x1 X 20 SS). Using the 5mm Allen wrench, tighten the screws in a star pattern until snug (as shown in Fig. 6).



Step 5: After 5 hub screws have been installed, apply 5 clear decals to each side of the hub cover as shown (Fig. 6a).



ASSEMBLING PEDAL TO CRANK ARM

Step 1: Unwrap the pedal set and Loctite 242, obtain the Torque wrench, 15mm crowfoot, 4" extension, and 15mm open-end wrench.

Step 2: With a clean cloth, wipe the threaded area of the pedals. Apply Loctite 242 to the pedal threads. Install the pedals into the crank arms, use the 15mm open-end wrench to tighten. Finish with the torque wrench, 15mm crowfoot, and 4" extension. Torque pedals to 45 Nm (35 ft-lbs) (Fig. 7).



! NOTE: Left pedal is LH threads and right pedal is RH threads.



WARNING!

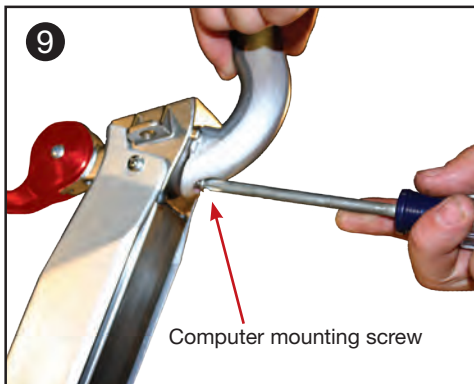
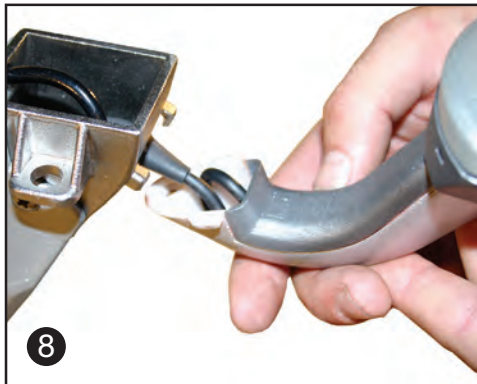
Failing to install the pedals with Loctite 242, or crossing the threads will damage them, and could result in serious injury to the user.

MOUNTING COMPUTER (MODELS WITH COMPUTER)

Step 1: Obtain the #2 Phillips screwdriver and remove the computer mounting screw from the handlebar tube.

Step 2: Coil the computer cable into the computer mount cavity (Fig. 8).

Step 3: Slide the computer up into the two locking ears. Insert and secure the screw you removed in Step 1 using the #2 Phillips screwdriver (Fig. 9).



MOUNTING M3 HANDLEBAR ASSEMBLY FOR M3+ HANDLEBAR ASSEMBLY, PROCEED TO PG. 7

NOTE: If installing computer please do so before mounting the handlebars.



Step 1: Obtain the handlebar assembly, 6mm Allen wrench, and the socket head cap screws (M8x1.25 X 12 SS). Observe the location of the two mounting flanges on the handlebar post. Place the handlebar assembly on the post mounts, aligning the mounting holes. (Fig. 10).

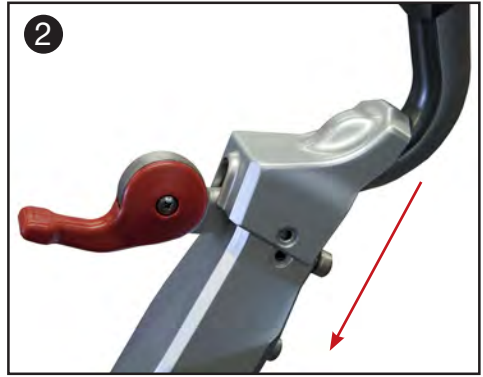


Step 2: Tilt the handlebar assembly slightly to place the socket head cap screws (M8x1.25 X 12 SS) into the mounting holes (Fig. 11). Once each screw has been started, place the palm of one hand on the center of the handlebar pressing firmly and evenly onto the handlebar post. With the other hand tighten each screw with the Allen wrench until the head of each screw just makes contact with each hole. Now tighten each screw evenly.

MOUNTING M3+ HANDLEBAR ASSEMBLY

Step 1: Remove screws from both sides of the Sweat Guard.

Step 2: Slide on the Guard Cover and snap it over and align with the mounting holes of the Sweat Guard.

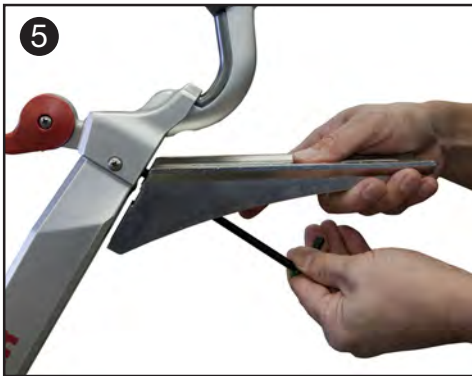


Step 3: Replace both screws, but do not over tighten.

Step 4: Remove the four (6mm allen) screws from the Handlebar Tube, located below the computer mount.

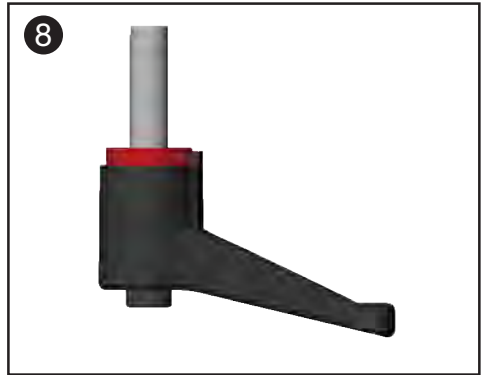


Step 3: Using a 6mm Allen wrench, and the four screws, assemble the Bottom Slide to the Handlebar Tube. Tighten firmly, making sure there is no gap between the Slide and the Handlebar Tube (Fig. 6).



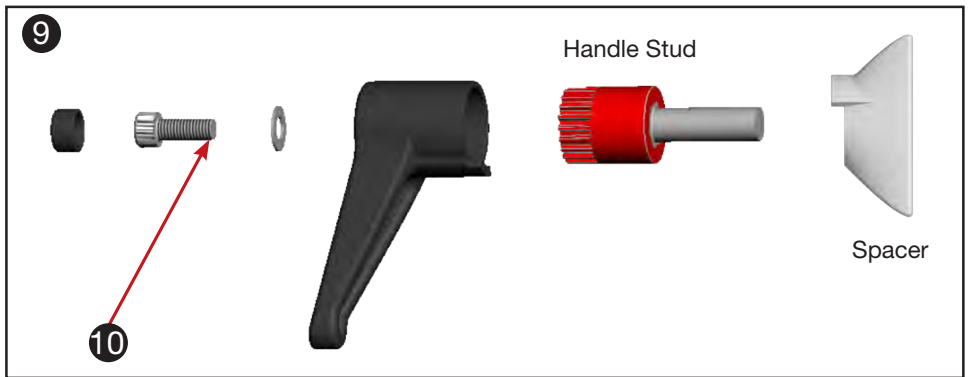
Step 7: Balance the Adjustable Handlebars on the Bottom Slide.

Step 8: Locate the L-Handle Assembly, you will need to disassemble it in the following step.



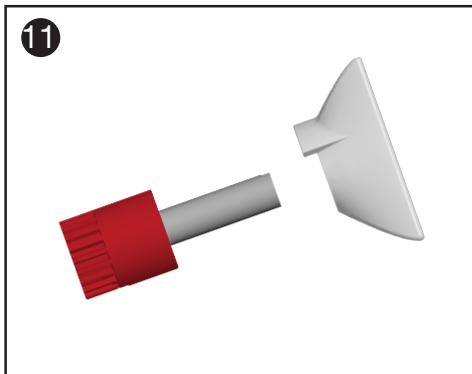
Step 9: Using a 5mm Allen wrench remove the Screw and Washer, releasing the Handle Stud.

Step 10: Clean Screw thread with alcohol, then apply Loctite 242 to leading edge of screw thread for handle bar adjust screw.



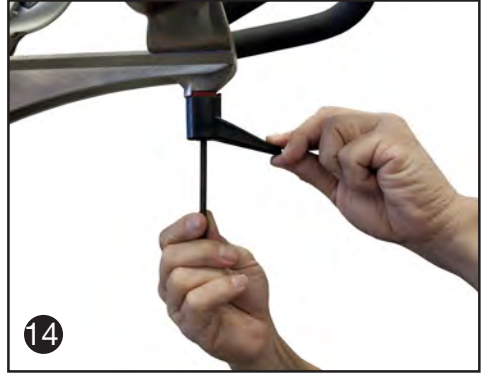
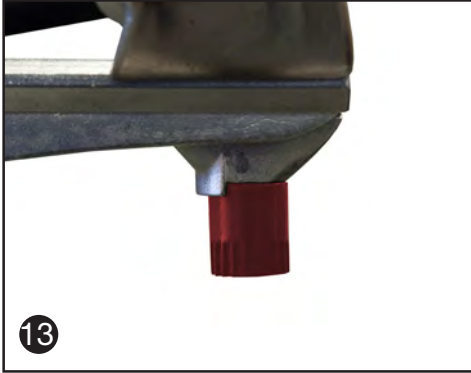
Step 11: Assemble Handle Stud and the Handlebar Spacer.

Step 11: Use assembled Handle Stud and Handlebar Spacer to mount the Adjustable Handlebars to the Bottom Slide.



Step 13: Hand Tighten the assembly.

Step 14: Fit the L-Handle to the Handle Stud. Position the L-Handle making sure that it is pointing to the front of the M3+. Install the Screw and Washer. Make sure it is snug.



Step 14: Loosen the L-Handle counter-clock wise. Slide the Handlebars back and forth, making sure they can move freely and be locked into all positions on the Bottom Slide.



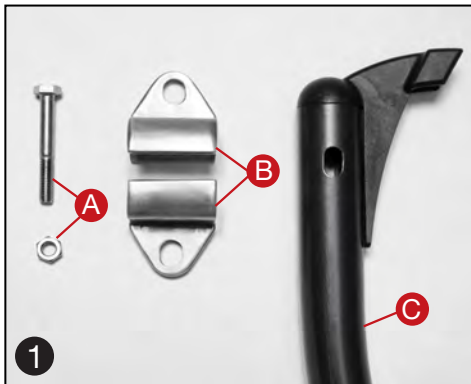
FLYWHEEL GUARD INSTALLATION

Step 1: Make sure to have all parts and tools present prior to assembly.

Step 2: Assemble the brackets (B) to the tube (C) With the bolt and nut (A) finger tight.

PARTS INVENTORY

A) Bolt and Nut B) Brackets C) Tube



Step 3: (Next Page) Make sure the flywheel is centered in the middle of the 2x4 tube of the base frame. Remove the two (6mm allen) screws and washers from the base frame. These screws will be used to mount the flywheel guard in step 6.

Step 4: Place the assembled flywheel guard over the holes and hold the tube guard as shown, to the left of the flywheel. Place the open end of the tube guard over the casting.

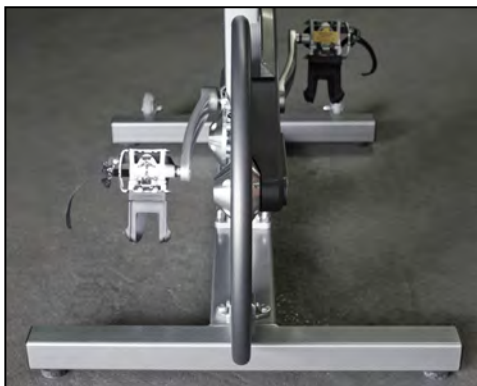


Step 5: Swing the tube over the flywheel, aligning the tube centered with the flywheel.

Step 6: Tighten the brackets to the base frame with the screws and washers that were removed in step three. Do not fully tighten the bolts.



Step 7: By not fully tightening the bolts, the brackets allow the tube to move left to right to some degree. Center the tube with as much clearance as possible from the flywheel, then fully tighten all the bolts. Make sure the tube is centered over the flywheel. The flywheel must be completely hidden behind the tube as shown below.

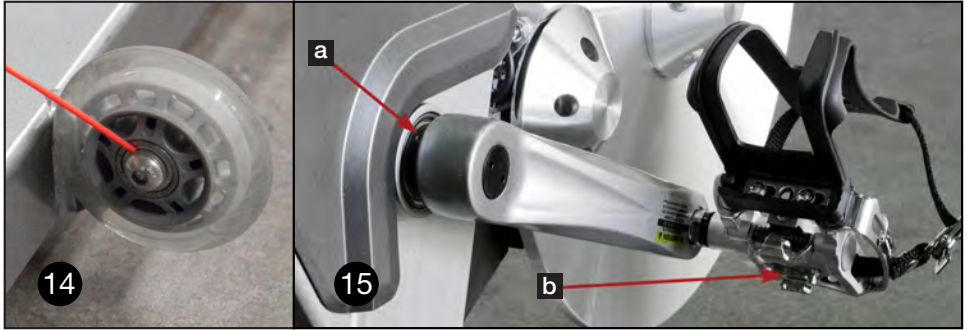




WARNING: Perform the operations below before riding to make sure the bike is fully operational. Failing to test a bike prior to normal use will void your warranty and could result in serious injury.

CHECKING FOR PROPER OPERATION

- All Parts Correctly Installed
- Acorn Nuts Torqued At 45 Nm (35 ft-lbs)
- Pedals Loctited and Torqued To 45 Nm (35 ft-lbs)
- All Screws and Nuts Properly Torqued and Tightened
- Handlebar and Seat Adjustments Operate Properly
- Apply LPS #3 To flange and screws that mount the bike frame (B) to the base frame (C)
- Apply LPS #3 To each side of both transport wheel (Fig. 14) bearings
- Apply LPS #3 To left bottom bracket bearing (Fig. 15a)
- Apply LPS #3 To the clip-in portion of the pedals (Fig. 15b)



- Bike Has Been Polished With Paste or Spray Wax and a Clean Cloth
- Computer Installed and Calibrated and In Working Order (Models With Computers, See “M Series Cardio Calibration”)



NOTE: Since we are always striving to improve our products; our products are subject to change without notice.



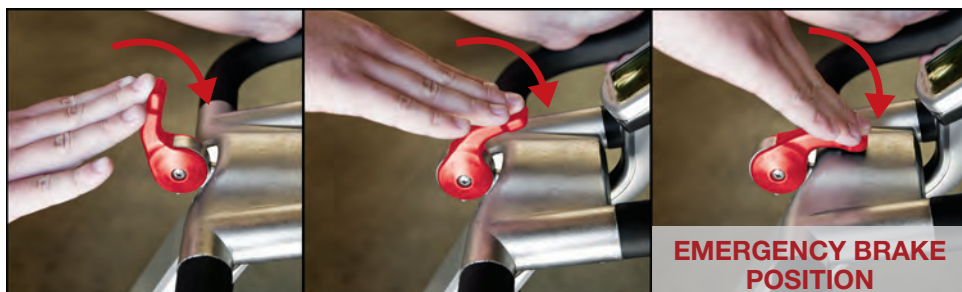
WARNING: Failure to follow the below safety information and instructions could result in personal injury or loss of life. Use this equipment only for its intended use as described in this manual. Please read all the information provided for safe operation.

IMPORTANT SAFETY INFORMATION AND INSTRUCTIONS

• The Keiser M3/M3+ is NOT designed with a freewheel, but a fixed gear system. When the flywheel is in motion, the pedals will also be in motion. Never remove your feet from the pedals while in motion as serious user injury may occur. Always secure the pedal clip strap by placing your foot on the pedal and in the toe cage. Locate the strap and pull up on it to tighten. It should be snug but not too tight to cause discomfort.



- The resistance shifter allows you to safely slow or stop the motion of the flywheel. Move the resistance shifter away from you to increase the gear and slow the motion of the flywheel. This method can also be used as an emergency operation to stop the motion of the flywheel. To use the resistance shifter as an emergency brake, move the lever all the way forward to stop all motion within one revolution. With any braking procedure, wait until the pedals and flywheel come to a complete stop before dismounting.



- The Keiser M3/M3+ is intended for cardiovascular fitness training. Consult a qualified physician or fitness professional to determine an appropriate training routine and determine if cardiovascular training should be a part of your exercise program. Serious injury or death can occur from over-training and should be taken very seriously.
- The Keiser M3/M3+ is to be operated in a commercial fitness environment, all use should be supervised by a qualified fitness professional.
- Keep children and pets clear from the unit at all times, especially while in use.
- The Keiser M3/M3+ should be positioned on a stable, level, horizontal surface with a recommended clearance of 18-24"/45-60cm on all sides.
- Movements such as pedaling at high speeds or pedaling while standing are considered advanced techniques, and should only be performed when the rider has reached an advanced level and has practiced basic cycling and pedaling techniques at slow to normal speeds.
- Ensure that all adjustment handles that could interfere with the user's movement are not left projecting as to come in contact with the rider during operation.
- Before dismounting, push the resistance lever to the most forward position to bring both the flywheel and pedals to a complete stop. Loosen each pedal clip strap, remove your feet from the pedals and dismount the bike.

BIKE FITTING



WARNING: Maximum weight of the rider shall not exceed 300lbs / 136kg.

SEAT POST HEIGHT POSITIONING

- Stand beside the cycle, close to and beside the saddle.
- Position the seat so that the top of the saddle is level with your iliac crest (hip), then re-tighten the T-Handle after adjustment.
- Sit on the saddle with the balls of each foot over the center of the pedals, with your toes in the pedal cage.
- Begin to pedal very slowly. There should be a 5-15 degree bend in the knee as it extends down into the six o'clock position.



WARNING: If your hips are rocking back and forth in the saddle with each pedal stroke, the seat position may be too high. Uneven rocking from side to side may result in hip or back injuries.



WARNING: If a participant's knees are bowed outward (beyond their normal ergonomic position), the seat may be too low. If the knees are too flexed, unwanted stress is placed on the knee caps. The knee should never be in a locked-out (overextended) position.

HANDLEBAR HEIGHT ADJUSTMENT

- The handlebars should be adjusted after performing the seat height adjustment.
- Handlebars should be level or higher than the top of the saddle.
- The elbows should be slightly bent and shoulders at approximately 90°.
- New cyclists are encouraged to keep their handlebars in a high, comfortable position to take any strain off of their back.
- Further adjustments will depend on personal preference and cyclists experience.



WARNING: Placing the handlebars too low may overstress the arms, mid back and neck. Maintain a high, comfortable position until a higher skill level is reached.

POSTURE AND BODY POSITION

We suggest that you keep your back in a neutral position (fig. B). Proper posture means engaging your core abdominal muscles and your diaphragm. In a neutral spine position, there is a slight arch in the low back (fig. A). When you are seated on the cycle, hinge at the hips and maintain your neutral position (fig. C). This position is referred to as “hip hinge”. To avoid possible injury, maintain good positioning and control of both the upper and lower body within this basic posture illustrated below.

BASIC POSTURE



POSTURES TO AVOID



FORE AND AFT (FORWARD AND BACKWARD) SEAT POSITIONING

- With the seat in the correct height position. Your arms should be a comfortable distance to the handlebars with the elbows slightly bent. Keep the hands on the handlebars while checking fore and aft positioning.



WARNING: This adjustment shall not exceed the mark "STOP" indicating minimum insertion depth for safe operation. See inset image, below right.

- Sitting on the saddle with your feet on the pedals in the three-o'clock and nine-o'clock position (crank arms perpendicular to the floor). When looking down, the front of your knee cap (patella) should be in line with the middle of the pedal at the point where the crank arm meets the pedal.
- The elbows should be slightly bent and shoulders at approximately 90°.
- If when looking down, you can't see your toes, the seat should be shifted back. Similarly, if you can see your entire foot, the seat should be shifted forward. Adjust and re-check the knee cap alignment. In addition, observe while pedaling that your knees do not extend beyond your elbows.



BASIC GRIPS

Position 1 - Overhand Front Grip



Position 2 - Hook or Middle Grip



Position 3 - Extended Grip



Position 4 - Time Trialing



RESISTANCE OVERVIEW

The Keiser M3/M3+ is a revolutionary new way to exercise, with a focus on Power Output. The understanding of the resistance system can best be described in the explanation of eddy current resistance and the formula for Power: (Power = Force x Velocity).

An eddy current is an electrical current in a conducting material that results from induction by a moving or varying magnetic field. On the M3/M3+, this is generated by the wheel passing through two opposing magnets. The flywheel (a conductor) passes through the magnetic field generated by the two powerful magnets. By varying how much of the magnetic field comes into contact with the flywheel, the amount of resistance will increase or decrease for the user. This resistance system also allows the participant a smoother, quieter, and more predictable workout.

If the flywheel is in less contact with the magnetic field, it is easier to operate. The more of the flywheel that comes in contact with the magnetic field (the higher the energy that is being generated with each turn) the more difficult it becomes to operate.

Another major factor that plays a role in resistance is speed. The faster the flywheel turns, the more energy is generated, and thus the more resistance is created.

Power (amount of work being done in a given amount of time by the participant) = Force (the amount of resistance) x Velocity (the Cadence the user is striding). This is the same formula that occurs naturally. By moving faster the difficulty increases as the resistance increases. The same applies to the M3/M3+, at a set Gear the resistance can be increased or decreased by adjusting the participants speed.

In this way the M3/M3+ is very similar to natural movement. The higher the Gear, the higher the Cadence the more Power produced.

M SERIES COMPUTER OVERVIEW

The M Series computer is a powerful teaching and programming tool. The computer can

assist both the instructor and participant by providing immediate feedback as well as tracking on-going improvement. By experiencing objective Cadence, Power Output, Gears and Heart Rate, the participant benefits from a better overall and more effective workout. The computer can also be used as a motivating tool to engage participants in their workouts. The more participants understand the components of a proper workout, the further they can fine tune their performance. The goal is to work more effectively and efficiently, and achieve better results.

LINE 1 BACKLIGHT SENSOR

While the M Series Computer is awake, the Backlight Sensor automatically detects ambient light levels in the room and turns on the backlit display when needed.

LINE 2 RPM (CADENCE)

The RPM displays the cyclist's Revolutions Per Minute on one crank arm. RPM is also known in the cycling world as Cadence and is roughly the speed at which the cyclist is pedaling. At above 140 RPM the computer will not read and the word "STOP" will appear to indicate that the cyclist is pedaling faster than he or she needs to be. If the cyclist is out of the saddle and wishes to retain the sufficient resistance, pedaling should not fall below 60 RPM.

LINE 3 POWER

The Power Output is displayed in Watts (currently generating) and Kilocalories (total value for the workout). The computer toggles back and forth between Watts (displayed for eight seconds) and Kilocalories (displayed for two seconds) throughout the ride. Rated accuracy for Power is $\pm 5W$ for Power below 50W, and $\pm 10\%$ for Power above 50W.



WARNING: Heart rate monitoring systems may be inaccurate. Over exercise may result in serious injury or death. If you feel faint stop exercising immediately.

LINE 4 HEART RATE

If there is no Heart Rate signal, a steady heart symbol and a zero will be displayed. If a participant is wearing a Heart Rate strap, once the computer locks onto the signal, the heart symbol will blink and display the heart rate. Please note that the Heart Rate strap.

LINE 5 ELAPSED TIME

The number shown reports the total time spent cycling and will reset to zero after 60 seconds of inactivity or if computer is reset using the gear shifter.

LINE 6 GEAR

Gears from 1 – 24 are displayed on the bottom left hand of the screen.

LINE 7 ODOMETER/TRIP DISTANCE

For the first eight seconds when the computer is first activated, the Odometer will display the total distance the cycle has been ridden. This feature is for service and maintenance purposes only. After eight seconds, the Odometer will display Trip Distance.

AVERAGE CALCULATIONS

To view averages: RPM (Cadence), Power, and Heart Rate at any point in the workout, stop pedaling for three seconds. This will flash your averages until you start moving again or until the computer goes to sleep after 60 seconds.



RESETTING RIDE AVERAGES, ELAPSED TIME AND DISTANCE

To reset your averages during the workout, stop pedaling for three seconds and the averages will start to flash, while they are flashing move the gear shifter from bottom to top two times quickly. This will reset your workout information back to zero.

M SERIES CARDIO CALIBRATION

All M Series cardio equipment is calibrated with a tool at the factory and there is no need to calibrate, unless a component associated with the resistance mechanism or computer require service. For more information visit: www.keiser.com/service, or contact the Keiser service department at 1-800-888-7009 | 559-256-8000 | service@keiser.com.

COMPUTER BATTERY REPLACEMENT

To test the computer batteries rotate the crank arm until the computer “wakes up”. If the battery is low, a “LO-BA” will display in the Odometer (ODO) display at the bottom of the computer. To replace the batteries unscrew the back of the computer housing and remove old AA batteries and replace with a set of two new AA batteries. If you have multiple machines, we suggest all computer batteries be changed at the same time.



WARNING: Do not burn batteries. Do not place batteries in waste bins. Batteries must be disposed of by a Licensed Waste Collector. Battery leakage is extremely caustic and contact with bare skin should be avoided. In the event that battery leakage comes in contact with your skin, flush the area for 15 minutes with copious amounts of water and seek medical attention. Gloves, overalls, safety shoes and eye protectors must be used when handling leaking batteries. Follow manufacturer’s recommendations when handling and maintaining batteries.



WARNING: The safety level of the equipment can only be maintained if it is regularly inspected for damage and wear. Immediately replace defective parts and do not use the equipment until all repairs have been completed and thoroughly tested.

M3/M3+ PREVENTATIVE MAINTENANCE CHART

Every Class
Member thoroughly inspect each Cycle (1)
Member wipe off sweat (2)
Weekly For The 1st Month
Check and re-torque crank arms and pedals (3)
Check to ensure the four bolts attaching the Bottom Slide are tight. There should be no looseness or gap between the Bottom Slide and Slide mount. (M3+ ONLY) (9)
Weekly
Thoroughly inspect each Cycle (4)
Clean with warm water and soft towel (5)
Check computer for low battery indication (6)
Monthly
Check and re-torque crank arms, pedals and main frame nuts (3)
Wax those areas most in contact with sweat (7)
Lubricate adjustment handle threads (8)
Check to ensure the four bolts attaching the Bottom Slide are tight. There should be no looseness or gap between the Bottom Slide and Slide mount. (M3+ ONLY) (9)

1. Each member should thoroughly inspect each cycle to make sure it is in safe and proper working order.
2. Each member should wipe off their own sweat after each class with a soft towel (their towel) or cloth.
3. Check and re-torque the screw holding the crank arm to the axle and the pedals. Also, check and re-torque the nuts securing the main frame to the bottom frame. The torque for all is 35 ft-lbs (47Nm).
4. Thoroughly inspect each cycle to make sure it is in safe and proper working order. Pay particular attention to loose screws, nuts & bolts, crank arms, pedals, pedal cages, handlebar, saddle, T-Handle adjustments, worn pedal straps, etc.
5. Clean with warm water and a soft cloth the parts of the cycle that are dirty or come in contact with sweat. Do not use household or industrial cleaners, because many of them are designed to clean, glass, tile, porcelain, and greasy or oily surfaces and can destroy the protective finish of the paint. If you need to use soap, use a mild dish washing soap followed by an automotive treatment such as Meguiar's Quick Detailer Mist and Wipe.
6. Check batteries. IF YOU HAVE MULTIPLE MACHINES, WE SUGGEST ALL COMPUTER BATTERIES BE CHANGED AT THE SAME TIME (2 AA batteries per bike). See "Computer Battery Replacement" section for instruction.
7. It is not necessary to wax the entire machine monthly, but it is very important to wax those areas that come in contact with sweat and that are the most vulnerable to rust. Use an easily applied automotive treatment such as Meguiar's Quick Detailer Mist and Wipe. Please note that failure to apply a coat of wax to high sweat areas at least once a month will decrease paint and frame life due to corrosion and will void the warranty.
8. Remove, clean, and lubricate the threads on the adjustment handle. Since both the threaded stud and the threaded nut are stainless steel it is very important to keep the threads lubricated with a heavy grease, preferably white or clear in color, such as Hydrotex MT-55 or Dow Corning 111.
9. Check to ensure the four bolts attaching the Bottom Slide are tight. There should be no looseness or gap between the Bottom Slide and Slide mount. (M3+ ONLY)

KEISER M SERIES CARDIO WARRANTY TERMS

The Keiser M3/M3+ Indoor Cycle is warranted to the original purchaser, to be free from defects in materials and workmanship.

NOT COVERED UNDER WARRANTY

- Loss caused by accident, abuse, improper use or neglect.
- Improper maintenance.
- Improper assembly by the purchaser.
- Failure to follow instructions as stated in any of the manuals provided with the Keiser M3/M3+

The warranty terms begin with the date of original delivery to be evidenced by appropriate shipping documents. Any alteration of the equipment so listed without express written consent of Keiser shall constitute a waiver by the buyer of this warranty. This warranty does not cover other brand name products distributed, but not manufactured by Keiser, which are subject to their respective manufacturers warranties. During the warranty period, warranted defects will be repaired at Keiser, Fresno California, or the defective part will be replaced, at the option of the manufacturer, without charge for either parts or labor to repair the defective part. This warranty does not cover the removal of the defective part and installation of the repaired part. All claims under the warranty must be in writing and authorization obtained from the manufacturer, Keiser, to return the defective parts for exchange. Defective parts must be returned to Keiser. The customer is responsible for all transportation costs on returned items to and from the point of manufacture.

Users, agents, or anyone directing the use of said equipment shall determine the suitability of the product for its intended use, and said parties are specifically put on notice that they shall assume all risk and liability in connection herewith.

The foregoing warranties are in lieu of and exclude all other warranties not expressly set forth herein, whether expressed or implied by operation of law or otherwise, including but not limited to any implied warranties of merchantability or fitness. Keiser shall in no event be liable for incidental or consequential losses, damages or expenses in connection with exercise products. Keiser's liability hereunder is expressly limited to the replacement of parts not complying with this warranty or, at Keiser's election, to the repayment of an amount equal to the purchase price of the parts in question. Keiser is not responsible for labor charges incurred in the replacement of defective parts. Keiser may, at its discretion, require the return of all defective parts. The customer is responsible for all transportation costs on warranted items to and from the point of manufacture. Replacement products are warranted for the balance of the original warranty period.

All Keiser equipment sold by Keiser distributors, dealers, or salespeople must be registered for warranty purposes. The warranty registration form must be filed within seven days of the sale or installation. Keiser equipment exported out of the US or Canada will be void of warranty unless purchased directly through a Keiser international distributor or dealer in the country of installation, or direct from Keiser's international division.

If you experience any problems please contact our Service Department
phone: 559.256.8000 | toll free: 1.800.888.7009 | email: service@keiser.com

KEISER CORPORATION
2470 S. CHERRY AVE.
FRESNO, CA. 93706
WWW.KEISER.COM

KEISER®
THE POWER IN HUMAN PERFORMANCE