

95Xi Cross-Trainer - Prewired w/LCD - Entertainment Controls

95XWEZ-0000-01

Parts Manual

3/7/2023 2:53:19 AM





Table of Contents

Bearing Insert Assembly.....	3
Cables.....	4
Console And Related Components.....	5
Console Support And Deadshaft Covers.....	6
Crank Arm Pulley Assembly.....	7
Crank Cover And Lower Caps.....	8
Drive Module.....	9
Drive Module Hardware.....	10
Handlebars And Bullhorns.....	11
Lower Frame Shrouds And Hardware.....	12
Pedal Lever Assembly Components.....	13
PCB, Batter, Reed Switch And Bracket.....	15
References.....	16
Rocker Arms And Pedal Levers.....	17
Unlabeled Parts.....	18
Upper Frame Hardware.....	20

Bearing Insert Assembly

Service Kit- GK62-00002-0044

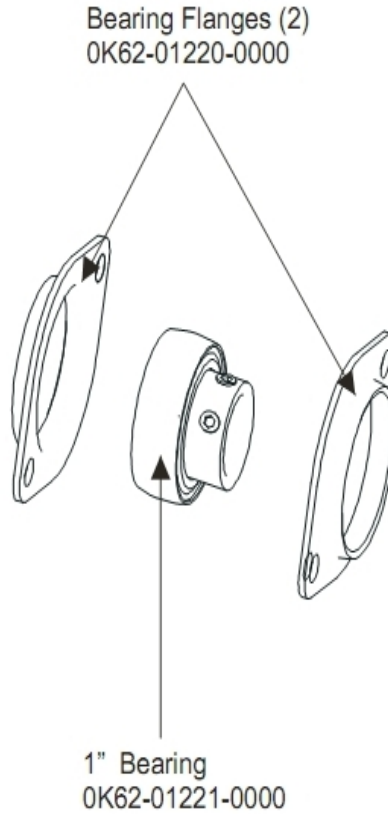
Includes:

- 1 - crankshaft
- 2 - bearings
- 2 - sets of bearing flanges
- 4 - weldnuts and flat washers
- 4 - bolts

Service Kit- GK62-00002-0045

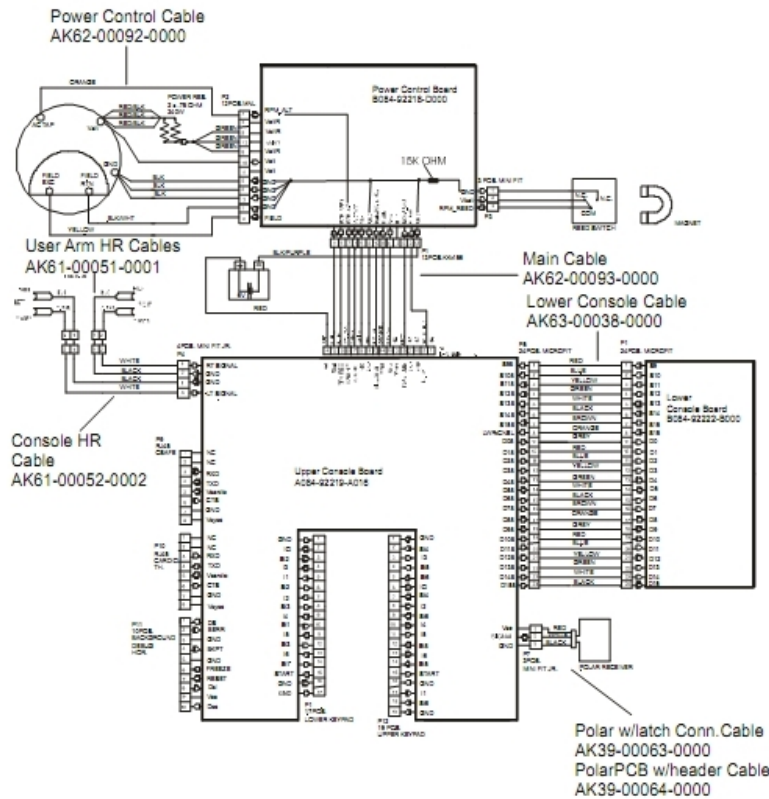
Includes:

- 1 - intermediate shaft
- 2 - bearings
- 2 - sets of bearing flanges
- 4 - weldnuts and flat washers
- 4 - bolts



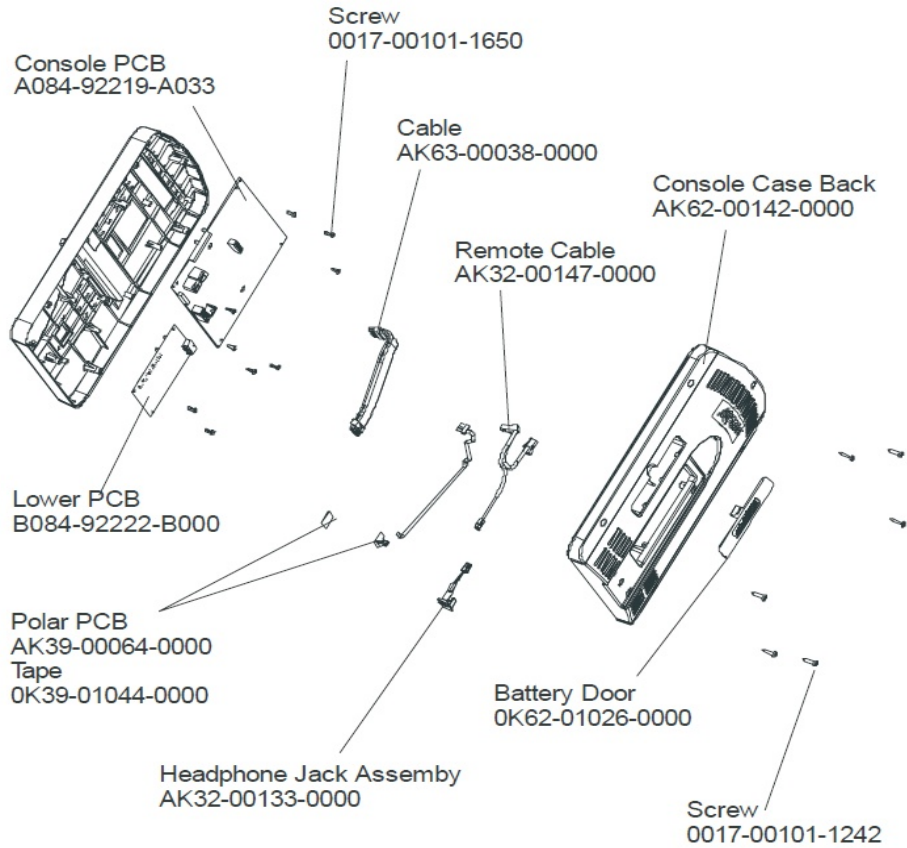
Ref #	Part Number	Qty	Description
-	AK63-00299-0007	1	SHROUD W/DECAL ASSY; LT; LIFECYCLE
-	0K62-01220-0000	2	Bearing Flange
-	GK62-00002-0044	1	Crankshaft Bearing Kit
-	0K62-01221-0000	1	1" Bearing
-	GK62-00002-0045	1	Intermediate Shaft Bearing Kit

Cables



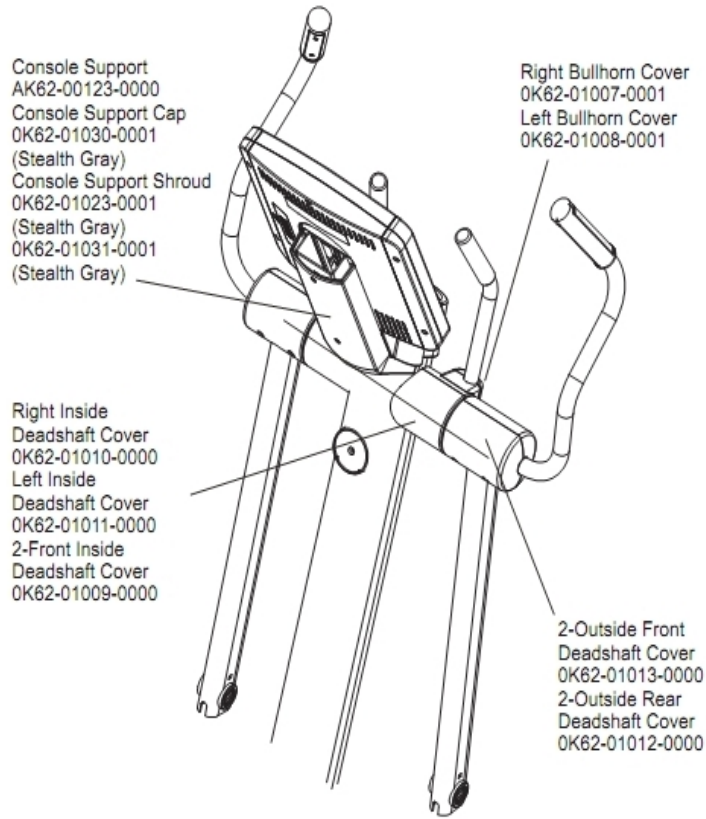
Ref #	Part Number	Qty	Description
-	AK61-00051-0001	1	Lifepulse: User-Arm
-	AK39-00063-0000	1	Polar Cable
-	AK63-00038-0000	1	Lower Console Cable
-	118E-00001-0259	1	Wireless Receiver Module, Non-Coded
-	B084-92222-B000	1	Console Board - Lower
-	B084-92218-0000	1	PCB Circuit Board
-	A084-92219-A016	1	Console Board - Upper
-	AK62-00092-0000	1	Power Control Cable
-	AK61-00052-0002	1	Lifepulse Sensor Cable
-	AK62-00093-0000	1	Main Cable

Console And Related Components



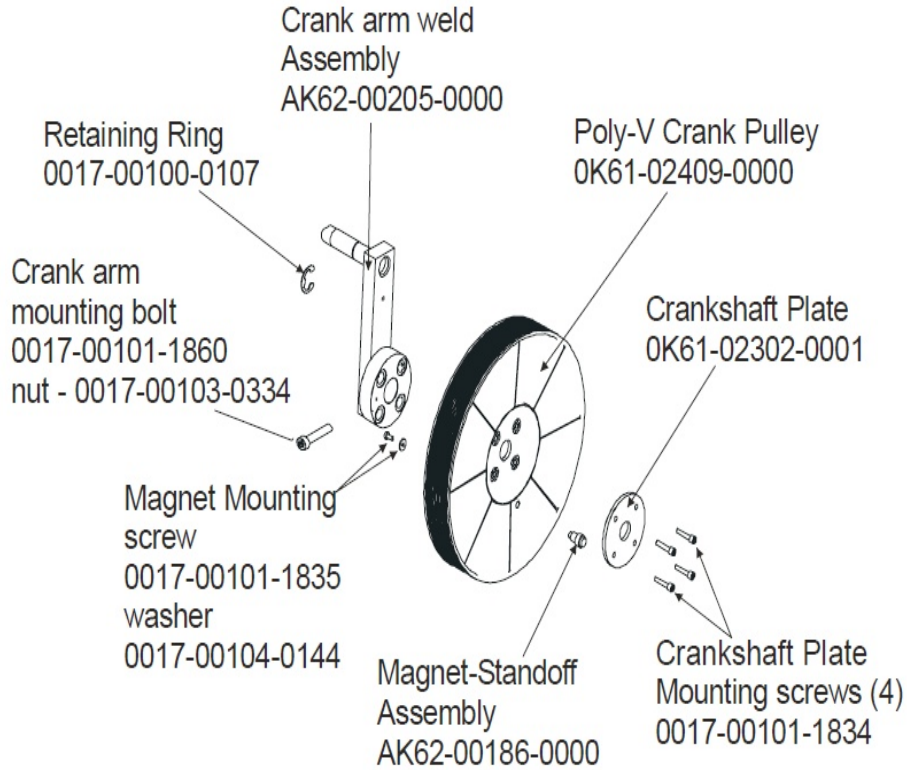
Ref #	Part Number	Qty	Description
-	118E-00001-0259	1	Wireless Receiver Module, Non-Coded
-	AK62-00315-0001	1	Console - English
-	0017-00101-1650	1	SCREW: 6-19 X 6, PHL, PAN, PLT, ST, ZB, VMI
-	0K39-01044-0000	1	TAPE: ADHESIVE B
-	A084-92219-A033	1	Console PCB
-	B084-92222-B000	1	Console Board - Lower
-	AK62-00142-0000	1	Console Case with Decal
-	AK63-00038-0000	1	Lower Console Cable
-	AK32-00147-0000	1	Cable Headphone Assembly
-	0017-00101-1242	1	VMI 8-18X12 PHL PAN AB ST BZ B
-	AK32-00133-0000	1	Headphone Jack Assembly
-	0K62-01026-0000	1	Battery Door

Console Support And Deadshaft Covers



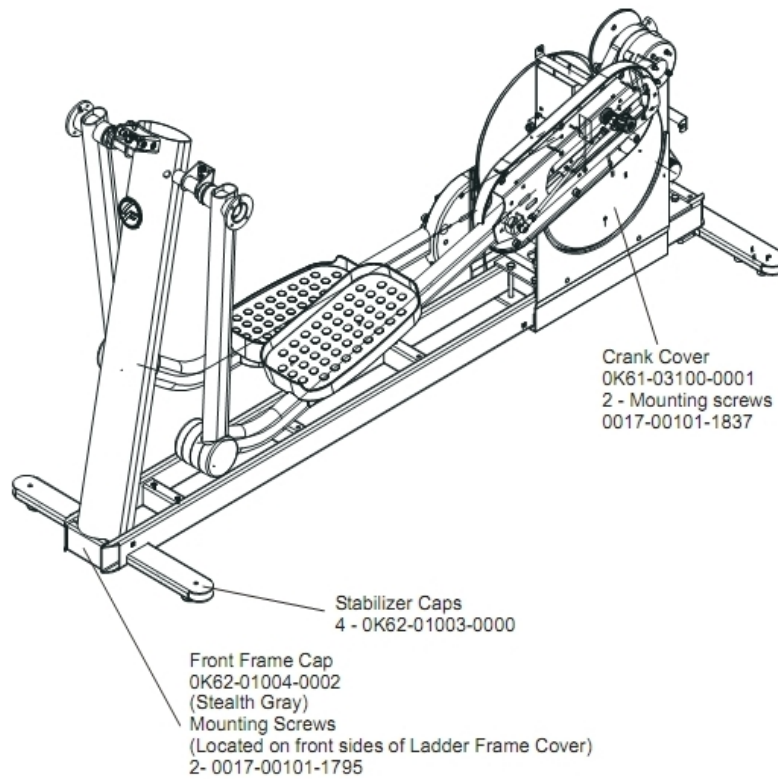
Ref #	Part Number	Qty	Description
-	0K62-01010-0000	1	Right Inside Deadshaft Cover
-	0K62-01023-0001	1	Console Support Shroud
-	0K62-01013-0000	2	Rear Outside Deadshaft Cover
-	AK62-00123-0000	1	Console Support
-	0K62-01012-0000	2	Front Outside Deadshaft Cover
-	0K62-01031-0001	1	Cap
-	0K62-01009-0000	2	Front Inside Deadshaft Cover
-	0K62-01011-0000	1	Left Inside Deadshaft Cover
-	0K62-01007-0001	1	Bullhorn Cover Right
-	0K62-01030-0001	1	Console Support Cap
-	0K62-01008-0001	1	Bullhorn Cover Left

Crank Arm Pulley Assembly



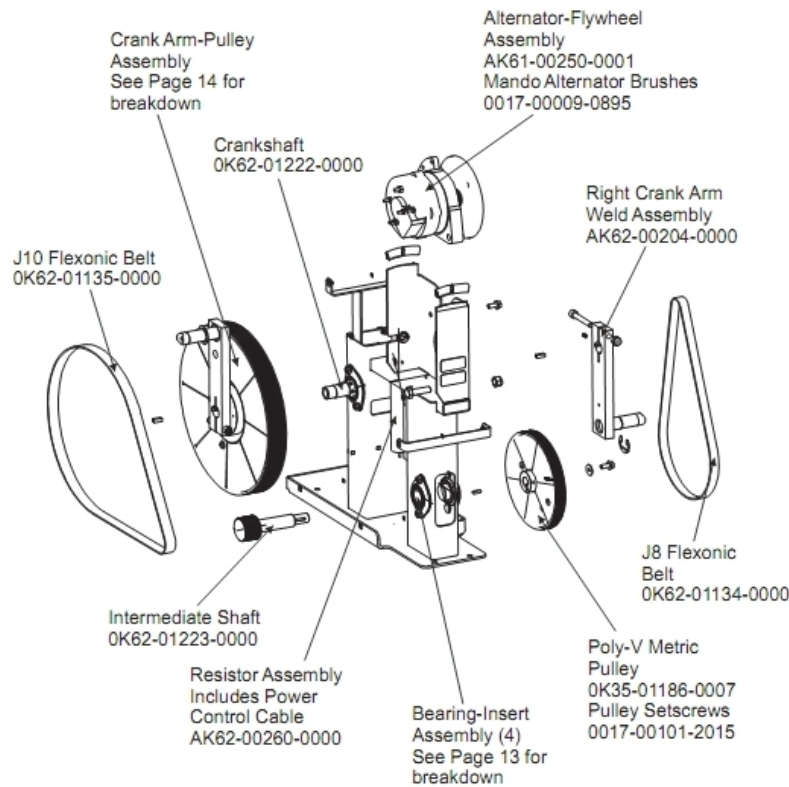
Ref #	Part Number	Qty	Description
-	0017-00100-0107	1	VMI RNG: E 1.000 5133-98 ST PP B
-	AK62-00205-0000	1	Crankarm
-	0017-00101-1849	1	Hardware: Crank arm mounting bolt
-	0017-00104-0144	1	WSH 10 200-.625-062 FL-D ST NI B
-	AK62-00186-0000	1	Magnet-Standoff Assembly
-	OK61-02409-0000	1	PULLEY: CRANK; POLY-V D
-	0017-00101-1834	4	VMI M 6X1.00-6g6gX 24 DIN TRX SOC L CS ST BO B
-	0017-00103-0334	1	NUT: M10 X 1.50-6H6H, DIN, LOCKNUT, ST, ZB
-	0017-00101-1835	1	VMI M4.5X1.59-6g6gX 10 DIN TRX PAN PT ST BO B
-	OK61-02302-0001	1	PLATE: CRANKSHAFT-WASHER C

Crank Cover And Lower Caps



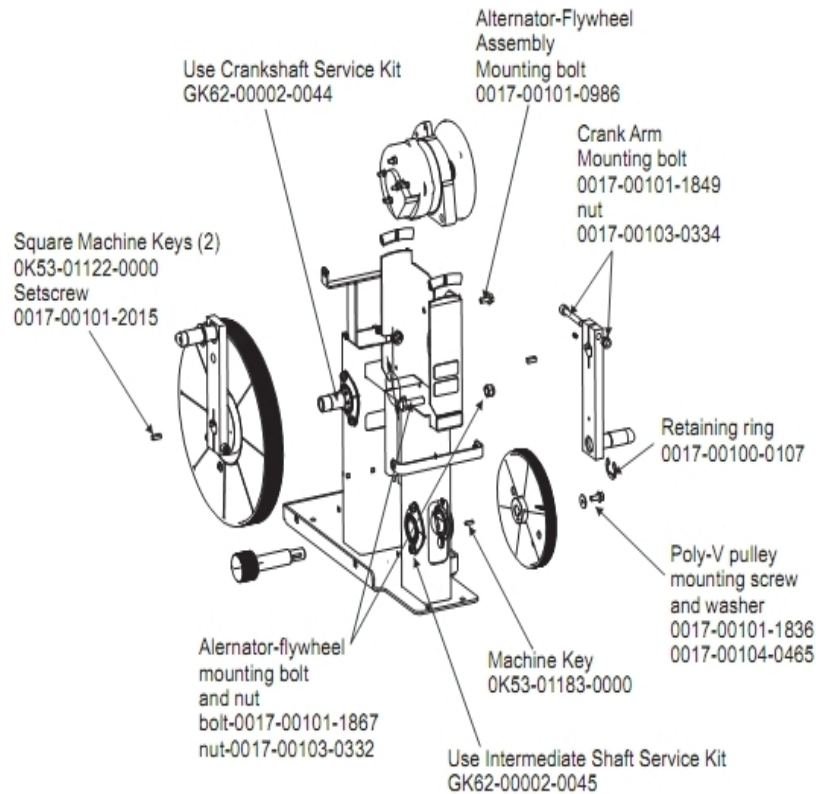
Ref #	Part Number	Qty	Description
-	0017-00101-1795	2	M4.2X0.7-6g6gX 19 DIN PHL PAN AB ST ZC B
-	0K68-01130-0300	4	CAP; STABILIZER; STEALTH GREY
-	0K62-01004-0002	1	CAP: FRONT FRAME; STEALTH
-	0K61-03100-0002	1	COVER: CRANK; ARCTIC S/C-E
-	0017-00101-1837	2	M 6X1.00-6g6gX 18 DIN TRX FLT L CS ST ZB B

Drive Module



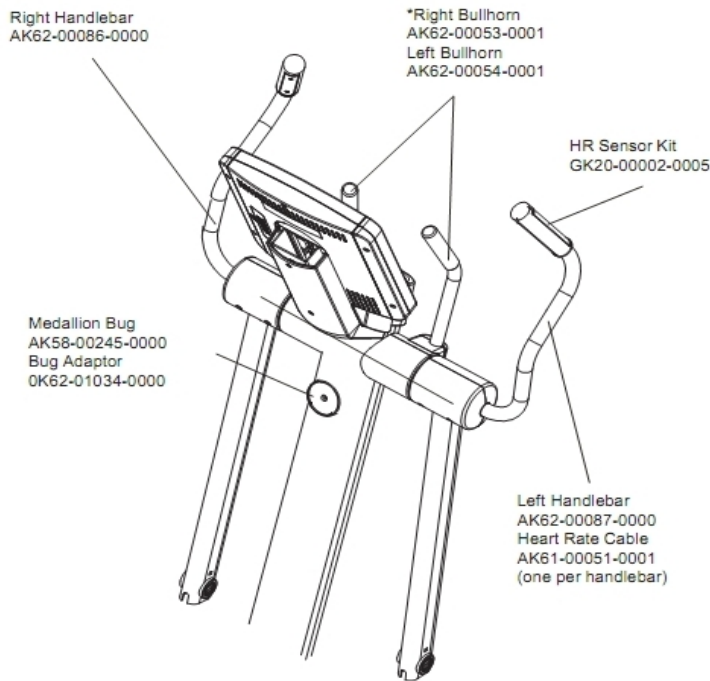
Ref #	Part Number	Qty	Description
-	0K62-01135-0000	1	Drive Belt
-	0K62-01222-0001	1	Crankshaft
-	0K62-01223-0000	1	Intermediate Shaft
-	0K35-01186-0007	1	PULLEY: POLY-V; METRIC D
-	AK62-00260-0000	1	Resistor Assembly
-	AK61-00250-0001	1	ALT-FLYWHEEL ASSY: MFG. C
-	0017-00101-2015	1	M6 X 1.0 - 6G6G X 15 DIN UNS SQR L CUP ST BO
-	AK62-00204-0000	1	Right Crankarm
-	0017-00009-0895	1	BRUSH-HOLDER ASSY: MANDO ALT.A
-	0K62-01134-0000	1	BELT: FLEXONIC; 1008J8EJ161 B

Drive Module Hardware



Ref #	Part Number	Qty	Description
-	0017-00103-0332	1	NUT M 12X1.75-6H6H DIN L LOCKNUT ST ZN B
-	GK62-00002-0044	1	Crankshaft Bearing Kit
-	OK53-01183-0000	1	VMI KEY: MACHINE; .187 B
-	0017-00101-1836	1	VMI M 6X1.00-6g6gX 10 DIN TRX BUT L CS ST ZB B
-	0017-00101-1849	1	Hardware: Crank arm mounting bolt
-	0017-00104-0465	1	WSH:M 6.40X 23.00X 1.60 DIN D FLAT G5 BO B
-	0017-00101-1867	1	M 12X1.75-6g6gX 45 DIN UNS HEX CS ST ZN B
-	0017-00101-2015	1	M6 X 1.0 - 6G6G X 15 DIN UNS SQR L CUP ST BO
-	0017-00103-0334	1	NUT: M10 X 1.50-6H6H, DIN, LOCKNUT, ST, ZB
-	GK62-00002-0045	1	Intermediate Shaft Bearing Kit
-	OK53-01122-0000	2	VMI KEY: MACHINE; SQ; .250 B
-	0017-00100-0107	1	VMI RNG: E 1.000 5133-98 ST PP B
-	0017-00101-0986	1	VMI 5/16-18X12 UNS HXW BLT G5 ZN B

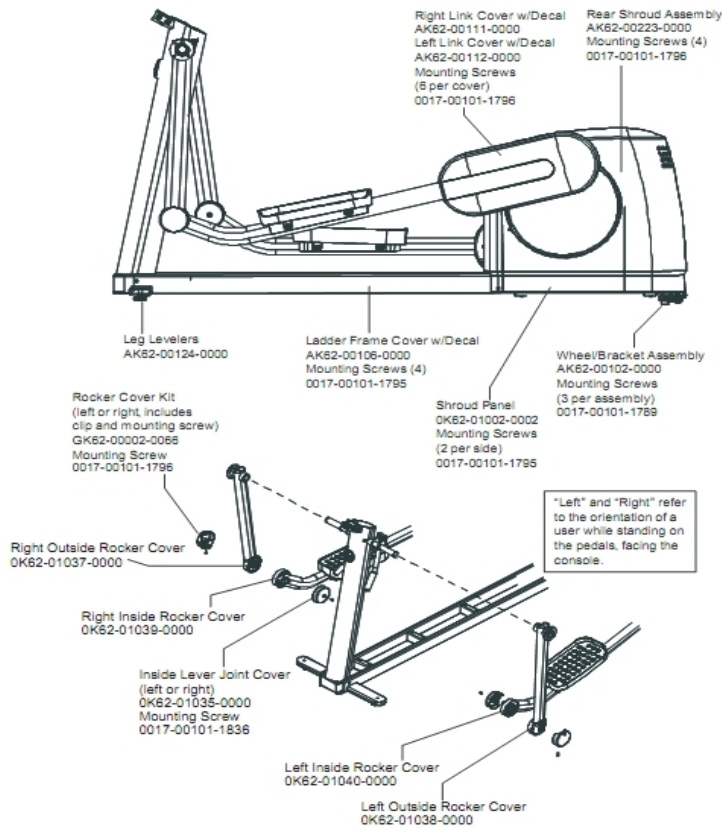
Handlebars And Bullhorns



*Right Bullhorn Assembly consists of: AK62-00057-0001 Bullhorn,
0K62-01136-0000 Grip and 0K62-01199-0000 Gasket
Left Bullhorn Assembly consists of: AK62-00058-0001 Bullhorn,
0K62-01136-0000 Grip and 0K62-01199-0000 Gasket

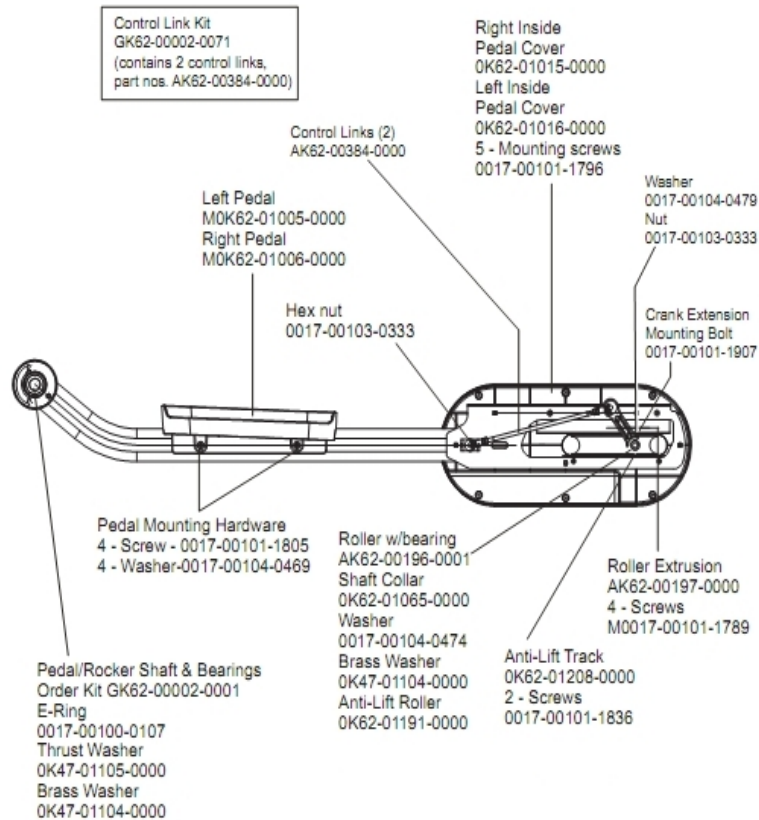
Ref #	Part Number	Qty	Description
-	AK62-00058-0001	1	Left Bullhorn
-	AK62-00057-0001	1	Right Bullhorn
-	AK61-00051-0001	1	Lifepulse: User-Arm
-	AK62-00054-0001	1	Left Bullhorn
-	AK58-00245-0000	1	Bug Medallion
-	AK62-00087-0000	1	Handlebar: Left
-	0K62-01136-0000	2	Grip
-	AK62-00086-0000	1	Handlebar: Right
-	0K62-01199-0000	1	Bullhorn Gasket
-	0K62-01034-0001	1	Bug Adaptor
-	GK20-00002-0005	1	KIT: SERV; MFG; ELECTRODES; LD;GRY; MFG.BM
-	AK62-00053-0001	1	Right Bullhorn

Lower Frame Shrouds And Hardware



Ref #	Part Number	Qty	Description
-	AK62-00112-0000	1	Link Cover with Decal: Left
-	OK62-01037-0000	1	COVER: ROCKER; OUTSIDE; RT. D
-	AK62-00223-0000	1	Rear Shroud Assembly
-	0017-00101-1836	1	VMI M 6X1.00-6g6gX 10 DIN TRX BUT L CS ST ZB B
-	OK62-01002-0003	1	Shroud Panel
-	OK62-01035-0000	1	Inside Lever Joint Cover
-	0017-00101-1789	1	Hardware: Mounting Screws
-	OK62-01040-0000	1	Left Inside Lever Joint Cover
-	GK62-00002-0066	1	Rocker Cover Kit
-	AK62-00102-0000	1	Wheel/Bracket Assembly
-	AK62-00111-0000	1	Link Cover with Decal: Right
-	OK62-01038-0000	1	Left Inside Rocker Cover
-	OK62-01039-0000	1	Right Inside Lever Joint Cover
-	0017-00101-1796	11	SCREW: M4.2 X 0.7 6G6G X 19, DIN, PHL, PAN, AB, ST, ZB
-	AK62-00106-0001	1	Ladder Frame Cover with Decal
-	AK62-00124-0000	1	LEVELER: LEG, ASSEMBLY
-	0017-00101-1795	8	M4.2X0.7-6g6gX 19 DIN PHL PAN AB ST ZC B

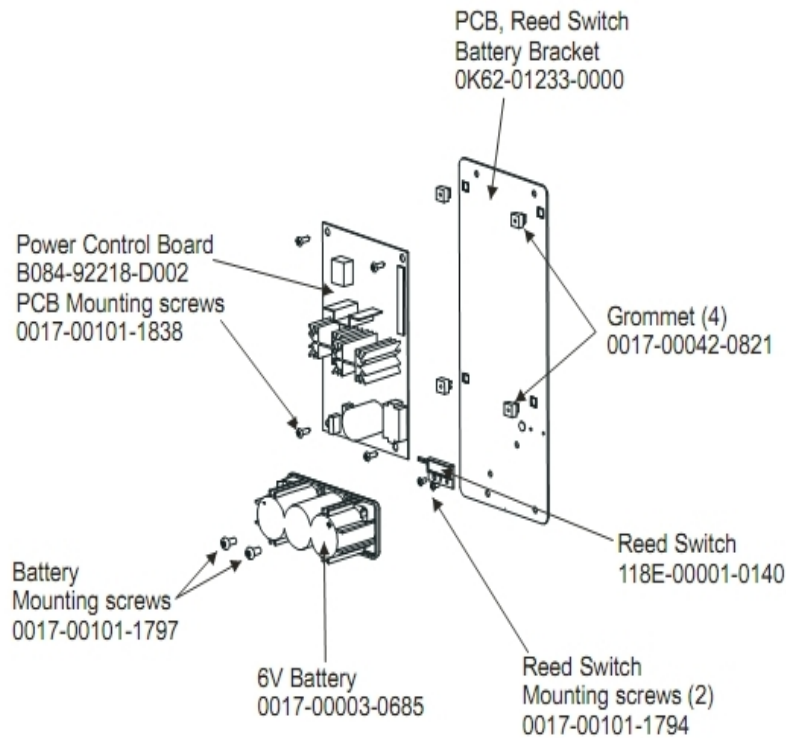
Pedal Lever Assembly Components



Ref #	Part Number	Qty	Description
-	0017-00101-1836	2	VMI M 6X1.00-6g6gX 10 DIN TRX BUT L CS ST ZB B
-	0017-00101-1789	4	Hardware: Mounting Screws
-	OK62-01016-0000	1	Inside Pedal Cover Left
-	OK62-01015-0000	1	Inside Pedal Cover Right
-	OK47-01105-0000	1	VMI WASHER: THRUST; HARDENED B
-	OK62-01005-0000	1	Left Pedal
-	GK62-00002-0071	3	Control Link Kit
-	AK62-00197-0000	1	Roller Extrusion
-	0017-00104-0474	1	Hardware: Washer
-	OK62-01208-0000	1	Anti-Lift Track
-	0017-00101-1796	5	SCREW: M4.2 X 0.7 6G6G X 19, DIN, PHL, PAN, AB, ST, ZB
-	0017-00104-0469	4	WASHER: M8.4 X 16.0 X 1.6, DIN, FLAT, ST, ZB
-	OK62-01191-0000	1	Anti-Lift Roller
-	AK62-00196-0001	1	Roller with Bearing
-	GK62-00002-0001	1	Pedal/Rocker Shaft and Bearings
-	0017-00103-0338	1	VMI NUT M8X1.25-6H6H DIN L THIN ST ZB B
-	OK62-01065-0000	1	Shaft Collar
-	0017-00103-0333	1	NUT: M8 X 1.25-6H6H, DIN, LOCKING, ST, ZN
-	OK47-01104-0000	2	WASHER: BEARING, THRUST
-	0017-00104-0479	1	WSH:M8 9.12X 25.40X 2.30 DIN D FLAT ST ZB B

Ref #	Part Number	Qty	Description
-	0017-00101-1907	1	M8 X1.25-6G6G X 40 DIN HEX SOC CS ST ZB
-	0017-00101-1805	4	VMI M 8X1.25-6g6gX 25 DIN TRX BUT L CS ST ZB B
-	0017-00100-0107	1	VMI RNG: E 1.000 5133-98 ST PP B
-	0K62-01006-0000	1	Right Pedal

PCB. Batter, Reed Switch And Bracket

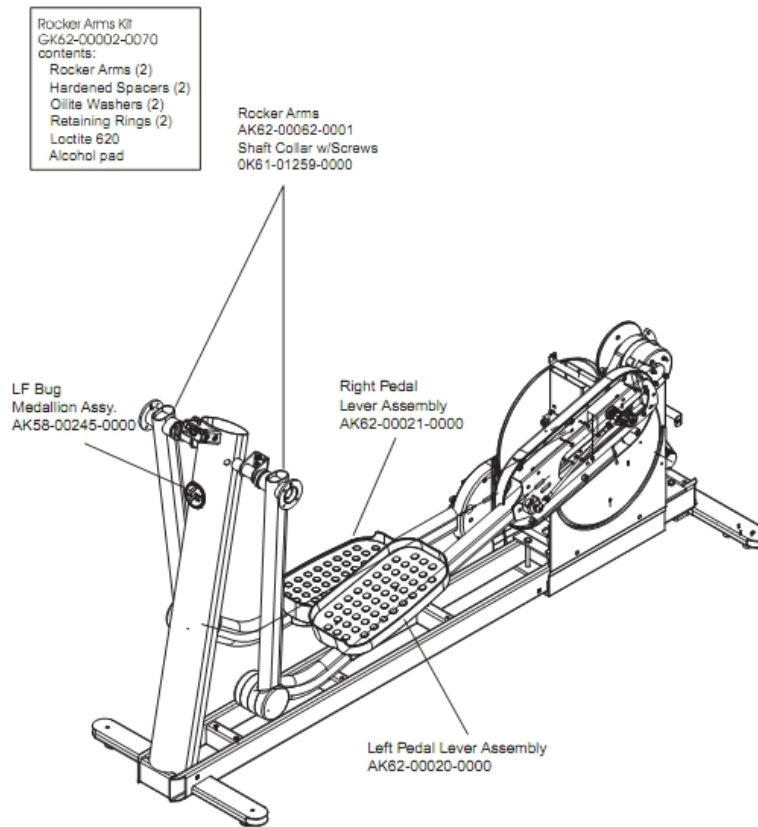


Ref #	Part Number	Qty	Description
-	0017-00101-1794	2	M 3X0.50-6g6gX 10 DIN TRX BUT TT ST ZN B
-	B084-92218-0000	1	PCB Circuit Board
-	118E-00001-0140	1	SWITCH: REED; SPDT C
-	0017-00101-1838	1	M3.5X1.30-6g6gX 19 ISO PHL RND AB ST ZN B
-	0K62-01233-0000	1	PCB Reed Switch Battery Bracket
-	0017-00101-1797	1	M 5X0.80-6g6gX 16 DIN TRX PAN TT ST ZN B
-	0017-00003-0685	1	BATTERY: 6 VOLT, 2.5AH C (0819-1006)
-	0017-00042-0821	4	VMI GROMMET: PLASTI; #6 B

References

Ref #	Part Number	Qty	Description
-	0017-00008-0206	1	PAINT: PEN; ARCTIC SILVER B
-	0017-00008-0204	1	ARCTIC SILVER AEROSOL TOUCH UP
-	AK32-00078-0001	1	CBL-ASSY: PWR EXT; 120" S/C-C
-	0017-00008-0205	1	ARCTIC SILVER TOUCH UP
-	GK62-00002-0028	1	Crankshaft Kit with Bearing
-	AK62-00210-0000	1	Power-Cable with Bracket Assembly
-	GK62-00002-0018	1	Plug in Option 120/60
-	AK62-00152-0001	1	Hardware Bag
-	0017-00042-0754	2	VMI GROMMET: NYLON; SCREW B
-	0017-00021-2846	1	CONNECTOR: COAX, PANEL MOUNT
-	0K62-01179-0001	1	Bracket: Access Panel; Plug-in
-	SK40-00045-0002	1	KIT: SERV; TRANS W/STRAP BM
-	AK32-00020-0002	1	CBL-ASSY: COAX; 120 IN. S/C-B

Rocker Arms And Pedal Levers



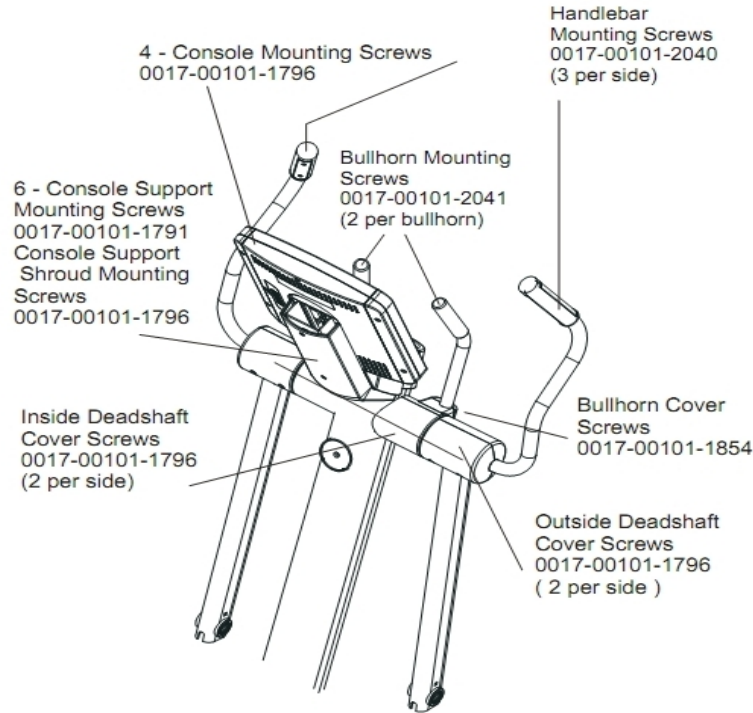
Ref #	Part Number	Qty	Description
-	AK62-00236-0000	1	Right Pedal Lever Assembly
-	AK58-00245-0000	1	Bug Medallion
-	OK61-01259-0000	1	COLLAR: SHAFT; 1-1/4
-	AK62-00235-0000	1	Left Pedal Lever Assembly
-	GK62-00002-0070	2	Rocker Arm Kit

Unlabeled Parts

Ref #	Part Number	Qty	Description
-	0K39-01044-0000	1	TAPE: ADHESIVE B
-	0017-00100-0178	1	VMI RNG:BRE 1.250 5100-125 ST PP B
-	A084-92219-A020	1	PCB Assembly
-	AK62-00087-0000	1	Handlebar: Left
-	AK62-00235-0000	1	Left Pedal Lever Assembly
-	0K62-01009-0000	1	Front Inside Deadshaft Cover
-	0K62-01013-0000	1	Rear Outside Deadshaft Cover
-	AK62-00142-0000	1	Console Case with Decal
-	0017-00101-1854	1	VMI M4.2X0.70-6g6gX 44 DIN PHL PAN AB ST ZB B
-	0017-00104-0418	1	VMI WSH 1.2-1.75-060 FL-D ST ZN B
-	0017-00101-1650	6	SCREW: 6-19 X 6, PHL, PAN, PLT, ST, ZB, VMI
-	AK62-00152-0001	1	Hardware Bag
-	AK62-00315-0001	1	Console - English
-	GK62-00002-0070	1	Rocker Arm Kit
-	0017-00042-0754	1	VMI GROMMET: NYLON; SCREW B
-	AK62-00058-0001	1	Left Bullhorn
-	GK62-00002-0030	1	Kit: Serv; Console; Mfg; with FM; NTSC; Spanish
-	0K62-01010-0000	1	Right Inside Deadshaft Cover
-	0K62-01008-0001	1	Bullhorn Cover Left
-	0K62-01023-0001	1	Console Support Shroud
-	AK32-00078-0001	1	CBL-ASSY: PWR EXT; 120" S/C-C

Ref #	Part Number	Qty	Description
-	OK62-01026-0000	1	Battery Door
-	AK62-00057-0001	1	Right Bullhorn
-	AK62-00123-0000	1	Console Support
-	AK62-00210-0000	1	Power-Cable with Bracket Assembly
-	M051-00K63-A102	1	Instructions: Product Feature Notice
-	0017-00101-1280	4	VMI 4-40X 4 TRX PAN TT ST BZ B
-	OK62-01012-0000	1	Front Outside Deadshaft Cover
-	OK62-01030-0001	1	Console Support Cap
-	AK62-00054-0001	1	Left Bullhorn
-	OK62-01007-0001	1	Bullhorn Cover Right
-	AK32-00020-0002	1	CBL-ASSY: COAX; 120 IN. S/C-B
-	OK61-01259-0000	1	COLLAR: SHAFT; 1-1/4
-	AK58-00245-0000	1	Bug Medallion
-	AK62-00053-0001	1	Right Bullhorn
-	OK62-01136-0000	1	Grip
-	0017-00101-1791	1	VMI M 8X1.25-6g6gX 19 DIN TRX FLT L CS ST BZ B
-	OK62-01011-0000	1	Left Inside Deadshaft Cover
-	GK62-00002-0071	1	Control Link Kit
-	AK32-00133-0000	1	Headphone Jack Assembly
-	AK62-00086-0000	1	Handlebar: Right
-	0017-00101-1242	8	VMI 8-18X12 PHL PAN AB ST BZ B
-	OK62-01022-0202	1	TRAY: ACCESSORY; SHDW-02XX
-	OK62-01199-0000	1	Bullhorn Gasket
-	OK62-01034-0001	1	Bug Adaptor
-	AK32-00147-0000	1	Cable Headphone Assembly
-	0017-00101-1846	1	SCREW: M4.2 X 1.4-6G6G X 10, DIN, PHL, PAN, AB, ST, ZB
-	AK62-00236-0000	1	Right Pedal Lever Assembly

Upper Frame Hardware



Items Not Shown:

Accessory Tray	0K62-01022-0001 (Stealth Gray)
Mounting Screws (2)	0017-00101-1846

Ref #	Part Number	Qty	Description
-	0017-00101-2040	6	Hardware: Handlebar Mounting Screw
-	0017-00101-1791	6	VMI M 8X1.25-6g6gX 19 DIN TRX FLT L CS ST BZ B
-	0K62-01022-0001	1	Accessory Tray
-	0017-00101-1846	2	SCREW: M4.2 X 1.4-6G6G X 10, DIN, PHL, PAN, AB, ST, ZB
-	0017-00101-1854	1	VMI M4.2X0.70-6g6gX 44 DIN PHL PAN AB ST ZB B
-	0017-00101-1796	13	SCREW: M4.2 X 0.7 6G6G X 19, DIN, PHL, PAN, AB, ST, ZB
-	0017-00101-2041	4	Hardware: Bullhorn Mounting Screw

