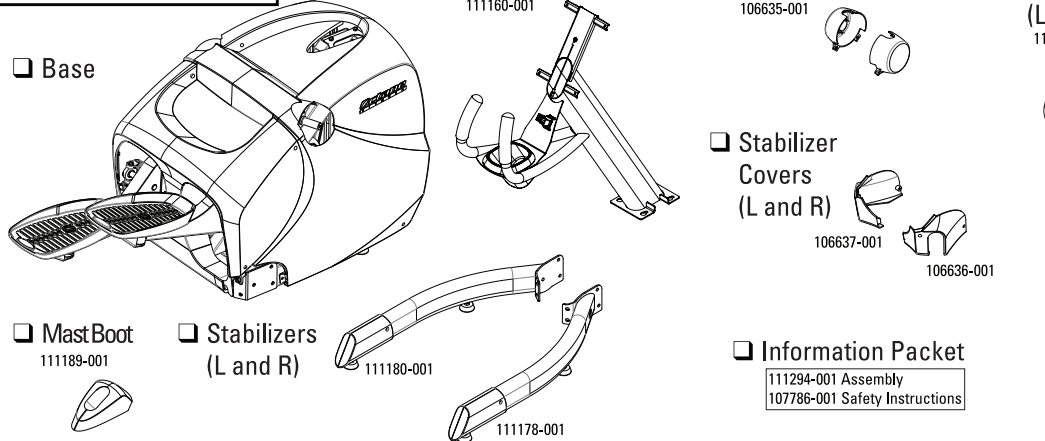
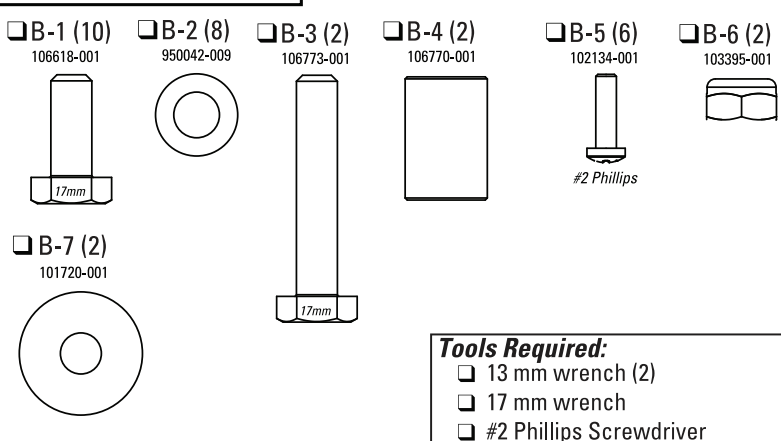


Box Contents

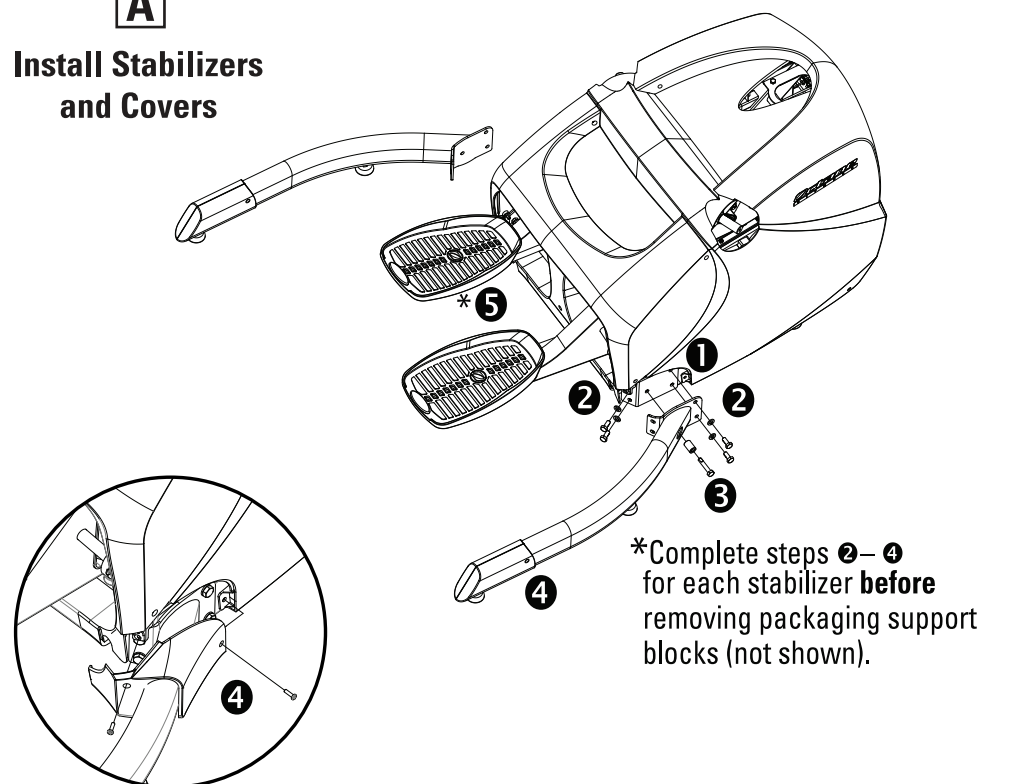


Hardware Pack



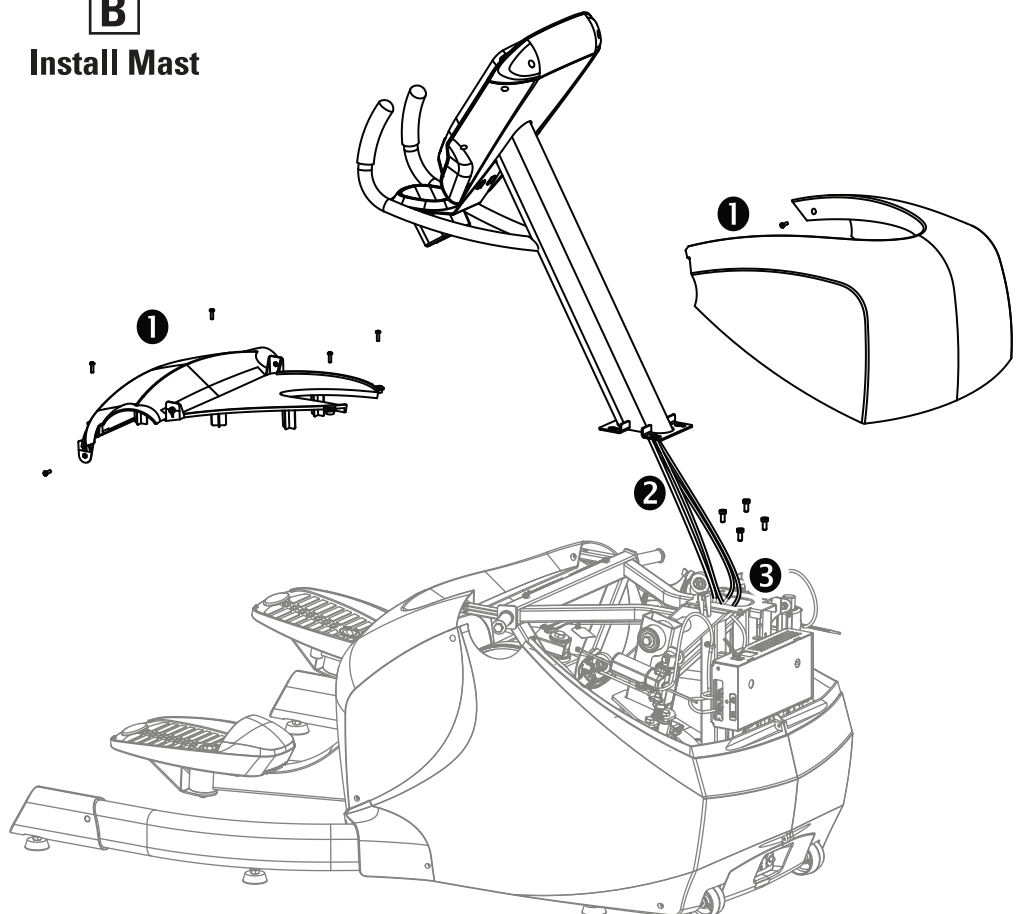
- Tools Required:**
- 13 mm wrench (2)
 - 17 mm wrench
 - #2 Phillips Screwdriver

A Install Stabilizers and Covers



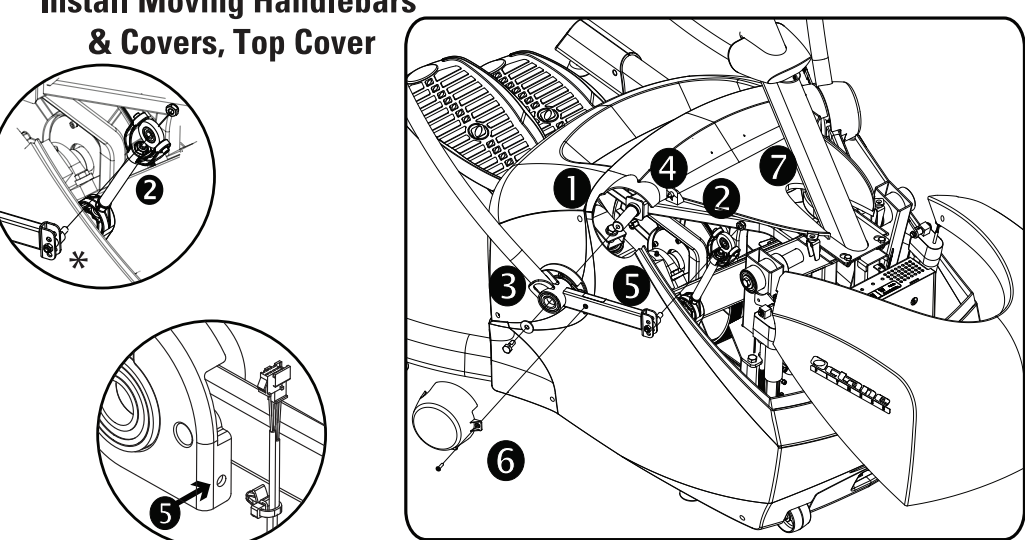
- Remove and discard plastic fasteners securing packaging to each side of base; fold down cardboard flaps.
 - Attach stabilizer with B-1 (Quantity 4) and washer B-2 (Quantity 4).
 - Insert B-3 (Quantity 1) through sleeve B-4 (Quantity 1) and through stabilizer into base. Tighten all 5 bolts with 17mm wrench to 35 ft-lb.
 - Attach stabilizer cover with B-5 (Quantity 2); tighten with #2 Phillips screwdriver.
- Repeat 2 through 4 for second stabilizer.
- Remove packaging support block(s) and carefully set unit on floor.

B Install Mast



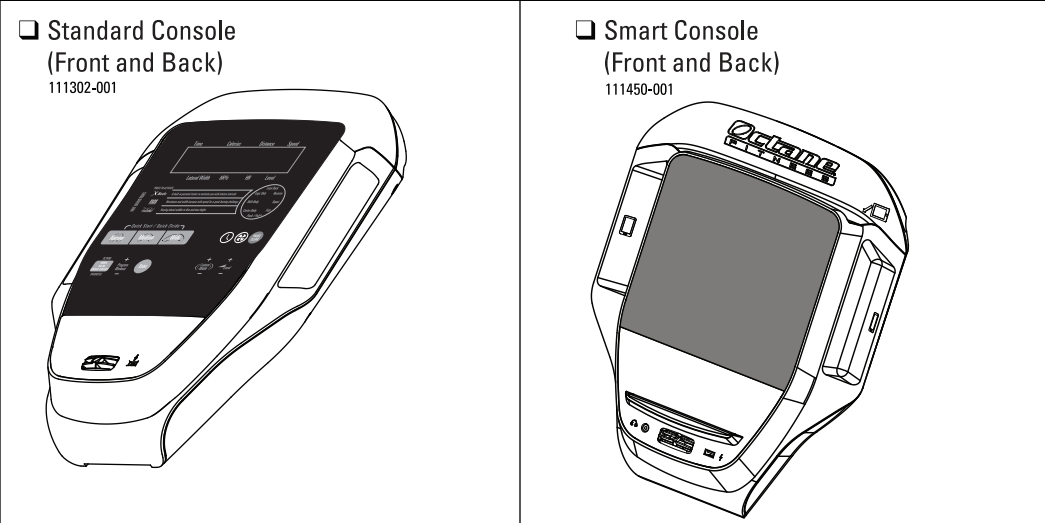
- Use #2 Phillips screwdriver to remove screws securing hood (Quantity 2) and top cover (Quantity 6); retain screws. Remove hood and top cover from unit, then remove protective film from top cover; set hood and top cover aside.
- Remove wire twist ties securing cable bundle under mast plate; route cables up and out the top of the mast.
- Slide mast over 4 screws on base; tighten to 20 ft-lb with 13mm wrench.

C Install Moving Handlebars & Covers, Top Cover



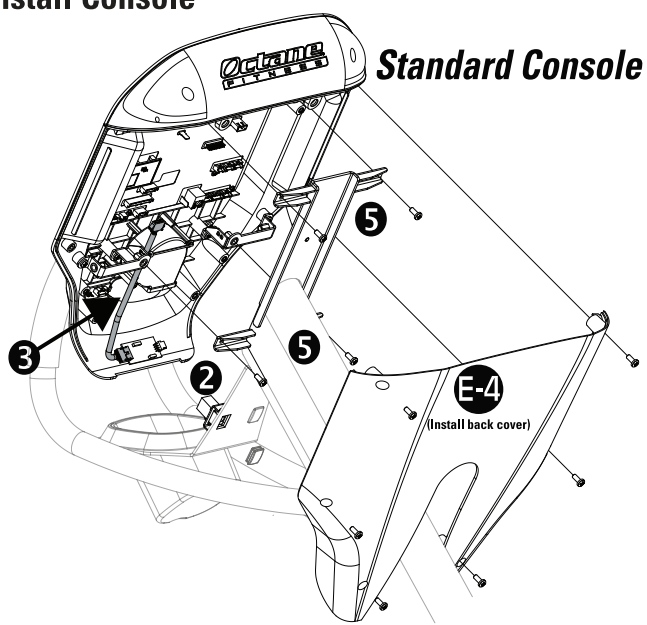
- Slide handlebar onto shaft.
**Optional— adjust handlebar reach +/- 2.4" (61mm): Use 13mm and 17mm wrenches to remove bolt, reposition shaft and spacer (top hole is longest reach), and re-install.*
 - Remove protective packaging, then connect arm link to bottom of handlebar with B-6 (Quantity 1); tighten with 17mm wrench to 30 ft-lb.
 - Secure arm in shaft with B-1 (Quantity 1) and B-7 (Quantity 1; tighten with 17mm wrench to 30 ft-lb.
 - Remove tie securing handlebar cables to frame; connect to cables in moving handlebar cables (Quantity 2).
 - Press plastic clip on handlebar cables into hole on moving handlebar to secure cables, as indicated by label.
- Repeat 1 through 5 for second handlebar.
- Attach handlebar covers with B-5 (Quantity 1 each).
 - Use #2 Phillips screwdriver to reinstall top cover (8 screws, removed in step B-1).

Console Box Contents

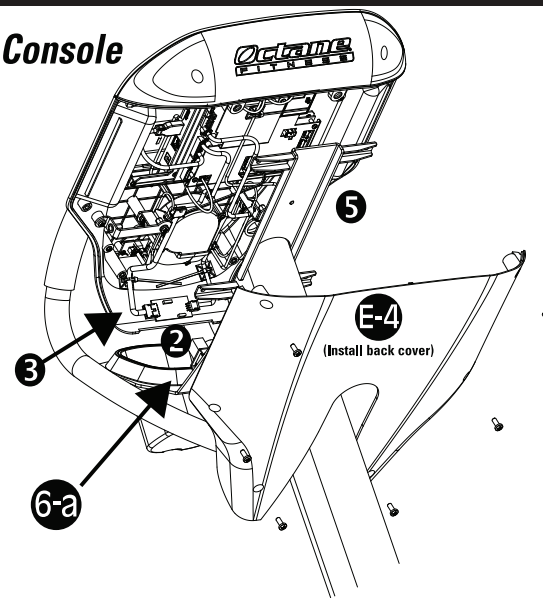


- Hardware Pack** (110622-001)
- C-1 (10) (100780-001)
 - #2 Phillips
- Tools Required:**
- #2 Phillips Screwdriver
- Information Packet (attached to console)**
- 110601-001 Notice to Installers
 - 111290-001 LX8000 Console Guide & Set-up Instructions—Standard Console
 - 104198-001 Warranty
 - 101315-001 Registration Card
- Hardware Pack** (110622-001)
- C-1 (10) (100780-001)
 - #2 Phillips
- Tools Required:**
- #2 Phillips Screwdriver
- Information Packet (attached to console)**
- 110601-001 Notice to Installers
 - 111768-001 Console Guide & Set-up Instructions—Smart Console
 - 104198-001 Warranty
 - 101315-001 Registration Card

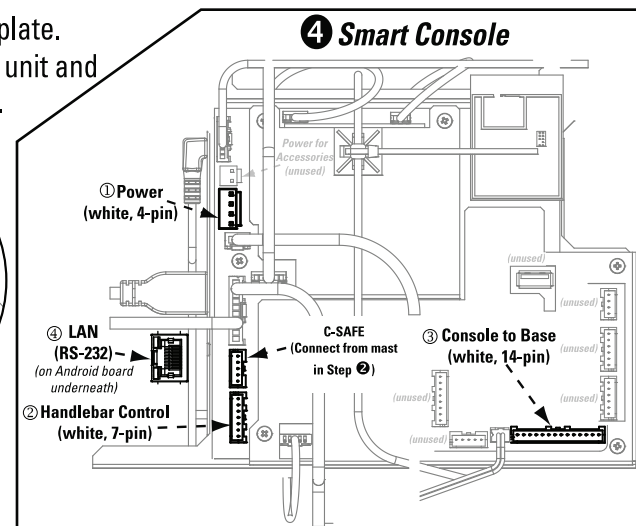
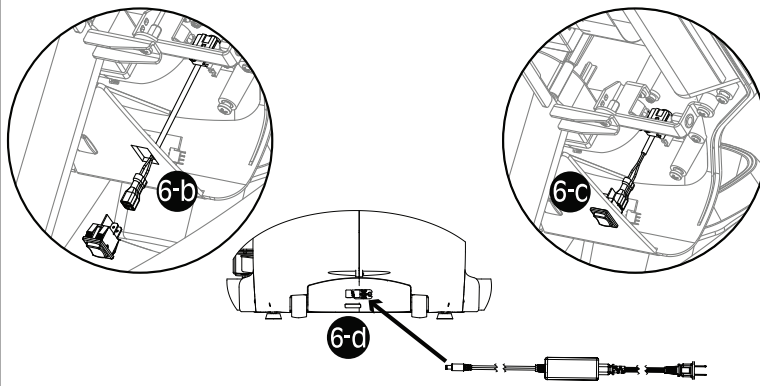
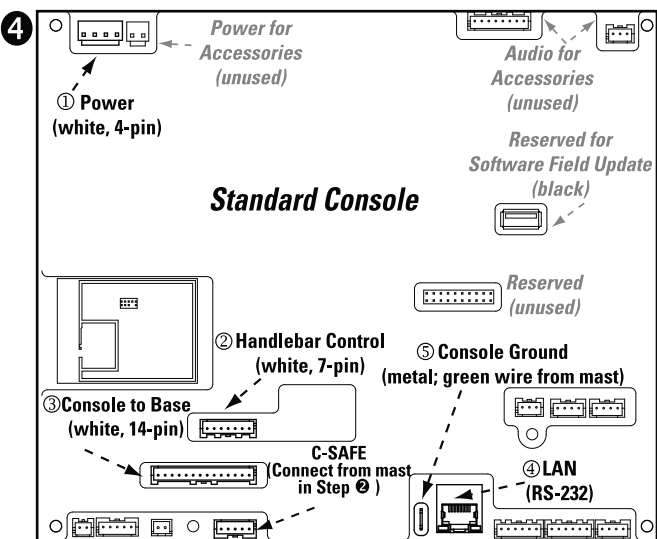
D Install Console



Smart Console



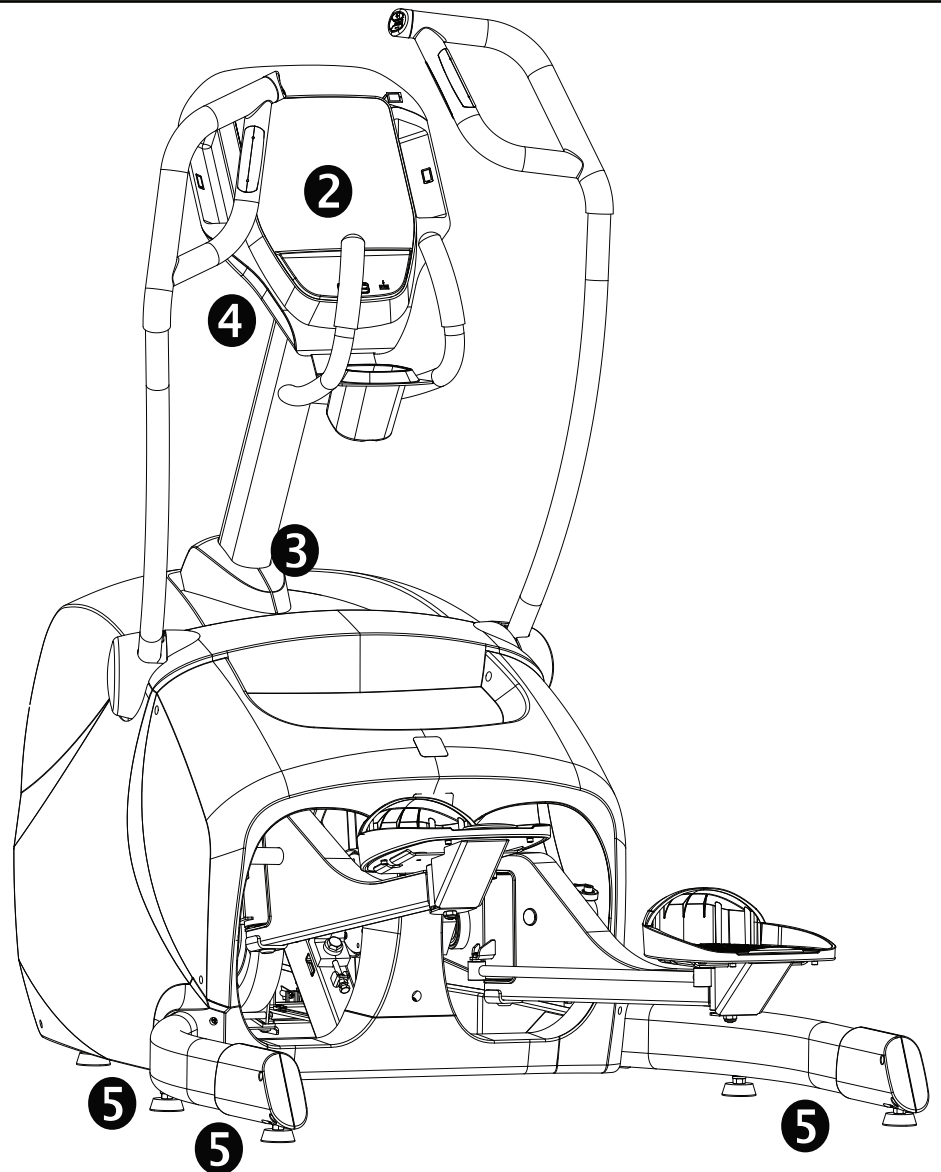
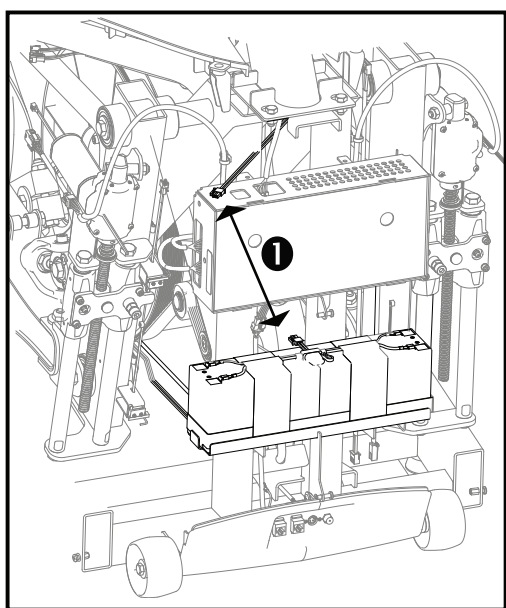
- 1 Separate console back from console front; set console back aside (not shown).
- 2 Connect the C-SAFE cable from the C-SAFE port on the mast to the console (cable not shown). **Note:** If you are installing a 900 MHz accessory, remove and discard the C-SAFE cable.
- 3 Connect heart rate cable attached to heart rate board on console back to heart rate cable from mast (black, 6-pin connector).
- 4 Make additional cable connections from mast to back of console:
Standard Console: ① power, ② handlebars, ③ base, ④ LAN, ⑤ ground
Smart Console: ① power, ② handlebars, ③ base, ④ LAN (leave ground unconnected)
- 5 Using Phillips #2 screwdriver, attach console front to top of mast with C-1 (quantity 4); tighten.
- 6 **For Smart console only:** Install power switch; connect cable and power.
 - a. Remove plug from mast plate.
 - b. Route two-connector end of switch cable through the opening where plug was removed. Attach connectors to tabs on switch (either connector can go on either tab).
 - c. Press switch into opening until flush with bottom of mast plate.
 - d. Connect power cord and power supply. Plug into base of unit and wall socket. Press power switch to power on the console.



If you have the optional **Personal Viewing System (PVS) accessory**, refer to **Personal Viewing System (PVS) Assembly Instructions** (Part Number 110748-001), located in the box with your PVS accessory, then return to these instructions to complete final assembly.

If you have the optional **900 MHz accessory**, refer to **900 MHz Assembly Instructions** (Part Number 110749-001), located in the box with your 900 MHz accessory, then return to these instructions to complete final assembly.

E Connect Battery, Attach Covers & Mast Boot, Level Machine



- 1 Connect cable on battery to cable in base (if you have not already done so during installation of PVS or 900MHz accessory).
- 2 Pedal machine and verify power to console and, if applicable, complete Console Setup according to instructions found in the Console Guide and Setup Instructions (Part Number 111290-001 – Standard Console or Part Number 111768-001 – Smart Console).
- 3 Use #2 Phillips screwdriver and 2 screws to reinstall hood (removed in step B-1). Wrap mast boot around bottom of mast and tuck into top cover.
- 4 Use #2 Phillips screwdriver to attach back cover to console with C-1 (Quantity 6); tighten (shown in Section D illustration).
- 5 Adjust and lock levelers (2 in front, 2 on each stabilizer); **make sure all 6 touch the floor and each nut is tight.**



search: Octane Fitness

Questions?
octanefitness.com