



2018 BLANK CATALOG

MARKOFOAMBLANKS.COM

TABLE OF CONTENTS

GENERAL INFO.....	2
AS SEEN IN.....	4
Q & A.....	6
FOAM TYPES.....	9
STRINGER OPTIONS.....	12
BLANK CATALOG.....	14
SUP CATALOG.....	56

GENERAL INFO

CONTACT

MARKO FOAM BLANKS HQ
2500 WHITE ROAD
SUITE A
IRVINE, CA 92614
(949) 417-3307
ORDER@MARKOFOAM.COM

WHOLESALE ACCOUNT SET-UP (FOR BUSINESSES ONLY)

Email business license and reseller ID to order@markofoam.com

RETAIL

If you are not a business, you can purchase our products from any of our retails or from our online store.

DELIVERY METHOD AND SCHEDULE

Marko Foam delivers direct in California from our Irvine based factory. Our blanks are available to all other locations via box shipments, pallet shipments, or container loads.

DELIVERY TYPE	METHOD	LOCATION	QUANTITY
Direct	Marko Truck	San Diego to San Francisco	5-300
Box	Common Carrier	Worldwide	4-5 /BOX
Pallet	Freight Truck	Continental US	Approx. 50
Container	Freigh Truck + Ship	Worldwide	400-800

MARKO TRUCK DELIVERY SCHEDULE

MONDAY: VARIES, LOS ANGELES OR SAN DIEGO DEPENDING ON NEEDS.
TUESDAY: SAN DIEGO
WEDNESDAY: SANTA BARBARA/LOS ANGELES
THURSDAY: SAN DIEGO
FRIDAY: VARIES, LOS ANGELES OR SAN DIEGO DEPENDING ON NEEDS.

*San Francisco and San Luis Obispo Deliveries every 3-4 weeks (subject to change).

PAYMENT TERMS

WHOLESALE

Initial orders are either prepayment or C.O.D. All container orders require 50% deposit and final 50% is due prior to shipping. Credit terms are considered only after a client relationship has been established. Once relationship is established client will fill submit credit form. A finance charge of 24% APR is applied to past due balances.

ONLINE

All online orders require full payment up front. We accept all credit and debit cards.

PICK UP

All pick up orders are either prepayment or C.O.D. We accept cash, check or all major credit cards.

GUARANTEE

Marko Foam guarantees the quality of our blanks. If you receive a blank that does not meet our quality standards, we will replace the blank. In addition, if that blank has been shaped, we will credit the customer with a shaping fee (per our schedule) OR an additional blank (to be determined by Marko Foam). In order to be eligible for either credit, the inferior blank must be returned to Marko Foam.

SUSTAINABILITY

At Marko Foam, our recycling and sustainability initiatives are a top priority. At all of our facilities we believe in zero waste. We make sure all scraps and dust from both our facilities are collected, recycled and repurposed back into our products. Not only do we recycle our waste but we are an EPS Industry approved foam collection facility. This allows anyone to drop off their EPS trash to be recycled. All collected foam is collected, grinded, melted down and reused back into our foam product line.

Our Waste to Waves Program in collaboration with Sustainable Surf has been given both national and international recognition. Thanks to our W2W surf shop partners, we are able to collect consumer EPS foam waste from their collection boxes. We take that EPS waste to recycle, process and repurpose the foam into all of our foam products not just surfboards.

MARKETING

Marketing resources (listed below) are available for free to our wholesale customers. Our goal is to educate our customers and surfers alike on our foam technologies, the importance of using quality foam and our current position as the only eco-board approved foam on the market.

- Blank Catalog
- T-Shirts
- Lams
- Stickers

**AS
SEEN IN**



"Marko is Album's only source for EPS. Best cell structure, feel & performance hands down and the best crew to work with!"
- Matt Parker, Album Surfboards

"Marko Foam not only makes great EPS, but also provides outstanding customer service and insight that allows me to make a better surfboard."
- Jon Pyzel, Pyzel Surfboards

"I have been using Marko exclusively for EPS for 17 years. Their quality service and dependability on their product is unmatched in this industry."
- David Vernor, Vernor Surfboards

Q & A

Marko Foam Blanks

Location : Irvine, CA - USA

1/ Genesis of the factory

Marko was founded in 1959 by Don Peterson as a family owned & operated foam manufacturing and fabrication facility. Today, Marko has three generations of the Peterson family working, including the Founder Don Peterson.

In 2006 Marko took decades of knowledge molding EPS foam and started a specialized line of EPS surfboard blanks. Marko wanted to prove that EPS is a viable option for building high quality surfboards.

Marko has continued to grow their blank line by working with some of the best board builders in the world including William Stretch* Riedell of Stretch Surfboards and Matt Mayhem* Biolos of Lost Surfboards. This has allowed them to test the limits on what material and construction methods a high-performance surfboard can be built from by being ridden by some of the best surfers in the world.

3/ What is your product line ?

Marko has a full collection of water sport related foam blanks including wake surfs, body boards, surfboards and SUPs.

4/ Benefits of Marko's MOLDED EPS Blanks

Marko prides itself on the quality of their products. Marko uses a proprietary molding technique when making their blanks. This enables them to:

- > Have consistent densities throughout their blanks.
- > High fusion between beads making for a better finish when shaping and overall stronger board.
- > High durability factors means longer board life and better investment over time.
- > 100% recyclable material and safer to use for your health.



PREMIUM BLANKS MADE IN USA

2/ EPS / PU ?

Marko Foam is an EPS surfboard blank manufacturer that uses unique form molding techniques to ensure the tightest bead fusion, cleanest finish and the best performance possible in a finished surfboard. Meaning the foam is more durable because of tight fusion, safer to shape due to lack of chemicals and better performing because of its balanced densities. EPS foam is known for its recyclable qualities. Marko recycles over 150,000 lbs a year.

5/ How are blanks produced ?

Each Marko blank is molded in an aluminum mold that is also manufactured by Marko Foam. They use a proprietary bead type that is pre-expanded to a precise density before it is injected into the mold. Steam is used to build up pressure inside the cavity to fuse the beads together. The molding process and bead type that is used enables Marko to create very tight fusion between the beads making for a smoother finish for shaping and overall stronger board.

6/ About different densities and uses ?

The density of a blank can greatly effect the weight and flex of a board. EPS is known for being lighter than PU boards but that is only if you want it to be. If you increase the density of the blank you can match the weight and overall buoyancy of a PU board. With higher densities you also create more crush resistance and increase overall strength so heavier glass jobs are not necessary. Without a heavy glass job, you will create more flex in the board.

7/ About stringers : How to choose the right one ?

The type of stringer you use can greatly effect the flex and feel of your board. Softer stringers, such as Cedar are going to flex more. While a harder wood like bamboo will absorb a lot of the vibration that can be felt while riding a wave and stiffen the board which is great for big wave boards.

With new construction methods being developed, new types of stringers such as high density EPS, PU and other composite materials have emerged. These can greatly change the flex pattern of boards depending on what type of glass jobs they are combined with. The testing of these products are still underway but have had promising feedback from those who have tried it.

8/ What's new in your future ? Next product evolution ?

We are constantly pushing to make the highest quality blanks possible. We recently launched a new formula for our blanks that has superior fusion between the beads which makes for a better shaping experience and overall stronger board. We also have a new line of blanks that will truly revolutionize the industry and set them apart from other blank companies when released. We are ready as anybody to take on the ever changing landscape of the surfboard building community, the question is not what can we do but what can't we do.



FOAM TYPES

FOAM TYPES



VIRGIN FOAM

The virgin surfboard blank is our staple product that has been in production since day one. This blank is made out of our newest EPS formula. This formula has the ability to be completely recycled.

BENEFITS TO THE VIRGIN FOAM:

Stronger board due to tight fusion between the beads. Cleaner look Easier to shape because the tightly fused beads that do not fall apart.

ENVIRO-FOAM

The surfboard blank choice for all sustainable surfboards. This is an innovative technology which allows all types of EPS regrind (not just surfboard scraps) to be made into a high grade, moldable material and be put back into production again. Our current Enviro-Foam blanks are made with 25% recycled foam.

We have partnered with Sustainable Surf to help lead their EcoBoard Project which helps surfers find high-performance surfboards with a reduced environmental impact.

BENEFITS OF ENVIRO-FOAM:

Stronger board due to tight fusion between the beads. Cleaner look Easier to shape because the tightly fused beads that do not fall apart. Eco-Board Approved by Sustainable Surf.

*Available on select blank models

I-FOAM

I-foam is a highly durable copolymer material that we developed for high-performance water sports as seen in many soft boards and body boards. We brought this high-tech, lively core to the surfing public to enjoy back in the 80's. The I-Foam core has been shaped and tested in all kinds of surfing conditions to ensure the highest quality water sport foam blank is made.

BENEFITS OF I-FOAM:

No water absorption due to its closed cell material that is fused tightly together. Highly durable due to the incredible strength of the epoxy glassing and resiliency of the I-Foam material. High performance due to the memory of the I-Foam allows the rider to rebound and glide into turns easier.

*Available on select blank models



Density Chart

Blank Description	VIRGIN EPS			ENVIRO-FOAM			I-FOAM		
	1.7lb	2.0lb	2.3lb	1.7lb	2.0lb	2.3lb	1.7lb	2.0lb	2.3lb
MOLDED BLANKS									
Wakesurf Regular		X							
Wakesurf Thick		X							
6'0 M Regular		X							
6'0" M Thick	X	X	X		X				
6'1 Pescado		X							
62 H New		X							
6'2 Thick		X							
6'4 TP		X							
6'4 Thick	X	X	X		X			X	X
6'6 Halibut		X							
6'6 M	X	X	X		X				
6'8 JJ		X							
6'9 Regular		X							
6'9 Whale		X							
6'9 Thick	X	X	X		X			X	
7'2 M		X	X						
7'2 M Thick		X			X				
7'4 Halibut		X							
7'5 Machin All		X	X						
7'6 JJ		X							
7'6 Thick		X	X						
8'5 Universal		X							
8'5 Machinal all	X	X	X						
9'1 JJ		X							
9'1 Machine All	X	X	X		X			X	
BLOCK CUT	1.0#	1.5#	2#	Gun Blanks: Our Gun Blanks are available in 2.0# and 2.5# densities up to 12' and are Block cut.					
MK 7'0		X	X	SUP Blanks: Our SUP blanks are available in 1.5# up to 12'0" and 1.0# up to 18'0" and are Block cut.					
MK 9'6		X	X						
MK 10'0	X	X	X						
MK 10'10"	X	X	X						
*Additional Densities available upon request				info@markofoam.com				Rev. 11/06/17	

STRINGER OPTIONS

STRINGER OPTIONS

Standard Options

Stringerless

4mm Poplar Ply

6.5mm Poplar Ply

Basswood

1/8" Bass

3/16" Bass

1/4" Bass

3/8" Bass

1/2" Bass

3/4" Bass

1/4" Bass T-Band

3/8" Bass T-Band

1/2" Bass T-Band

Cedar

Cedar 1/16"

Cedar 1/8"

Bamboo

1/8" Bamboo

1/4" Bamboo

Appelcore

1 Ply Appelcore Natural

1 Ply Appelcore 1 Color

2 Ply Appelcore Natural

2 Ply Appelcore 1 Color

3 Ply Appelcore 1/8" nat./nat./nat.

3 Ply Appelcore 1 Color

3 Ply Appelcore Color-nat./brown/nat

3 Ply Appelcore Color-nat./blk/nat.

3 Ply Appelcore Color-nat./green/nat.

3 Ply Appelcore 2 Color

3 Ply Appelcore Color-red./nat./red

3 Ply Appelcore Color-green/nat./green

3 Ply Appelcore Color-blk./nat./blk.

4 Ply Appelcore -nat/nat/nat/nat

5 Ply Appelcore- nat/sum/nat/sum/nat

5 ply nat./sum/brn/sun/nat.

5 ply nat./sum/brn/sun/nat.

5 ply nat./sum/brn/sun/nat.

HD Stringers

Polyurethane up to 1" (Red, Blue, Grey)

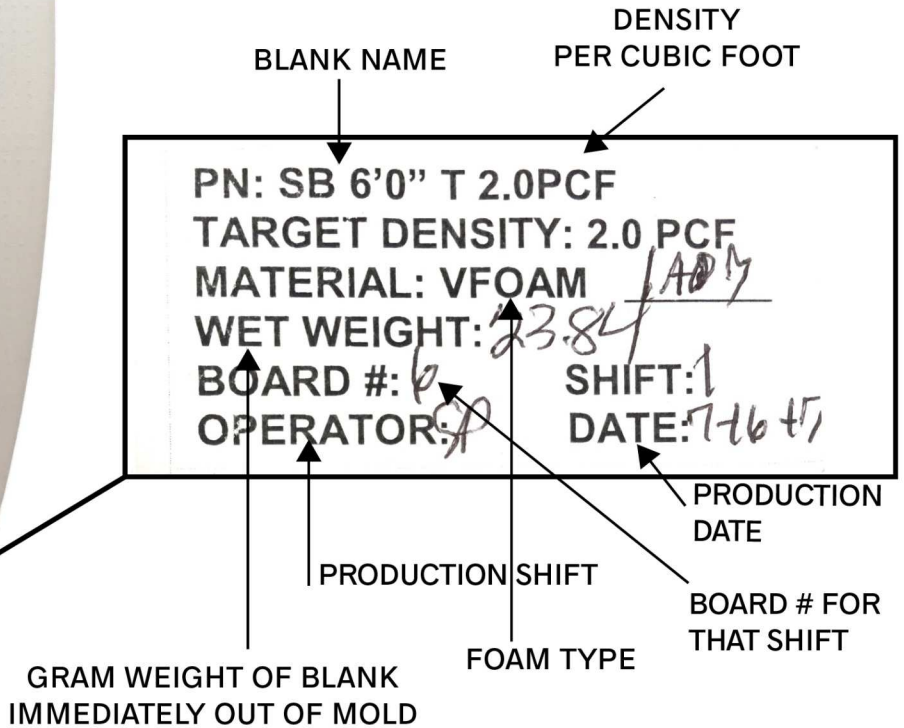
6lb 3/4" L-Foam - Olive

XPS

2.3lb XPS up to 3" - Light Blue

BLANK CATALOG

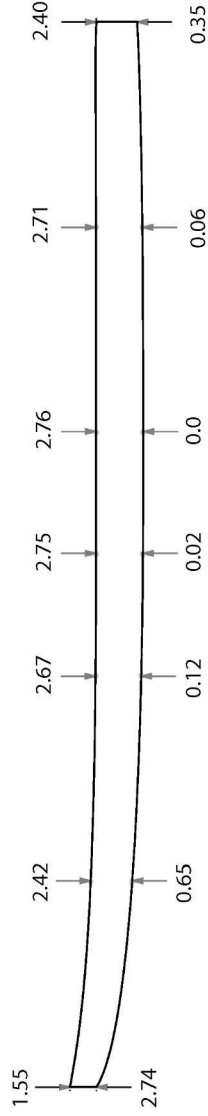
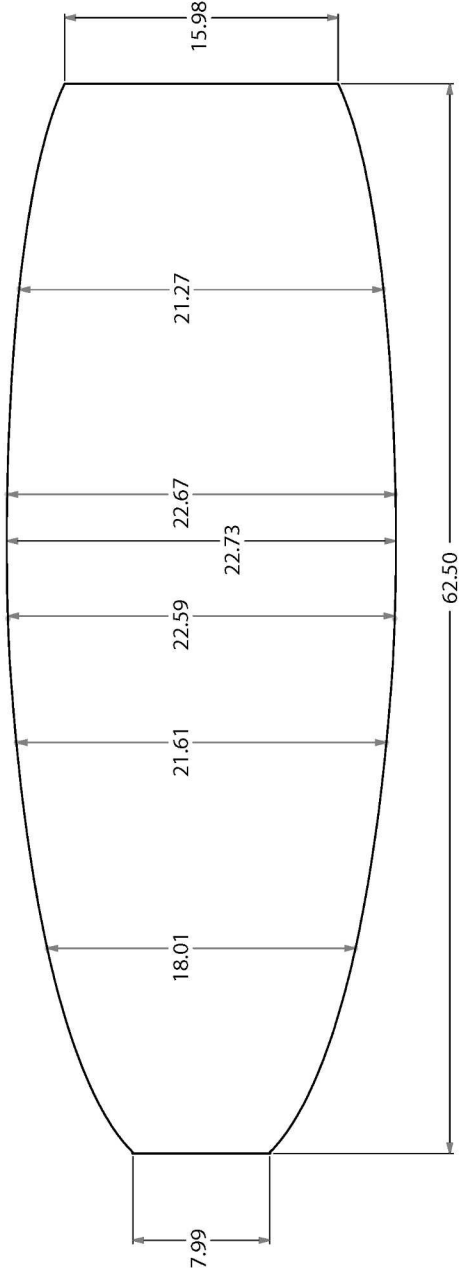
HOW TO READ OUR BLANKS





WAKESURF REGULAR

PRESSURE MOLDED EPS BLANKS



AVAILABLE DENSITIES:
*refer to density chart
STOCK STRINGER:
4mm poplar ply

BLANK DESCRIPTION
No waves, no problem! With help from customers and riders alike we have designed the perfect blank specifically made for the wakesurf world. From the Ocean to the Lake this Wakesurf blank has all you need to make yourself a killer custom wakesurf board.

THIS INFORMATION IN THIS DRAWING IS THE SOLE PROPERTY OF marko foam ANY REPRODUCTION IN PART OR AS A WHOLE WITHOUT THE WRITTEN PERMISSION OF marko foam IS PROHIBITED

100% RECYCLABLE

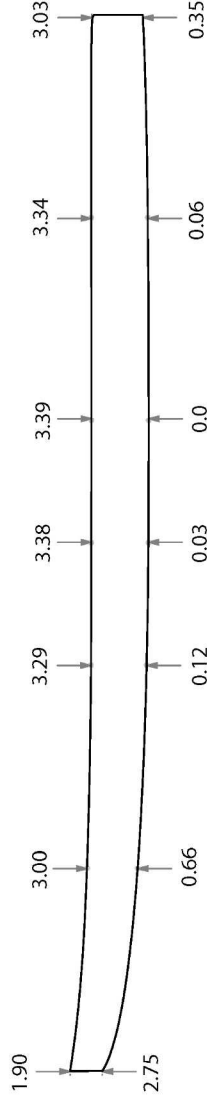
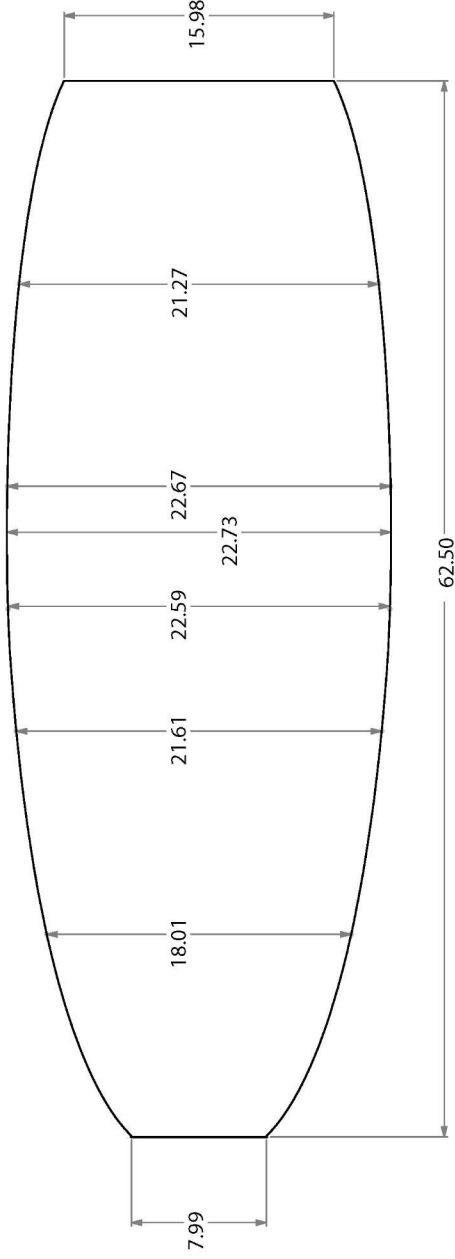
TITLE:	Wakesurf Regular
SHAPER:	Marko Foam

Updated 5-11-16



WAKESURF THICK

PRESSURE MOLDED EPS BLANKS



AVAILABLE DENSITIES:
*refer to density chart
STOCK STRINGER:
4mm poplar ply

BLANK DESCRIPTION
No waves, no problem! With help from customers and riders alike we have designed the perfect blank specifically made for the wakesurf world. From the Ocean to the Lake this Wakesurf blank has all you need to make yourself a killer custom wakesurf board.

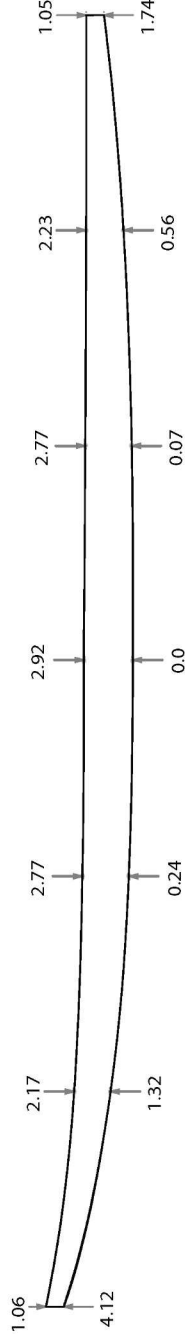
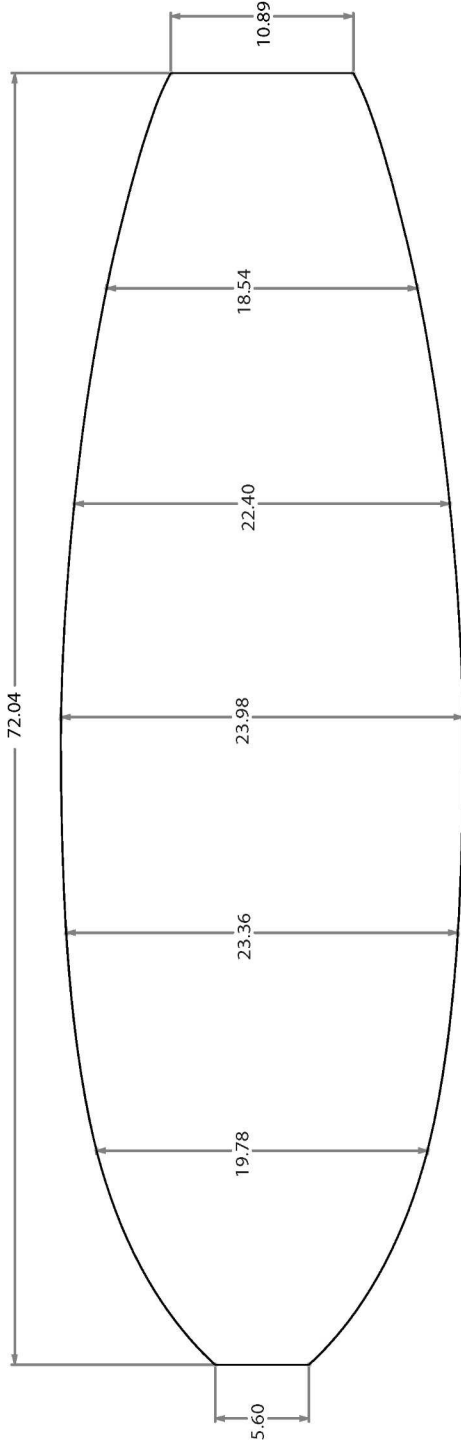
THIS INFORMATION IN THIS DRAWING IS THE SOLE PROPERTY OF marko foam ANY REPRODUCTION IN PART OR AS A WHOLE WITHOUT THE WRITTEN PERMISSION OF marko foam IS PROHIBITED

100% RECYCLABLE	
TITLE: Wakesurf Thick	SHAPER: Marko Foam



6'0" M-REGULAR

PRESSURE MOLDED EPS BLANKS



AVAILABLE DENSITIES:
*refer to density chart

STOCK STRINGER:
4mm poplar ply

BLANK DESCRIPTION
"From your cruiser fish to your groveling performance short board the 6'0" m regular can do it all. This new simplified molded blank, is perfect for almost all boards. The flat wide deck and bottom, square rails, and relaxed rocker caters to a wide variety of boards making it a go to blank for the CNC Machine and Shapers alike. This blank is available stringerless or with our variety of stock stringers."

THIS INFORMATION IN THIS DRAWING IS THE SOLE PROPERTY OF marko foam ANY REPRODUCTION IN PART OR AS A WHOLE WITHOUT THE WRITTEN PERMISSION OF marko foam IS PROHIBITED

100% RECYCLABLE

TITLE: 6'0" M Regular

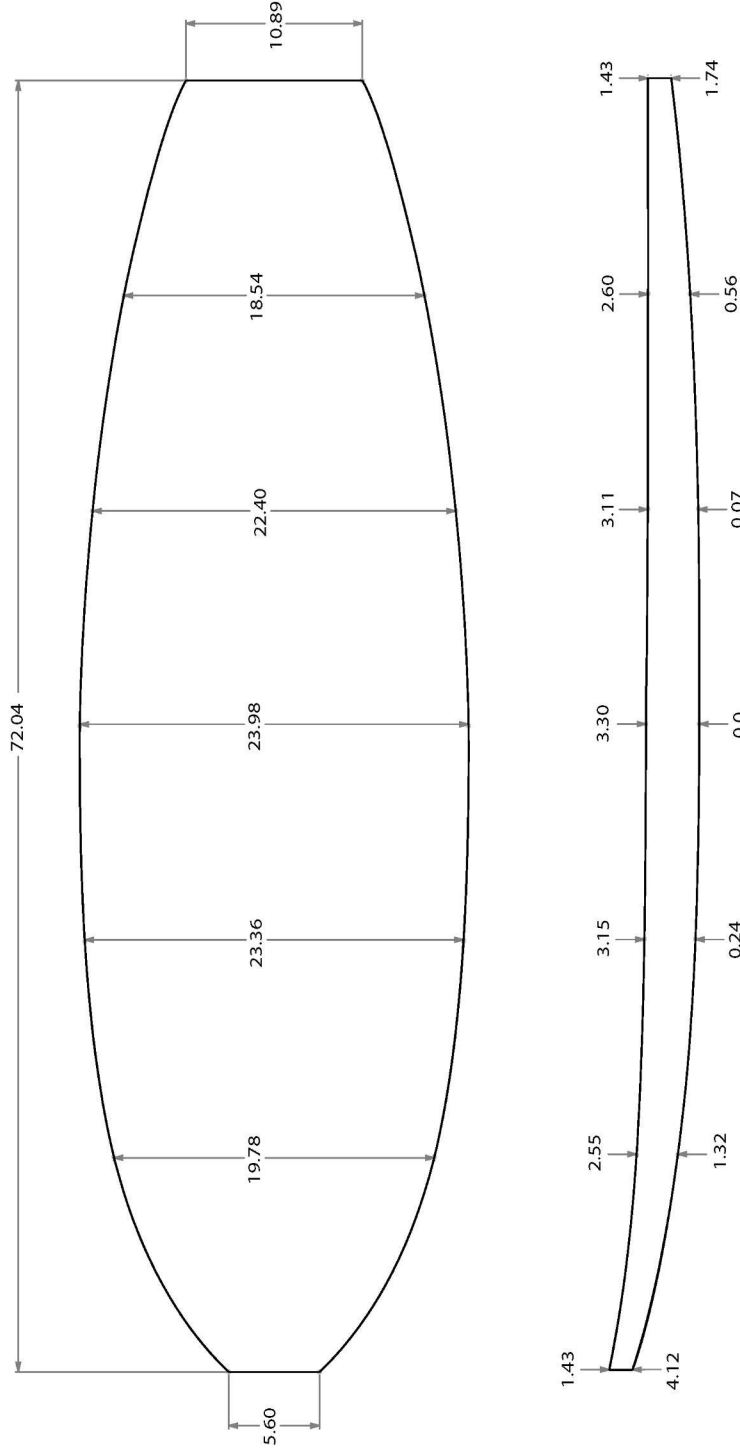
SHAPER: Marko Foam

Updated 5-11-16



6'0" M-THICK

PRESSURE MOLDED EPS BLANKS



AVAILABLE DENSITIES:
*refer to density chart

STOCK STRINGER:
4mm poplar ply

Updated 5-11-16

BLANK DESCRIPTION

"From your cruiser fish to your groveling performance short board the 6'0" m thick can do it all. 'is new simplified molded blank, is perfect for almost all boards. The wide deck and bottom, square rails, and relaxed rocker caters to a wide variety of boards making it go to blank for the CNC Machine and Shapers alike. 'is blanks available stringerless or with our variety of stock stringers."

THIS INFORMATION IN THIS DRAWING IS THE SOLE PROPERTY OF marko foam ANY REPRODUCTION IN PART OR AS A WHOLE WITHOUT THE WRITTEN PERMISSION OF marko foam IS PROHIBITED

100% RECYCLABLE

TITLE:

SHAPER:

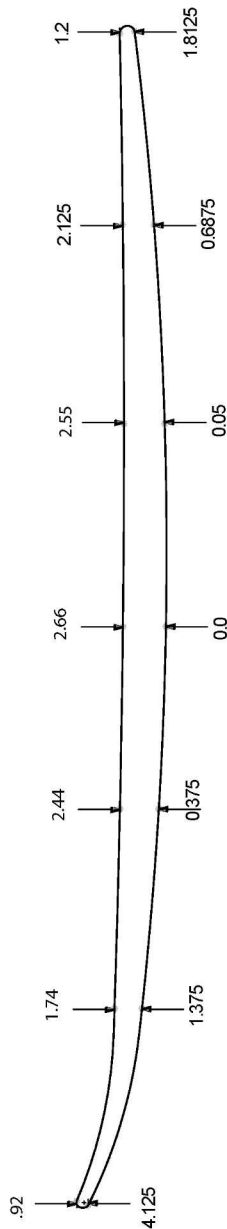
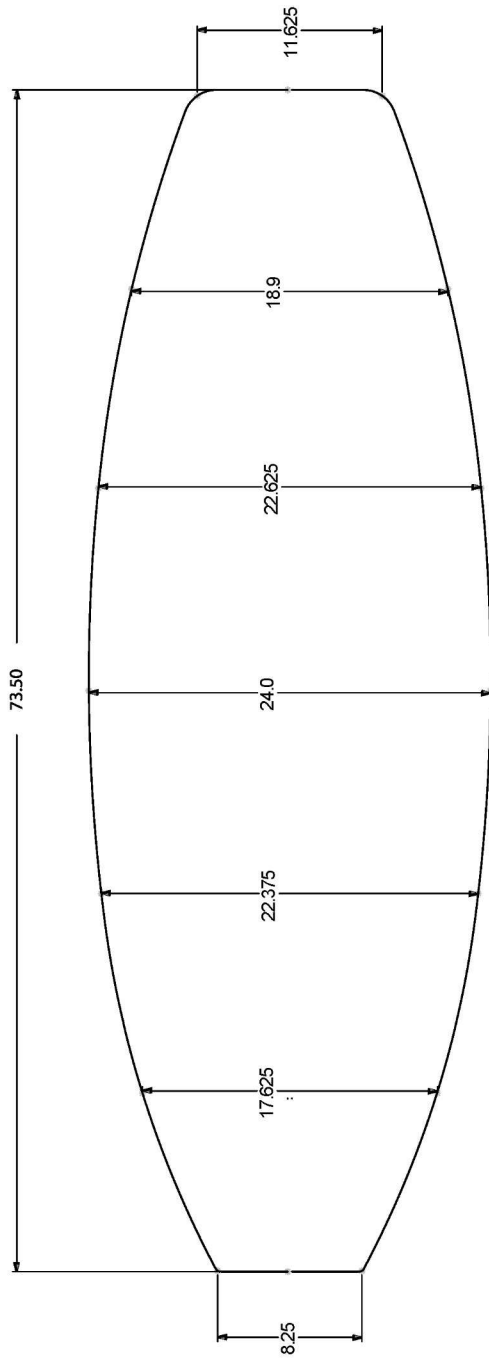
6'0" M Thick

Marko Foam



6'1" PESCADO

PRESSURE MOLDED EPS BLANKS



AVAILABLE DENSITIES:

*refer to density chart

STOCK STRINGER:

4mm poplar ply
Not Available in a Stringerless Blank

Updated 5-11-16

BLANK DESCRIPTION

Hybrid fish style blank with plenty of width throughout.
Good for hand shaping or tight tolerance machining.

THIS INFORMATION IN THIS DRAWING IS THE SOLE PROPERTY OF marko foam
ANY REPRODUCTION IN PART OR AS A WHOLE WITHOUT THE WRITTEN PERMISSION OF marko foam IS PROHIBITED

100% RECYCLABLE

TITLE:

SHAPER:

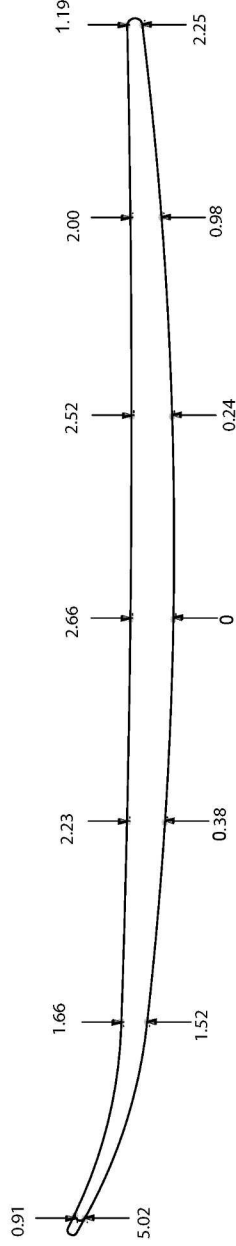
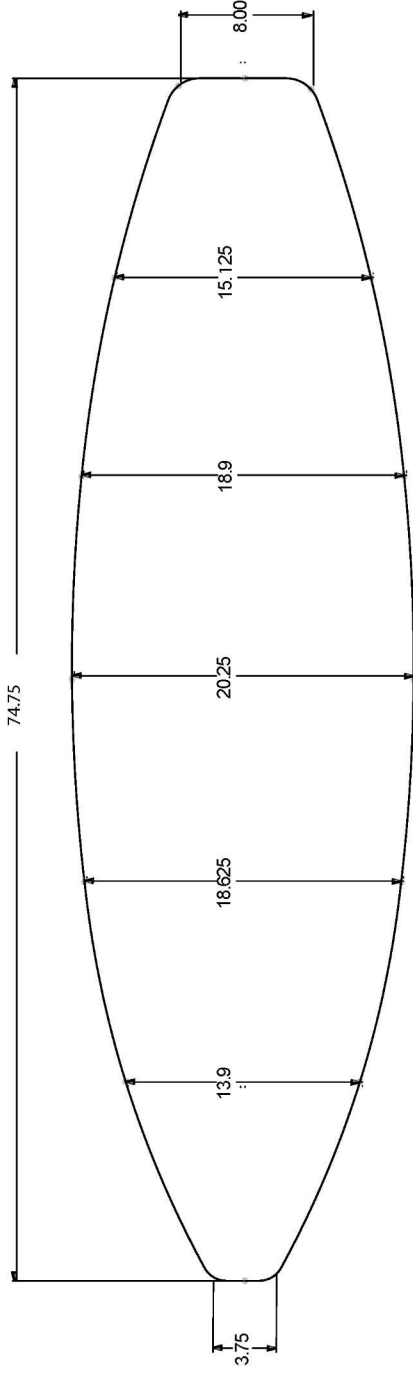
6'1" PESCADO

Marko Foam



6'2" H-NEW

PRESSURE MOLDED EPS BLANKS



AVAILABLE DENSITIES:
*refer to density chart

STOCK STRINGER:
4mm poplar ply

BLANK DESCRIPTION

Standard short board blank made for hand shaping or tight tolerance machining.

THIS INFORMATION IN THIS DRAWING IS THE SOLE PROPERTY OF marko foam ANY REPRODUCTION IN PART OR AS A WHOLE WITHOUT THE WRITTEN PERMISSION OF marko foam IS PROHIBITED

100% RECYCLABLE

TITLE:

SHAPER:

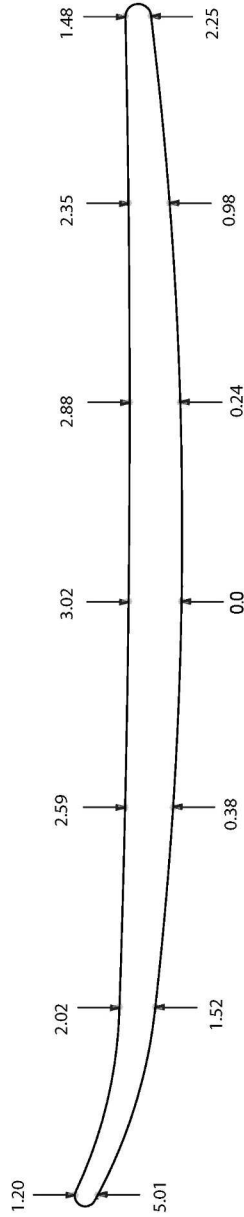
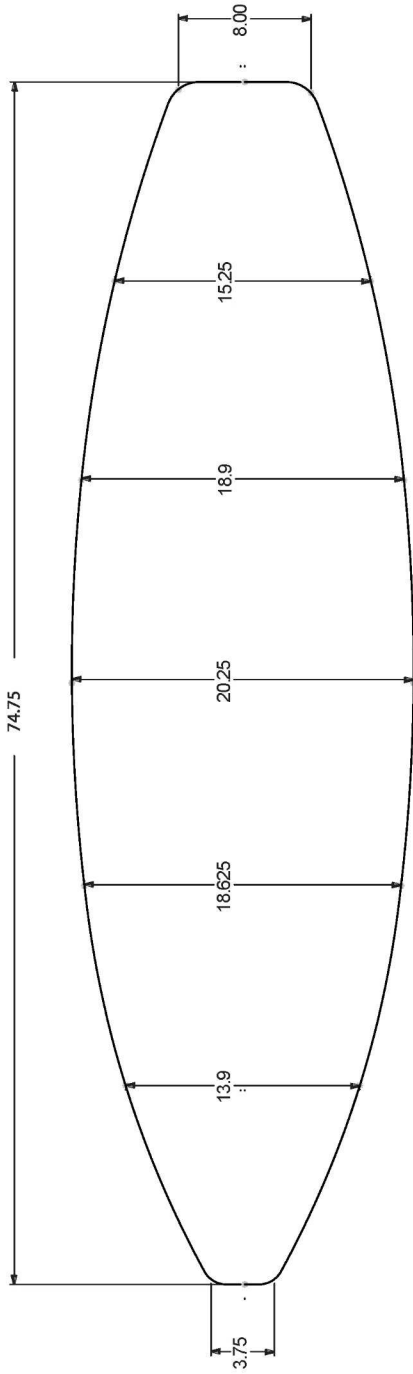
6'2" H-NEW

Marko Foam



6'2" THICK

PRESSURE MOLDED EPS BLANKS



AVAILABLE DENSITIES:

*refer to density chart

STOCK STRINGER:

4mm poplar ply

BLANK DESCRIPTION

This blank is designed for machine shaping and has extra material in the nose area for thicker models.

THIS INFORMATION IN THIS DRAWING IS THE SOLE PROPERTY OF marko foam ANY REPRODUCTION IN PART OR AS A WHOLE WITHOUT THE WRITTEN PERMISSION OF marko foam IS PROHIBITED

100% RECYCLABLE

TITLE:

SHAPER:

6'2" THICK

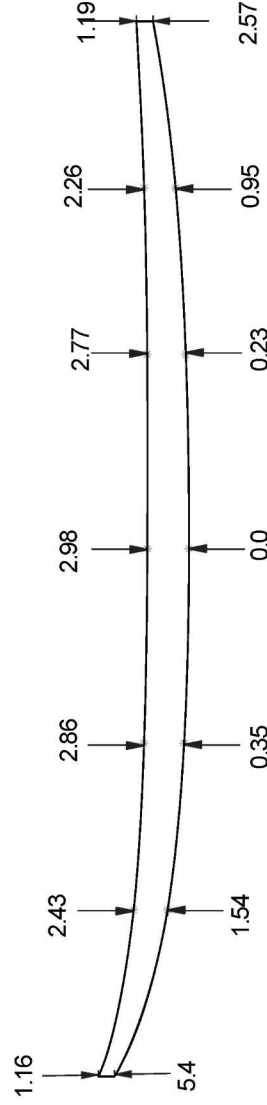
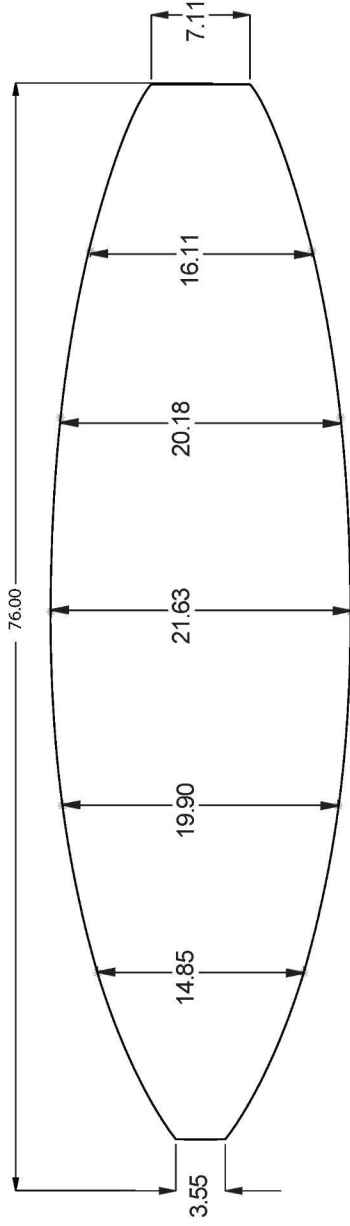
Marko Foam

Updated 5-11-16



6'4" TP

PRESSURE MOLDED EPS BLANKS



AVAILABLE DENSITIES:
*refer to density chart

STOCK STRINGER:
4mm poplar ply

BLANK DESCRIPTION
This blank is made for hand or machine shaping. Great all purpose "go to" blank.

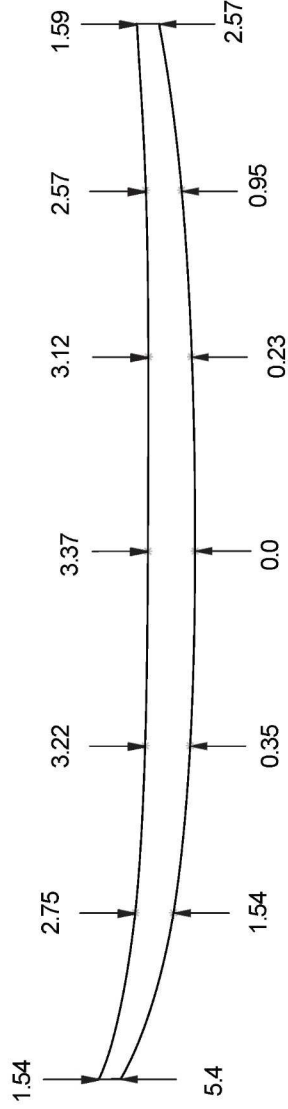
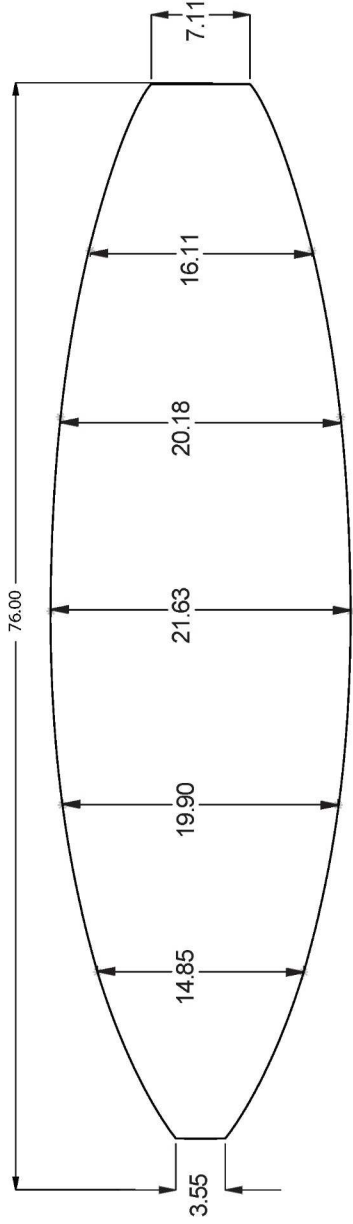
THIS INFORMATION IN THIS DRAWING IS THE SOLE PROPERTY OF marko foam ANY REPRODUCTION IN PART OR AS A WHOLE WITHOUT THE WRITTEN PERMISSION OF marko foam IS PROHIBITED

100% RECYCLABLE	
TITLE:	SHAPER:
6'4" TP	T. PATTERSON



6'4" THICK

PRESSURE MOLDED EPS BLANKS



AVAILABLE DENSITIES:

*refer to density chart

STOCK STRINGER:

4mm poplar ply

BLANK DESCRIPTION

This blank is made for hand or machine shaping. Great all purpose "go to" blank.

THIS INFORMATION IN THIS DRAWING IS THE SOLE PROPERTY OF marko foam ANY REPRODUCTION IN PART OR AS A WHOLE WITHOUT THE WRITTEN PERMISSION OF marko foam IS PROHIBITED

100% RECYCLABLE

TITLE:

SHAPER:

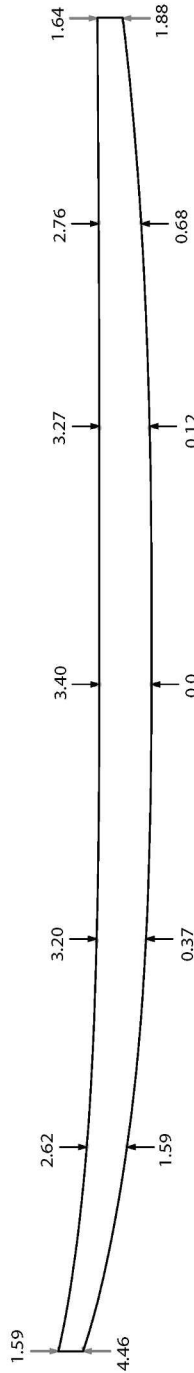
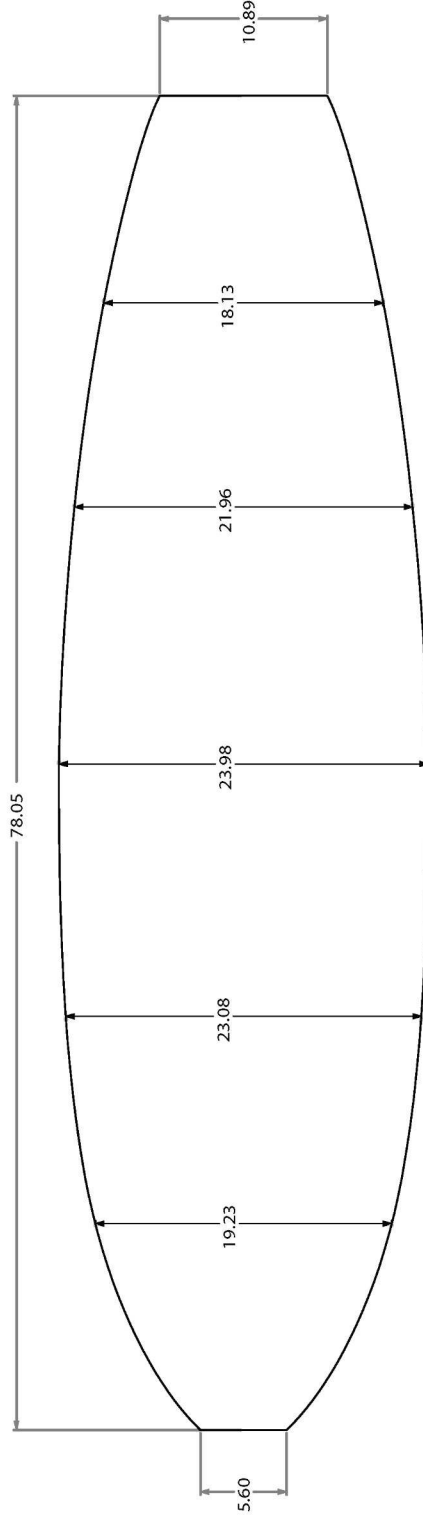
6'4" TP THICK

T. PATTERSON

Updated 5-11-16

6'6" M

PRESSURE MOLDED EPS BLANKS



AVAILABLE DENSITIES:
*refer to density chart

STOCK STRINGER:
4mm poplar ply

BLANK DESCRIPTION

"From your cruiser fish to your groveling performance short board the 6'6" m can do it all. This new simplified molded blank, is perfect for almost all boards. The flat wide deck and bottom, square rails, and relaxed rocker caters to a wide variety of boards making it a blank for the CNC Machine and Shapers alike. This blank is available stringerless or with our variety of stock stringers."

THIS INFORMATION IN THIS DRAWING IS THE SOLE PROPERTY OF marko foam ANY REPRODUCTION IN PART OR AS A WHOLE WITHOUT THE WRITTEN PERMISSION OF marko foam IS PROHIBITED

100% RECYCLABLE

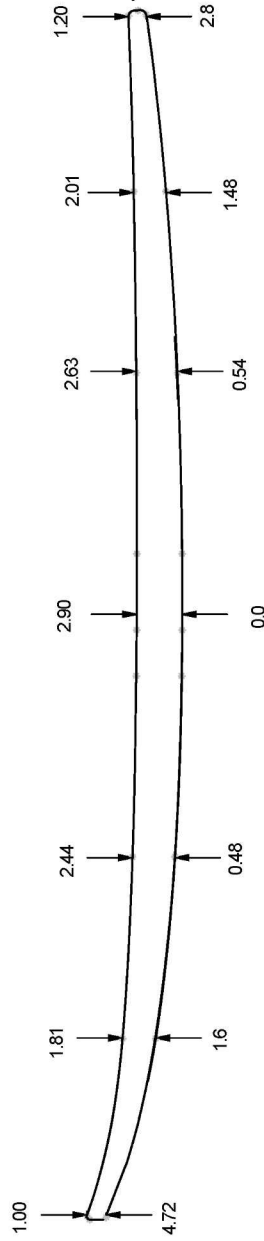
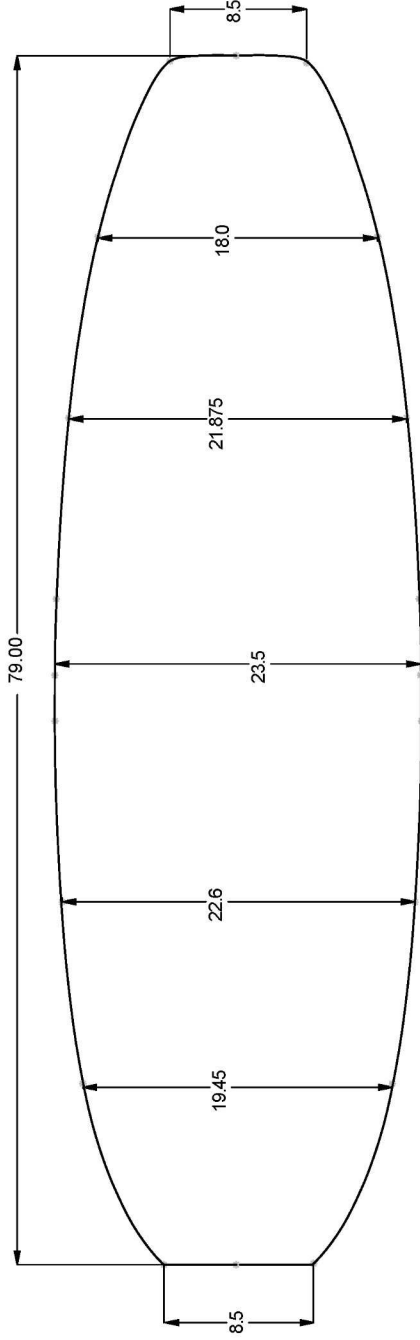
TITLE: 6'6 M

SHAPER: Marko Foam



6'6" HALIBUT

PRESSURE MOLDED EPS BLANKS



AVAILABLE DENSITIES:

*refer to density chart

STOCK STRINGER:

4mm poplar ply

Not Available in a Stringerless Blank

Updated 5-11-16

BLANK DESCRIPTION

This blank is made for hand or machine shaping. The concave in this blank is ideal for modern fish and hybrid shapes.

THIS INFORMATION IN THIS DRAWING IS THE SOLE PROPERTY OF marko foam ANY REPRODUCTION IN PART OR AS A WHOLE WITHOUT THE WRITTEN PERMISSION OF marko foam IS PROHIBITED

100% RECYCLABLE

TITLE:

6'6" HALIBUT

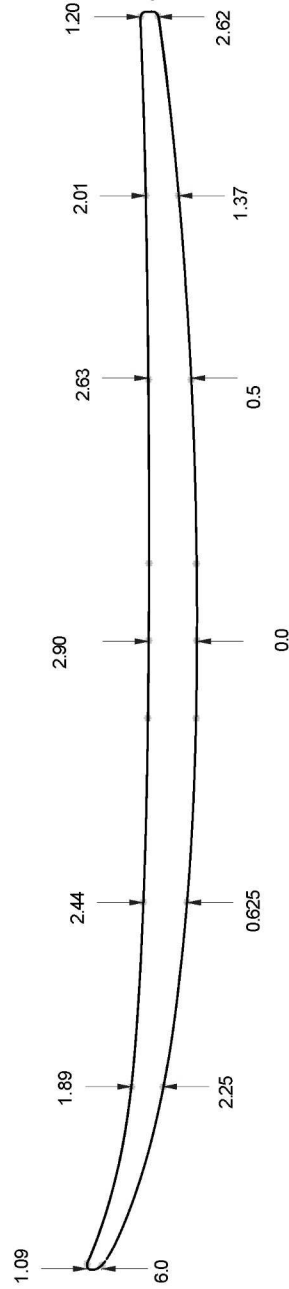
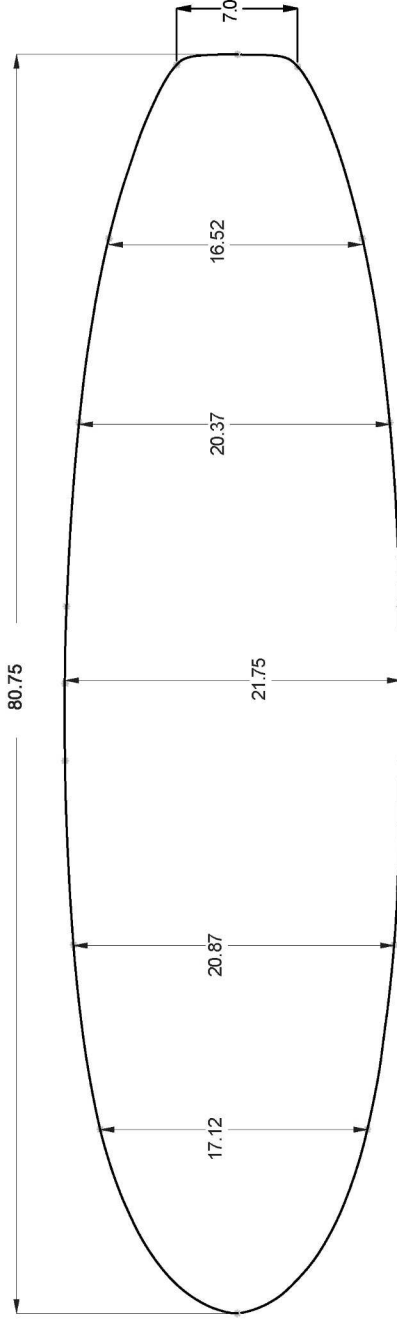
SHAPER:

Marko Foam



6'8" JJ

PRESSURE MOLDED EPS BLANKS



AVAILABLE DENSITIES:

*refer to density chart

STOCK STRINGER:

4mm poplar ply

BLANK DESCRIPTION

All around short board blank made to maximize machine efficiency. This blank has slight concave and the bottom stringer line measures 6'9". Ideal for all kinds of short boards and hybrid shapes.

THIS INFORMATION IN THIS DRAWING IS THE SOLE PROPERTY OF marko foam ANY REPRODUCTION IN PART OR AS A WHOLE WITHOUT THE WRITTEN PERMISSION OF marko foam IS PROHIBITED

100% RECYCLABLE

TITLE:

6'8" JJ

SHAPER:

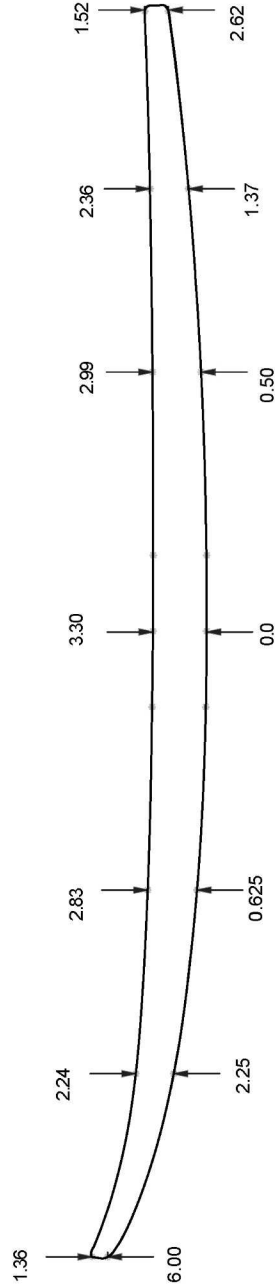
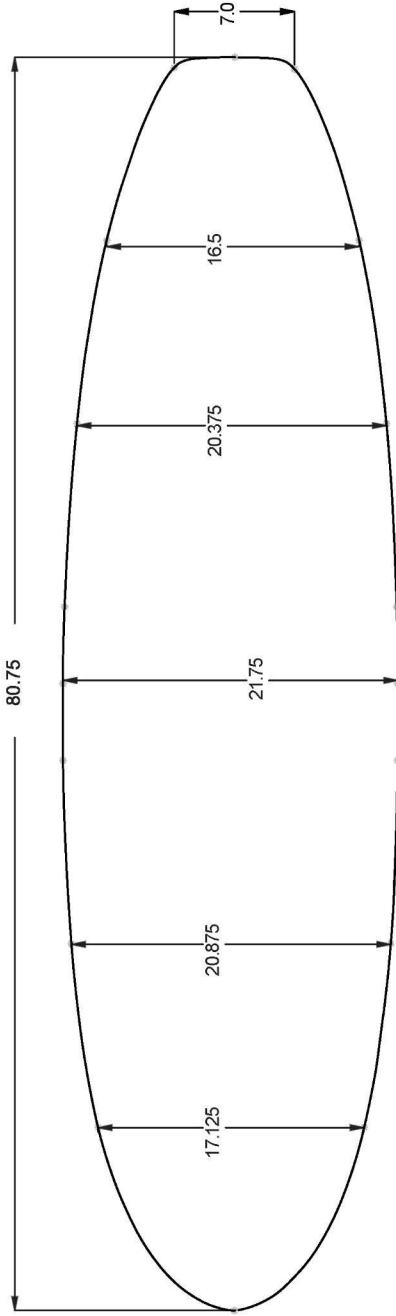
JEFF JOHNSTON

Updated 5-11-16



6'8" THICK

PRESSURE MOLDED EPS BLANKS



AVAILABLE DENSITIES:

*refer to density chart

STOCK STRINGER:

4mm poplar ply

BLANK DESCRIPTION

This blank is designed for machine shaping. There is about 0.125 concave for maximum cutting ability. Ideal for short boards, big guy boards and fishes. Should be able to cut just about any short board model.

THIS INFORMATION IN THIS DRAWING IS THE SOLE PROPERTY OF marko foam ANY REPRODUCTION IN PART OR AS A WHOLE WITHOUT THE WRITTEN PERMISSION OF marko foam IS PROHIBITED

100% RECYCLABLE

TITLE:

SHAPER:

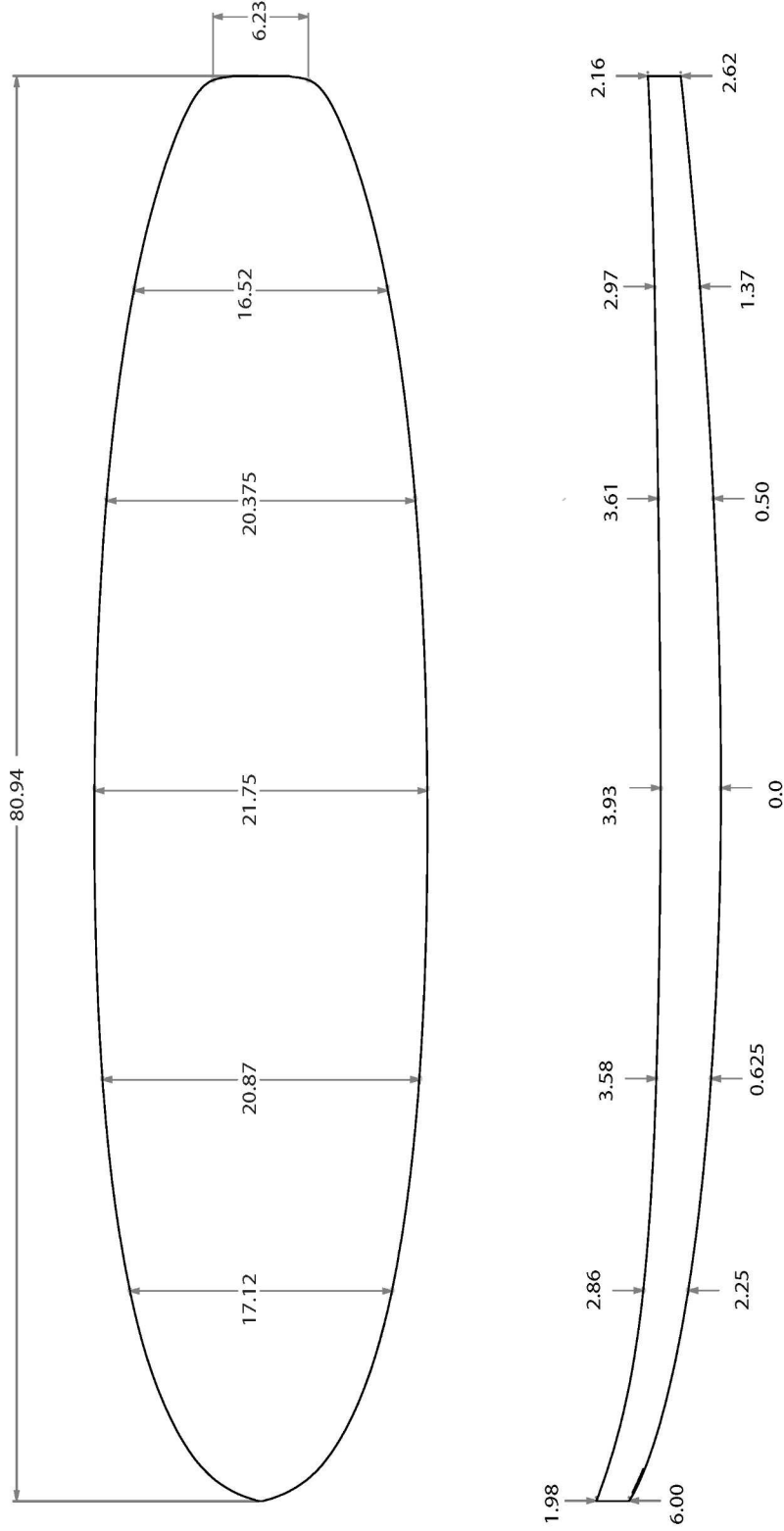
6'8" THICK

JEFF JOHNSTON

Updated 5-11-16

6'8" WHALE

PRESSURE MOLDED EPS BLANKS



AVAILABLE DENSITIES:
*refer to density chart

STOCK STRINGER:
4mm poplar ply

BLANK DESCRIPTION
This blank brings together everything you need to make a bigger, better and floatier high performance board. With a good amount of nose rocker and plenty of thickness throughout

THIS INFORMATION IN THIS DRAWING IS THE SOLE PROPERTY OF marko foam ANY REPRODUCTION IN PART OR AS A WHOLE WITHOUT THE WRITTEN PERMISSION OF marko foam IS PROHIBITED

100% RECYCLABLE

TITLE:

6'8" Whale

SHAPER:

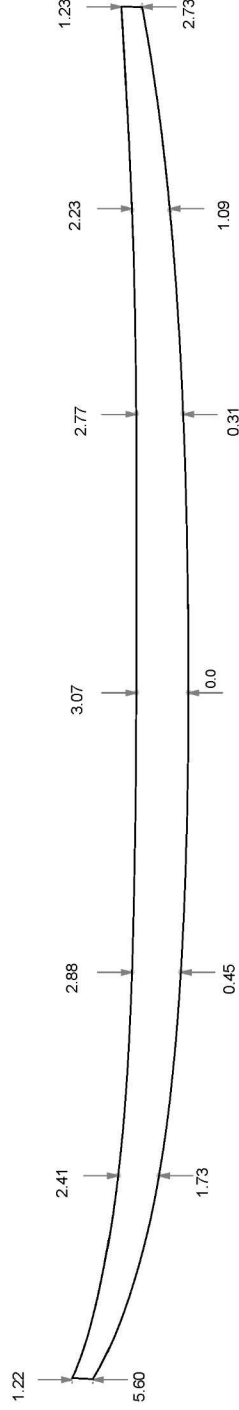
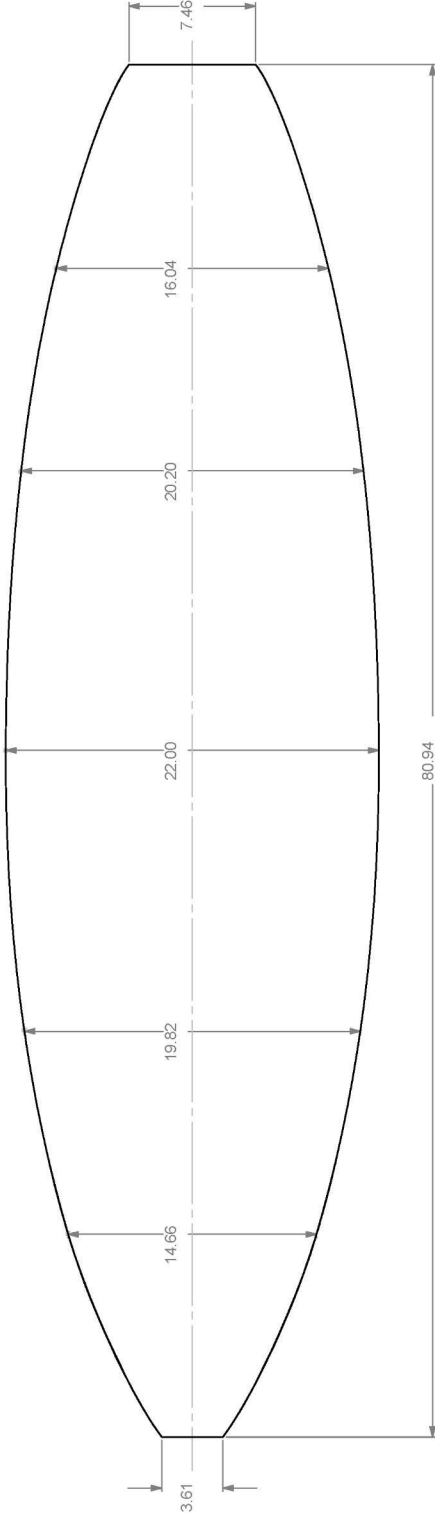
Marko Foam

Updated 5-11-16



6' 9" REGULAR

PRESSURE MOLDED EPS BLANKS

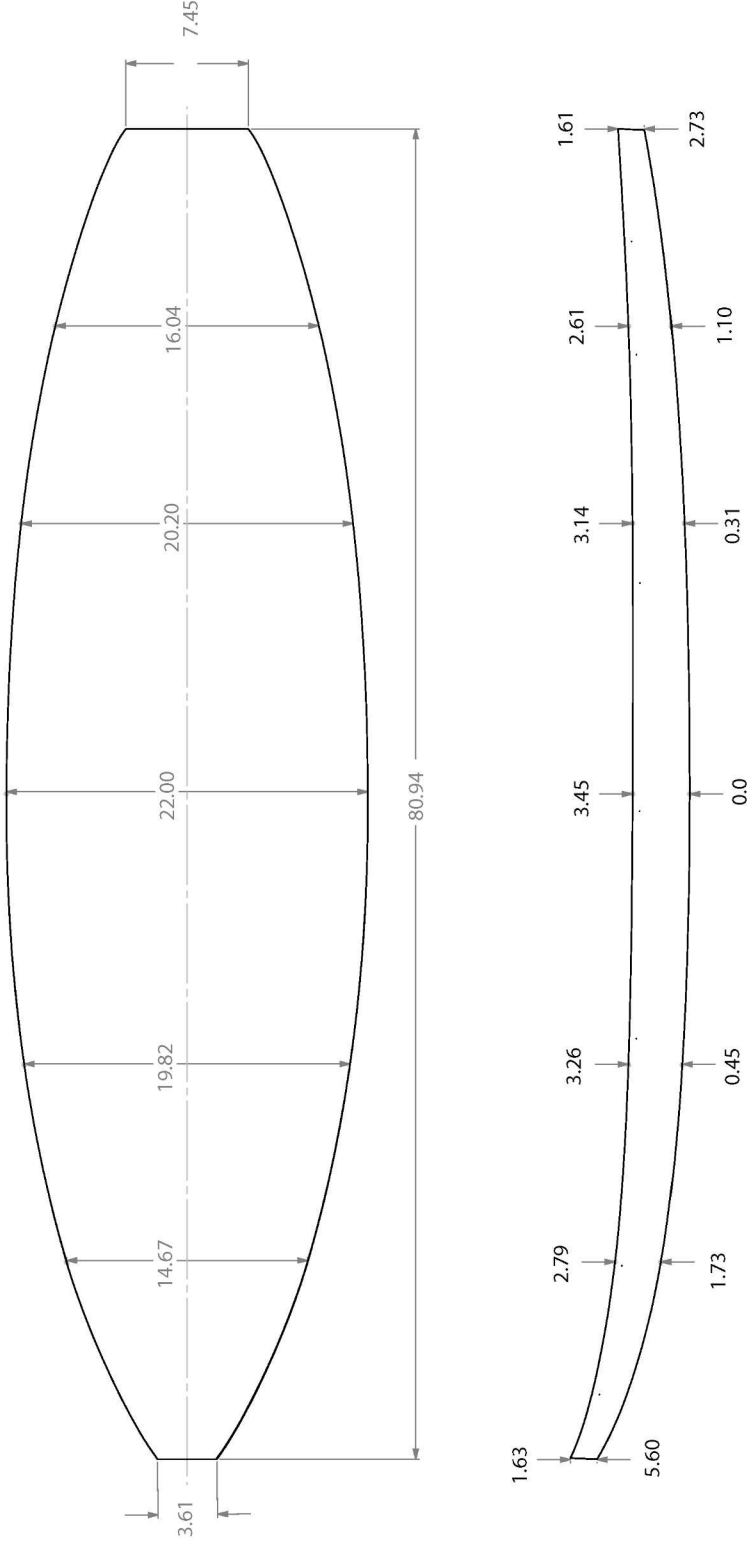


<p>STRINGER OPTIONS: REFER TO STRINGER LIST</p> <p>DENSITY OPTIONS: REFER TO DENSITY CHART</p>	<p>BLANK DESCRIPTION If you're looking to make a step-up for larger surf or a bigger high performance surfboard, this blank has what you need. With its high-performance rocker and a wide variety of available thicknesses, it's a perfect blank for both hand and machine shaping. The square rails and flat deck give you all the control in what masterpiece this blank will yield.</p>	<p>THIS INFORMATION IN THIS DRAWING IS THE SOLE PROPERTY OF MARKO FOAM ANY REPRODUCTION IN PART OR AS A WHOLE WITHOUT THE WRITTEN PERMISSION OF MARKO FOAM IS PROHIBITED</p>	<p>100% RECYCLABLE</p>	<p>TITLE: 6'9" REG</p> <p>SHAPER: MARKO FOAM</p>
--	--	--	-------------------------------	--



6' 9" THICK

PRESSURE MOLDED EPS BLANKS

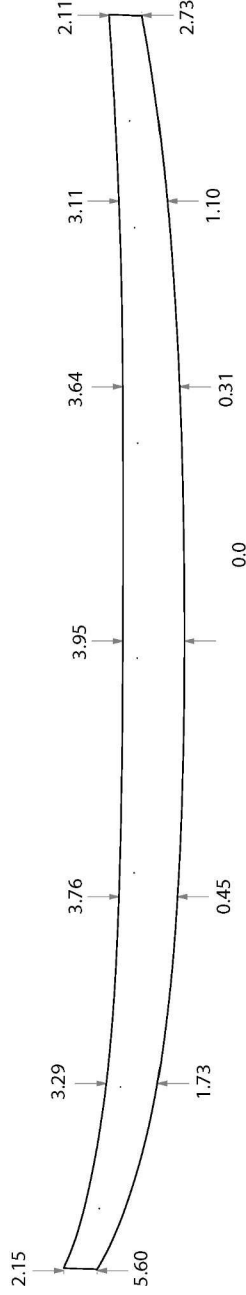
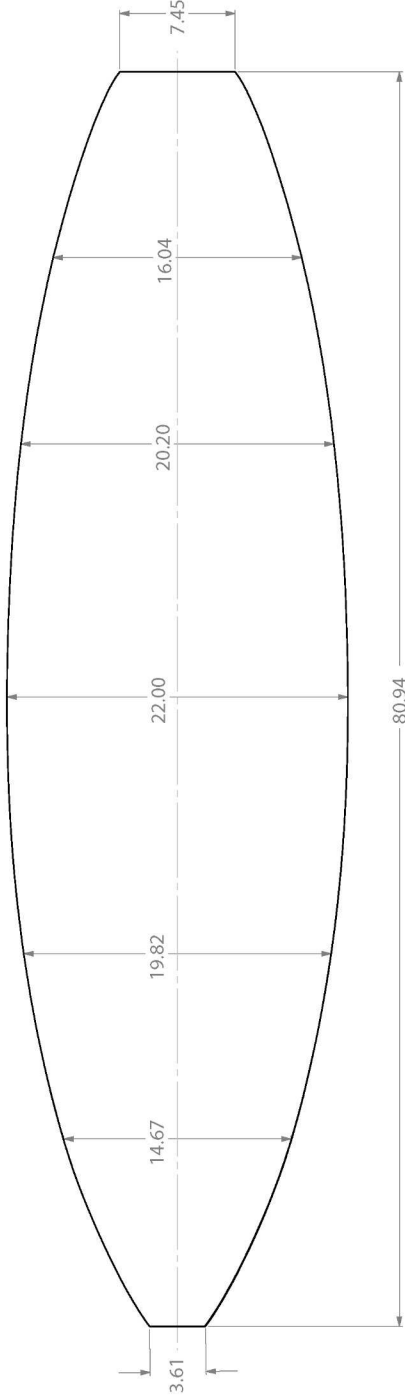


<p>STRINGER OPTIONS: REFER TO STRINGER PAGE</p> <p>DENSITY OPTIONS: REFER TO DENSITY CHART</p>	<p>BLANK DESCRIPTION If you're looking to make a step-up for larger surf or a bigger high performance surfboard, this blank has what you need. With its high-performance rocker and a wide variety of available thicknesses, it's a perfect blank for both hand and machine shaping. The square rails and flat deck give you all the control in what masterpiece this blank will yield.</p>	<p>THIS INFORMATION IN THIS DRAWING IS THE SOLE PROPERTY OF MARKO FOAM ANY REPRODUCTION IN PART OR AS A WHOLE WITHOUT THE WRITTEN PERMISSION OF MARKO FOAM IS PROHIBITED</p>	<p>100% RECYCLABLE</p> <p>TITLE: SHAPER: MARKO FOAM</p> <p>6' 9" THICK MARKO FOAM</p>
--	--	--	--



6' 9" WHALE

PRESSURE MOLDED EPS BLANKS

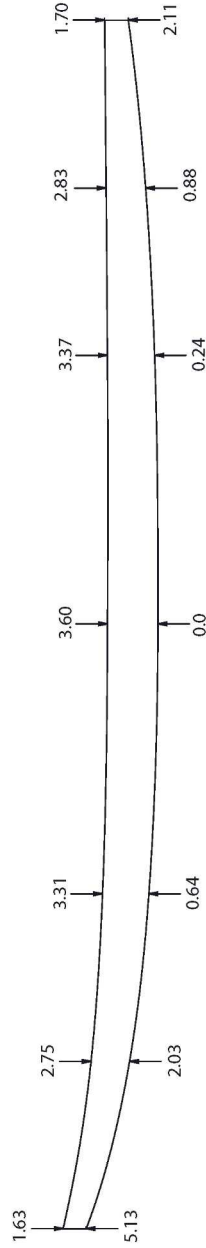
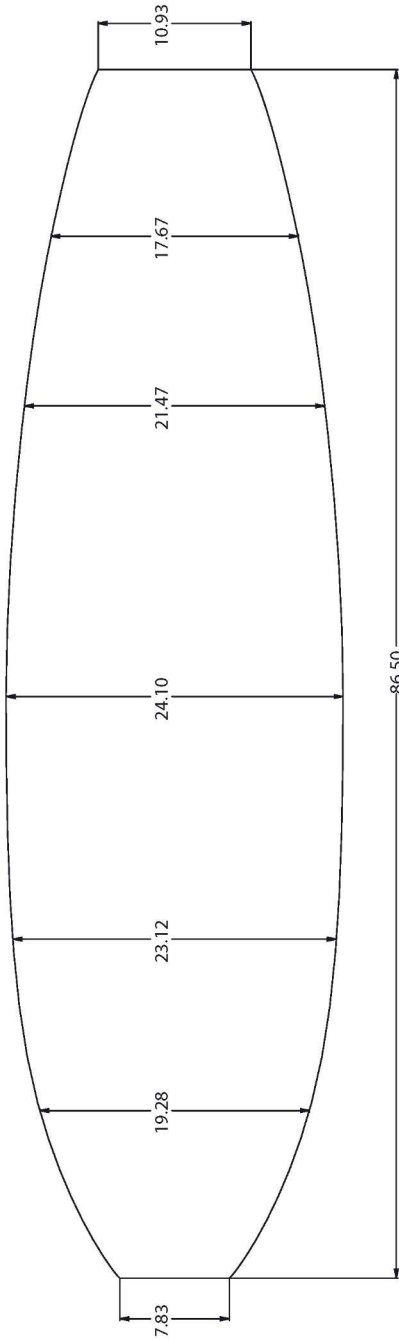


<p>STRINGER OPTIONS: REFER TO STRINGER PAGE</p> <p>DENSITY OPTIONS: REFER TO DENSITY CHART</p>	<p>BLANK DESCRIPTION</p> <p>If you're looking to make a step-up for larger surf or a bigger high performance surfboard, this blank has what you need. With its high-performance rocker and a wide variety of available thicknesses, it's a perfect blank for both hand and machine shaping. The square rails and flat deck give you all the control in what masterpiece this blank will yield.</p>	<p>THIS INFORMATION IN THIS DRAWING IS THE SOLE PROPERTY OF MARKO FOAM ANY REPRODUCTION IN PART OR AS A WHOLE WITHOUT THE WRITTEN PERMISSION OF MARKO FOAM IS PROHIBITED</p>	<p>100% RECYCLABLE</p> <table border="1"> <tr> <td>TITLE:</td> <td>SHAPER:</td> </tr> <tr> <td>6' 9" WHALE</td> <td>MARKO FOAM</td> </tr> </table>	TITLE:	SHAPER:	6' 9" WHALE	MARKO FOAM
TITLE:	SHAPER:						
6' 9" WHALE	MARKO FOAM						



7'2" M REGULAR

PRESSURE MOLDED EPS BLANKS



AVAILABLE DENSITIES:

*refer to density chart

STOCK STRINGER:

4mm poplar ply

BLANK DESCRIPTION

The 7'2" M Regular can do it all. The new simplified molded blank is perfect for almost all boards. The wide deck and bottom, square rails and relaxed rocker caters to a wide variety of boards making it a go to blank for CNC machines and hand shapers alike. This blank is available stringer-less.

THIS INFORMATION IN THIS DRAWING IS THE SOLE PROPERTY OF marko foam ANY REPRODUCTION IN PART OR AS A WHOLE WITHOUT THE WRITTEN PERMISSION OF marko foam IS PROHIBITED

100% RECYCLABLE

TITLE:

7'2" M Regular

SHAPER:

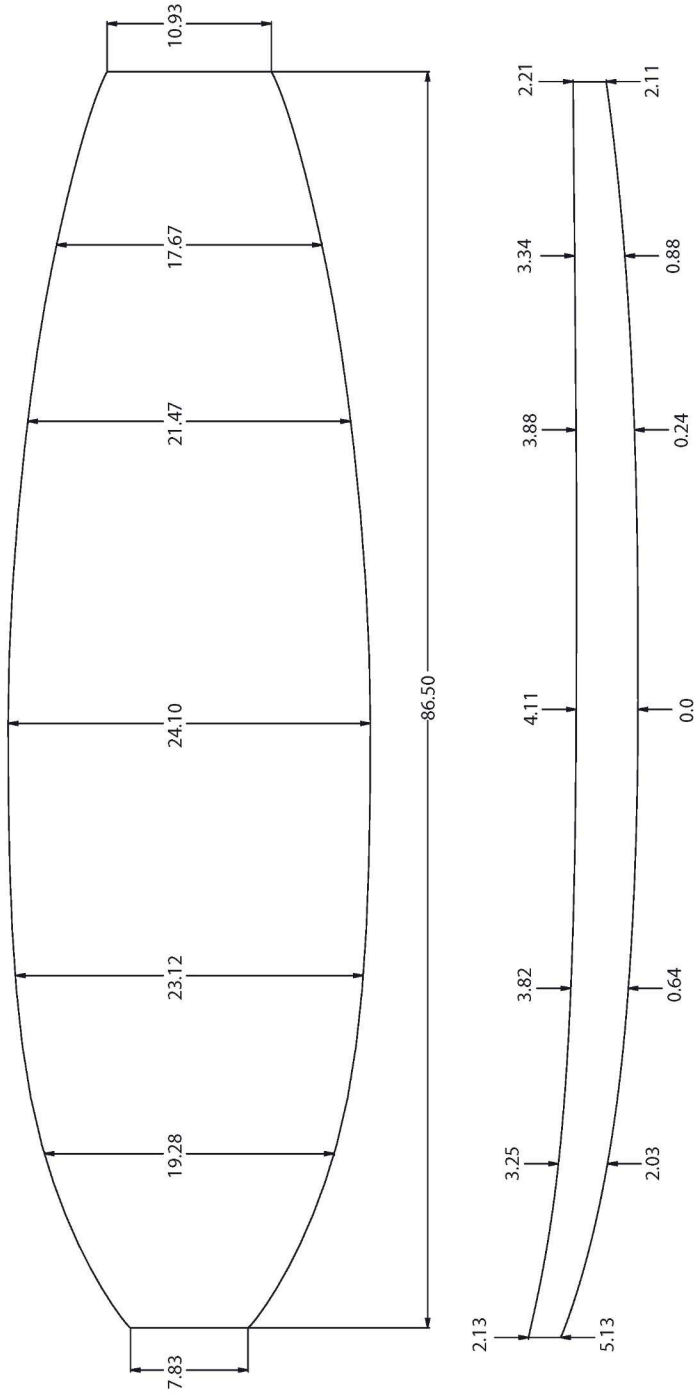
Marko Foam

Updated 5-11-16



7'2" M THICK

PRESSURE MOLDED EPS BLANKS



AVAILABLE DENSITIES:

*refer to density chart

STOCK STRINGER:

4mm poplar ply

Updated 5-11-16

BLANK DESCRIPTION:

The 7'2" M Thick can do it all. The new simplified molded blank is perfect for almost all boards. The wide deck and bottom, square rails and relaxed rocker caters to a wide variety of boards making it a go to blank for CNC machines and hand shapers alike. This blank is available stringer-less.

THIS INFORMATION IN THIS DRAWING IS THE SOLE PROPERTY OF marko foam ANY REPRODUCTION IN PART OR AS A WHOLE WITHOUT THE WRITTEN PERMISSION OF marko foam IS PROHIBITED

100% RECYCLABLE

TITLE:

SHAPER:

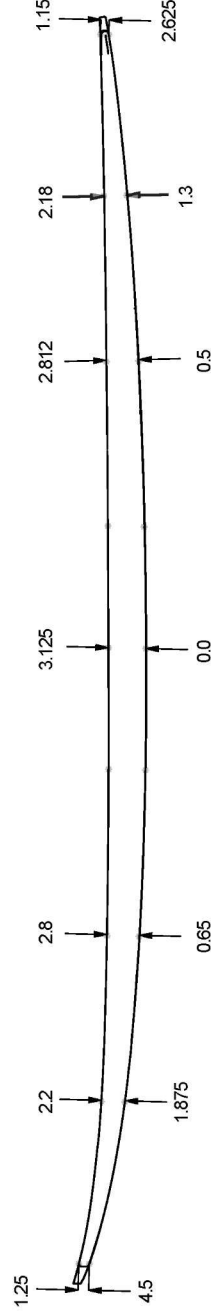
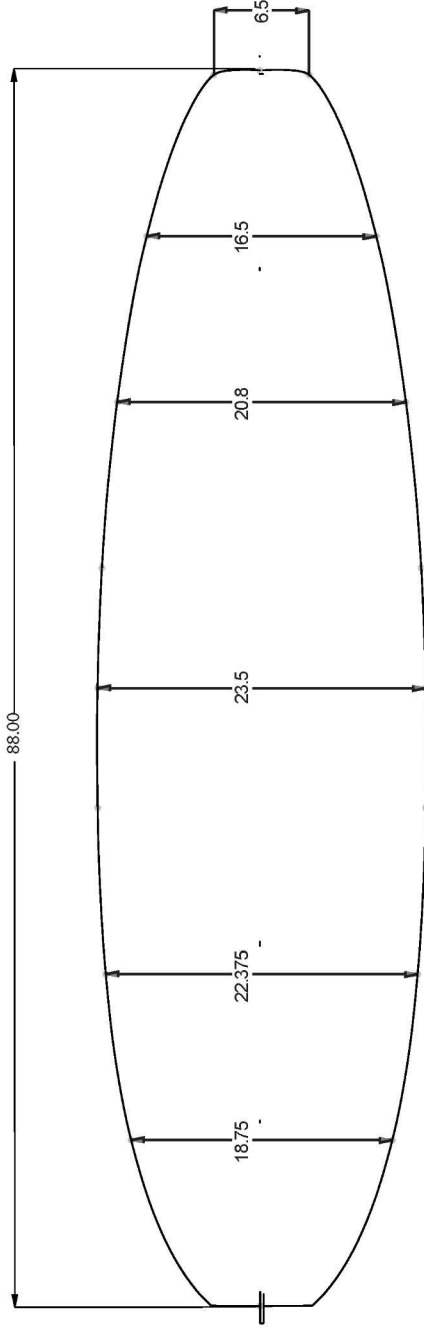
7'2" M Thick

Marko Foam



7'4" HALIBUT

PRESSURE MOLDED EPS BLANKS



AVAILABLE DENSITIES:

*refer to density chart

STOCK STRINGER:

4mm poplar ply

Not Available in a Stringerless Blank

Updated 5-11-16

BLANK DESCRIPTION

Big guy fish blank with plenty of deckroll for hand shaping or machine cuts. This blank should be able to fit most any mid size fish or big guy models.

THIS INFORMATION IN THIS DRAWING IS THE SOLE PROPERTY OF marko foam

ANY REPRODUCTION IN PART OR AS A WHOLE WITHOUT THE WRITTEN PERMISSION OF marko foam IS PROHIBITED

100% RECYCLABLE

TITLE:

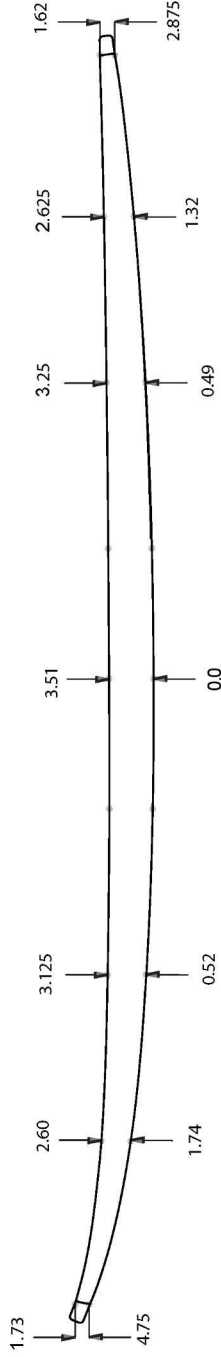
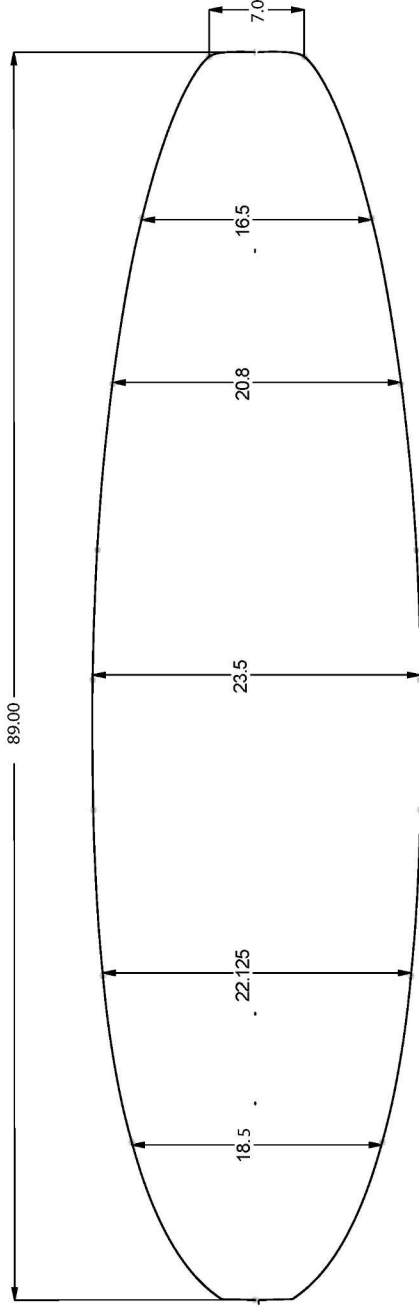
7'4" HALIBUT

SHAPER:

Marko Foam

7'5" MACHINE ALL

PRESSURE MOLDED EPS BLANKS



AVAILABLE DENSITIES:

*refer to density chart

STOCK STRINGER:

4mm poplar ply
Not Available in Stringerless Blank

Updated 5-11-16

BLANK DESCRIPTION

This blank is designed for machine shaping and capturing the Big Guy hybrid shapes. The natural rocker achieves most all needs, and can be altered to your specs.

THIS INFORMATION IN THIS DRAWING IS THE SOLE PROPERTY OF marko foam
ANY REPRODUCTION IN PART OR AS A WHOLE WITHOUT THE WRITTEN PERMISSION OF marko foam IS PROHIBITED

100% RECYCLABLE

TITLE:

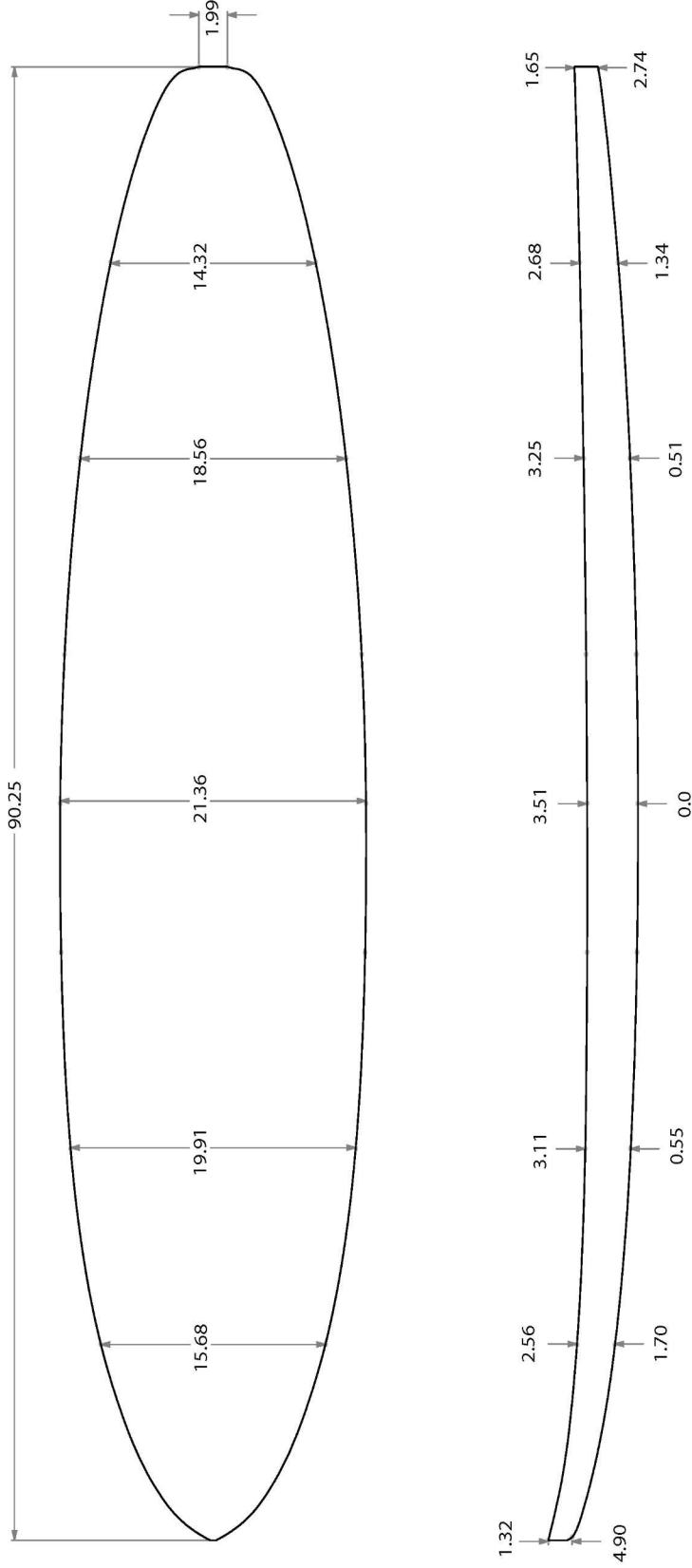
SHAPER:

7'5" MACHINE ALL

Marko Foam

7'6" THICK

PRESSURE MOLDED EPS BLANKS



AVAILABLE DENSITIES:
*refer to density chart
STOCK STRINGER:
4mm poplar ply

BLANK DESCRIPTION
This blank is very similar to the 7'6" JJ with the fun board rocker making it perfect your bigger shortboards and big hybrid shapes. It has added thickness making it perfect machine shaping and giving you a volume to work with.

THIS INFORMATION IN THIS DRAWING IS THE SOLE PROPERTY OF marko foam ANY REPRODUCTION IN PART OR AS A WHOLE WITHOUT THE WRITTEN PERMISSION OF marko foam IS PROHIBITED

100% RECYCLABLE

TITLE:

7'6" Thick

SHAPER:

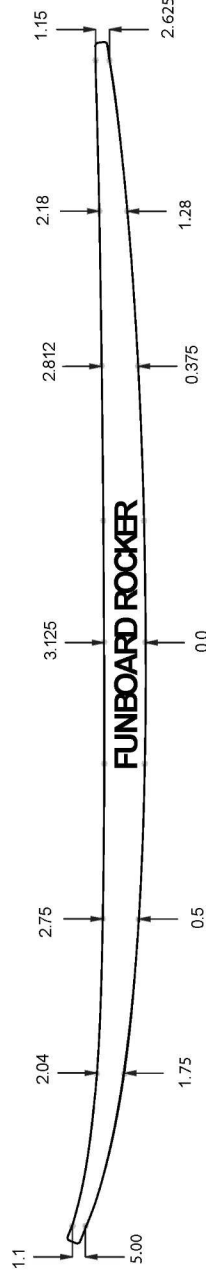
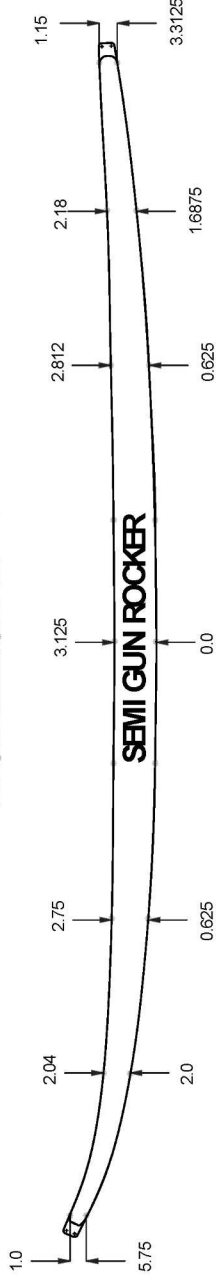
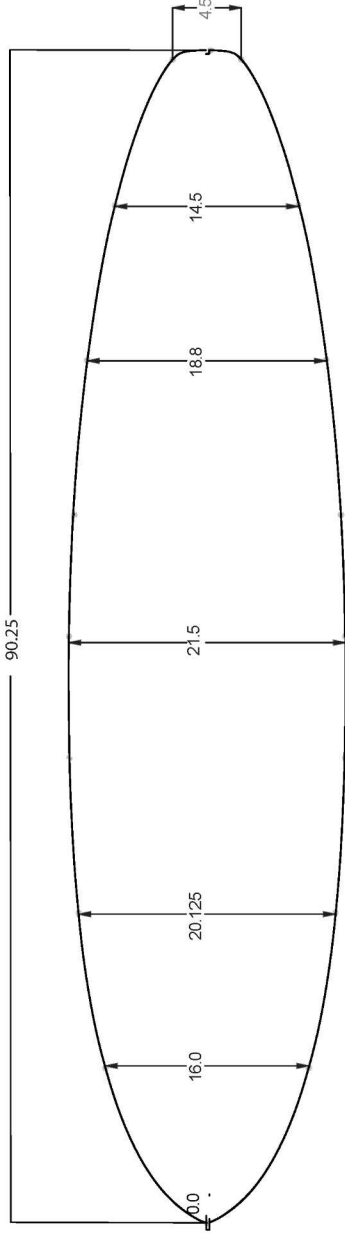
JEFF JOHNSTON

Updated 5-11-16



7'6" JJ

PRESSURE MOLDED EPS BLANKS



AVAILABLE DENSITIES:

*refer to density chart

STOCK STRINGER:

4mm poplar ply

BLANK DESCRIPTION

The ideal blank for larger short boards, mini guns and big hybrid shapes that need more rocker. Good for hand shaping and plenty of thickness throughout for machine cuts. Available in fun board and Semigun rocker.

THIS INFORMATION IN THIS DRAWING IS THE SOLE PROPERTY OF marko foam

ANY REPRODUCTION IN PART OR AS A WHOLE WITHOUT THE WRITTEN PERMISSION OF marko foam IS PROHIBITED

100% RECYCLABLE

TITLE:

7'6" JJ

SHAPER:

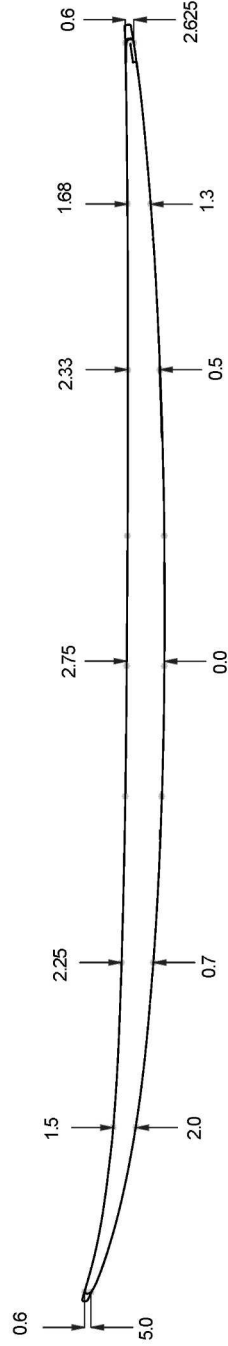
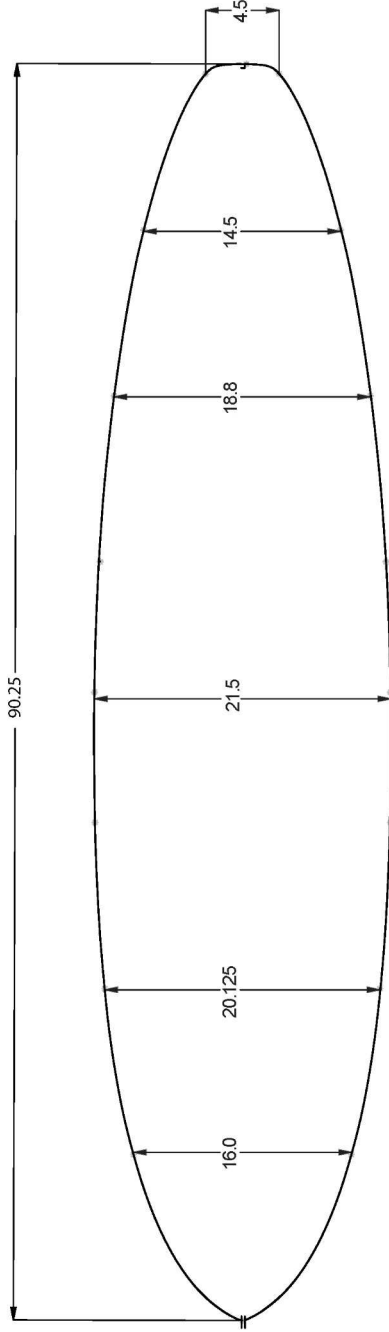
JEFF JOHNSTON

Updated 5-11-16



7'6" JJ FINISH SHAPE

PRESSURE MOLDED EPS BLANKS



AVAILABLE DENSITIES:
*refer to density chart

STOCK STRINGER:
4mm poplar ply

BLANK DESCRIPTION

This is a close tolerance 90% finished shape blank. Designed to be finish sanded straight from the mold. Great for kits and beginning shapers.

THIS INFORMATION IN THIS DRAWING IS THE SOLE PROPERTY OF marko foam ANY REPRODUCTION IN PART OR AS A WHOLE WITHOUT THE WRITTEN PERMISSION OF marko foam IS PROHIBITED

100% RECYCLABLE

TITLE:

SHAPER:

7'6" JJ FS

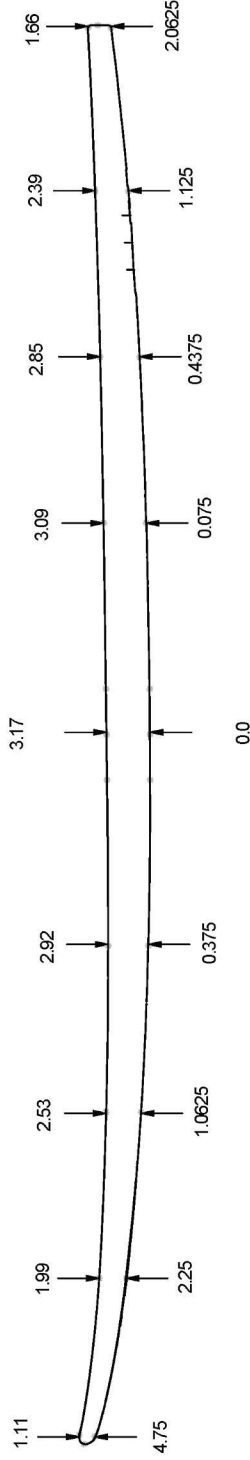
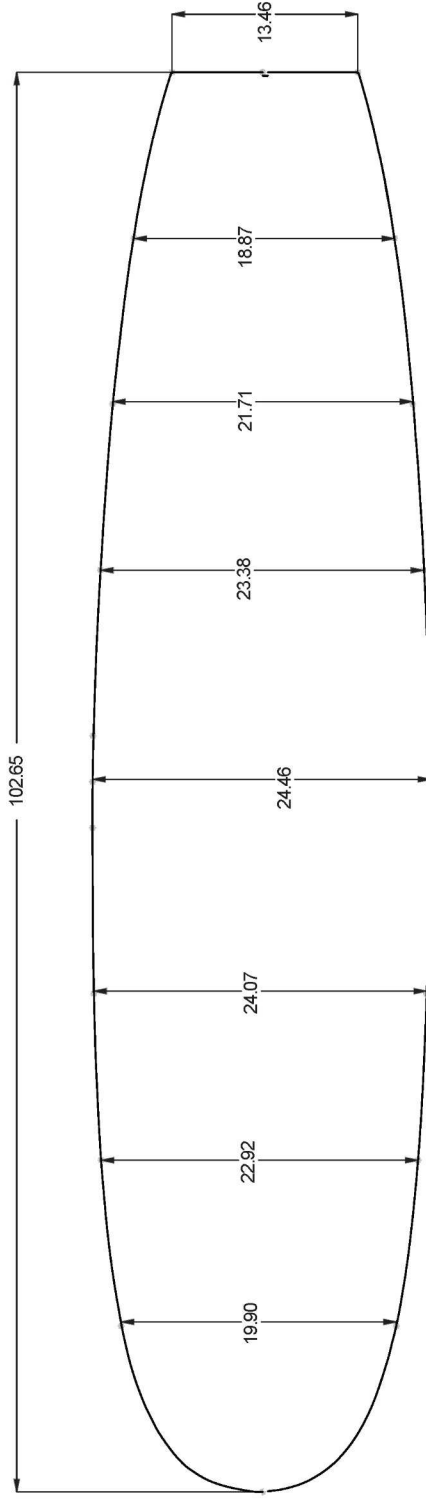
JEFF JOHNSTON

Updated 5-11-16



8'5" UNIVERSAL

PRESSURE MOLDED EPS BLANKS



AVAILABLE DENSITIES:
*refer to density chart

STOCK STRINGER:
1/8" Bass

BLANK DESCRIPTION
A very well balanced blank for hand shaping with room to move for cutting on the machine. Blank is shaped with a slight concave to maximize board design and thickness.

THIS INFORMATION IN THIS DRAWING IS THE SOLE PROPERTY OF marko foam ANY REPRODUCTION IN PART OR AS A WHOLE WITHOUT THE WRITTEN PERMISSION OF marko foam IS PROHIBITED

100% RECYCLABLE

TITLE:

SHAPER:

8'5" UNIVERSAL

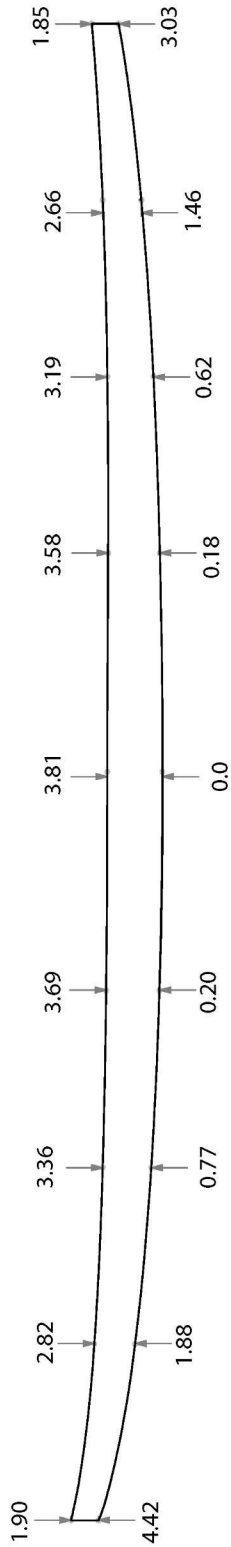
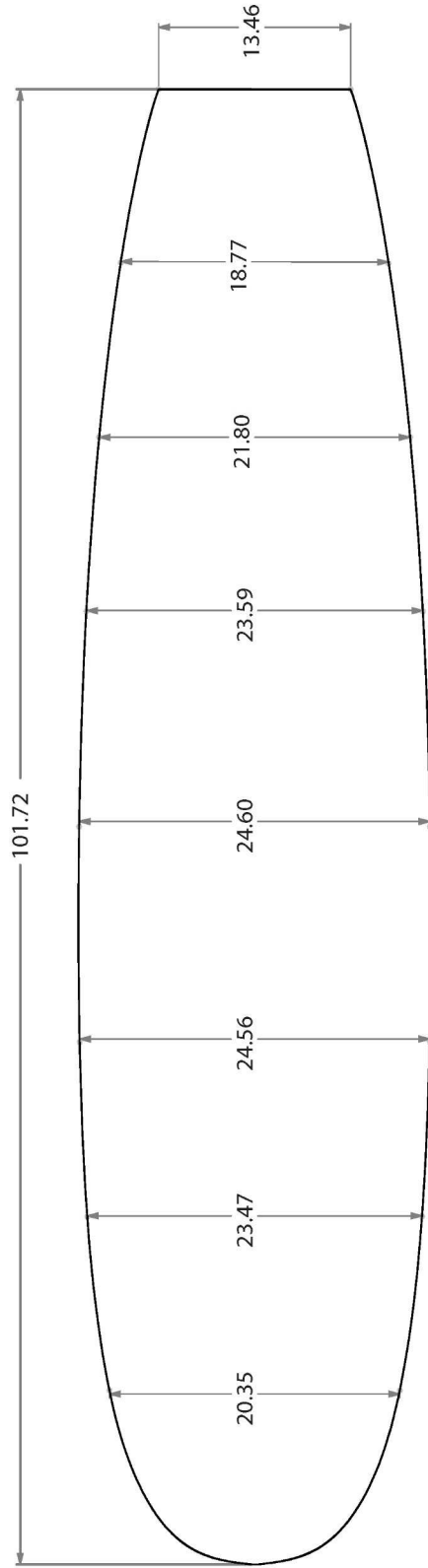
Marko Foam

Updated 5-11-16



8'5" THICK

PRESSURE MOLDED EPS BLANKS



AVAILABLE DENSITIES:
*refer to density chart

STOCK STRINGER:
1/8" Bass

Updated 5-11-16

BLANK DESCRIPTION

From a big fish to a longboard and everything in between, this blank can do it all. With added thickness from the 8'5" universal this blank can fit almost any board and is perfect for machine shaping.

THIS INFORMATION IN THIS DRAWING IS THE SOLE PROPERTY OF marko foam ANY REPRODUCTION IN PART OR AS A WHOLE WITHOUT THE WRITTEN PERMISSION OF marko foam IS PROHIBITED

100% RECYCLABLE

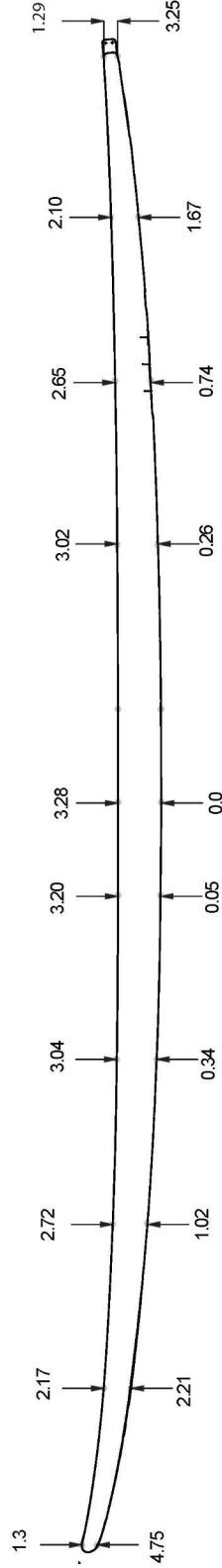
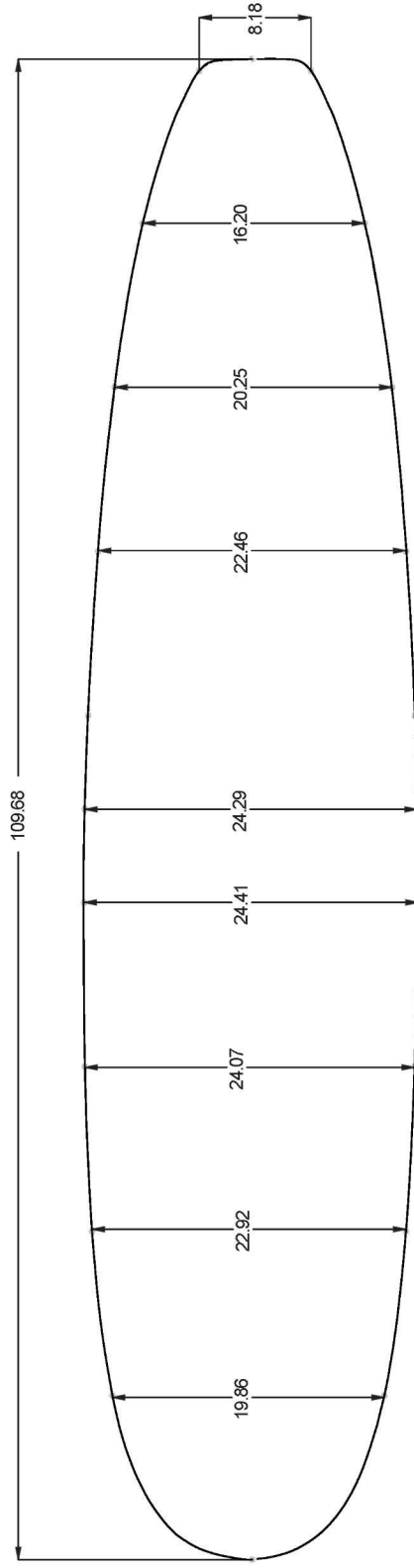
TITLE: SHAPER:

8'5" Thick Marko Foam



9'1" JJ HYPER - FORM

PRESSURE MOLDED EPS BLANKS



AVAILABLE DENSITIES:

*refer to density chart

STOCK STRINGER:

1/8" Bass

BLANK DESCRIPTION

A very well balanced blank for hand shaping with room to move for cutting on the machine. Blank is shaped with a slight concave to maximize board design and thickness.

THIS INFORMATION IN THIS DRAWING IS THE SOLE PROPERTY OF marko foam ANY REPRODUCTION IN PART OR AS A WHOLE WITHOUT THE WRITTEN PERMISSION OF marko foam IS PROHIBITED

100% RECYCLABLE

TITLE:

SHAPER:

9'1" JJHYPER-FORM

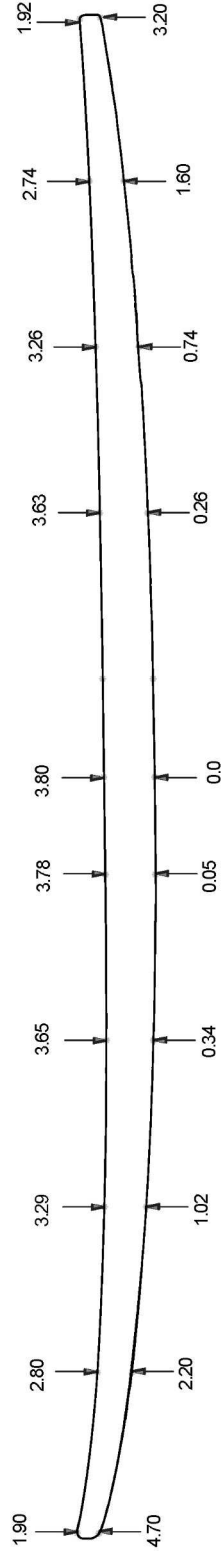
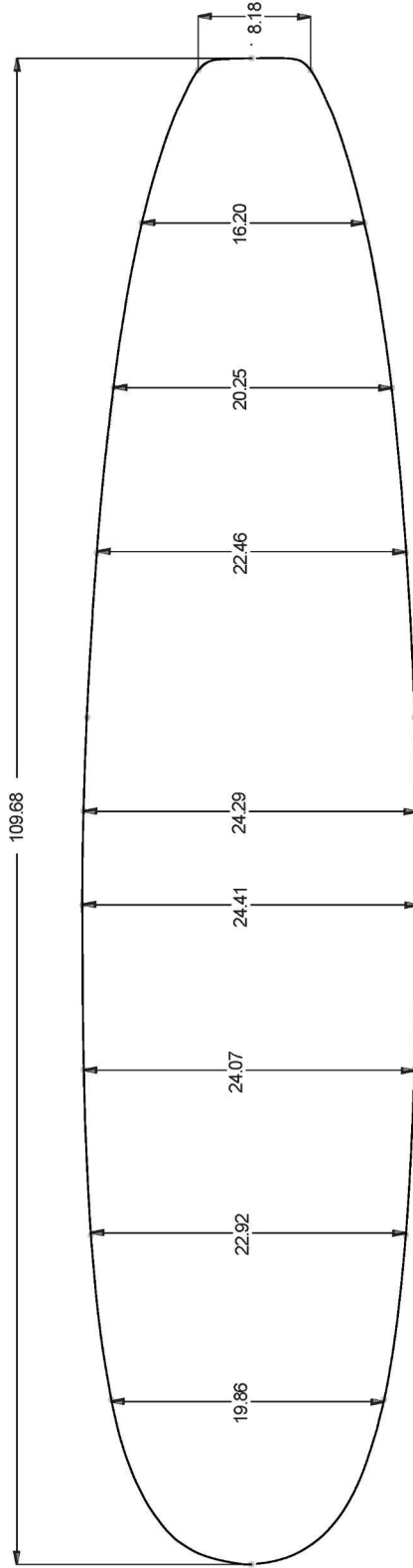
JEFF JOHNSTON

Updated 5-11-16



9'1" MACHINE ALL

PRESSURE MOLDED EPS BLANKS



AVAILABLE DENSITIES:
*refer to density chart

STOCK STRINGER:
1/8" Bass

BLANK DESCRIPTION

This blank is designed for machine shaping and capturing most all big guy hybrid and performance long boards. Natural rocker can be altered to meet your needs.

THIS INFORMATION IN THIS DRAWING IS THE SOLE PROPERTY OF marko foam ANY REPRODUCTION IN PART OR AS A WHOLE WITHOUT THE WRITTEN PERMISSION OF marko foam IS PROHIBITED

100% RECYCLABLE

TITLE:

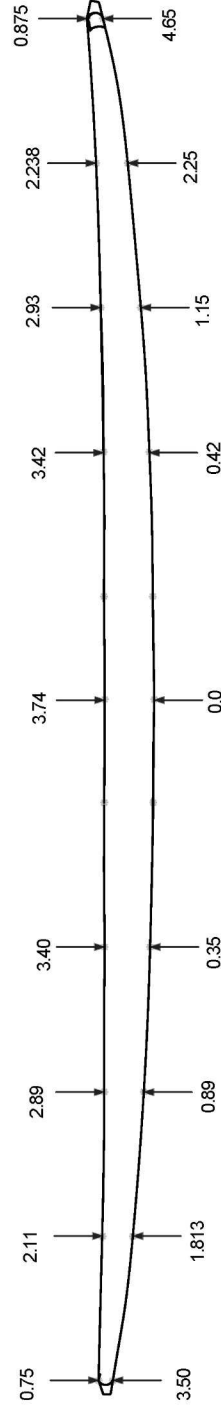
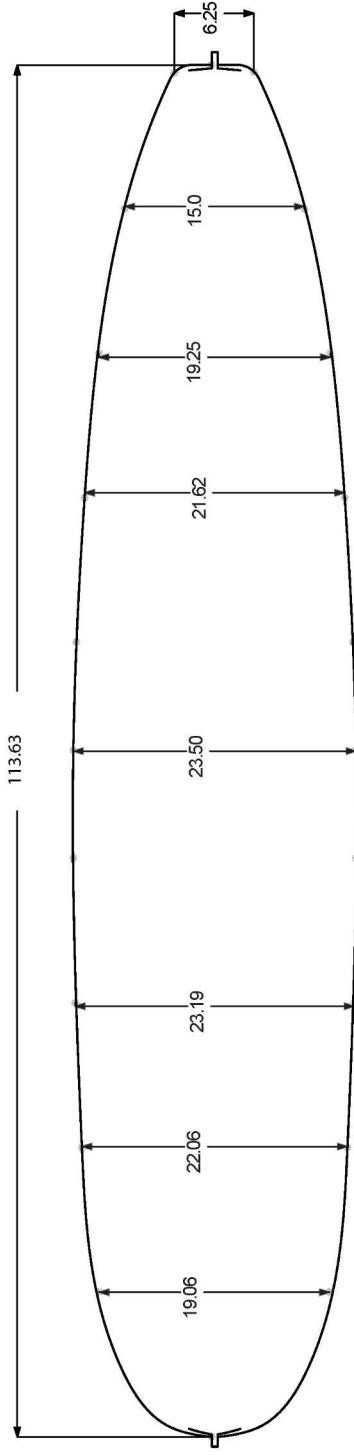
SHAPER:

9'1" MACHINE ALL

Marko Foam

9'6" HB CLASSIC

BLOCK CUT EPS



AVAILABLE DENSITIES:
*refer to density chart

STOCK STRINGER:
1/8" Bass

Updated 5-11-16

BLANK DESCRIPTION

This 9'6" classic long board style blank was created by long time shaper Hank Byzak and dedicated EPS proponent Dan Hirsch. Their approach was to create a tight tolerance shaping blank and a functional big guy board that would be close to finish right out of the pressure molding process with very little fine tuning left to complete the shape.

THIS INFORMATION IN THIS DRAWING IS THE SOLE PROPERTY OF marko foam
ANY REPRODUCTION IN PART OR AS A WHOLE WITHOUT THE WRITTEN PERMISSION OF marko foam IS PROHIBITED

100% RECYCLABLE

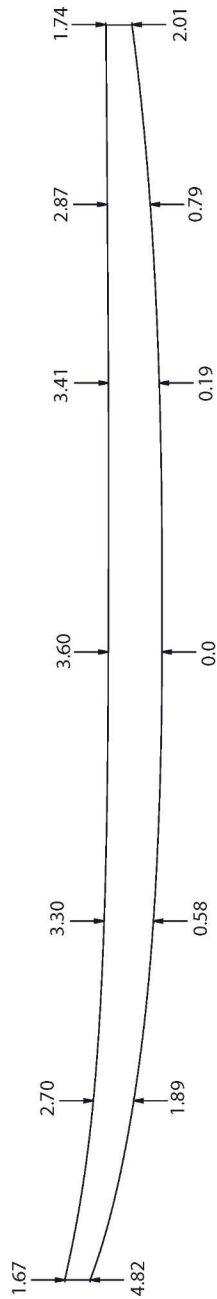
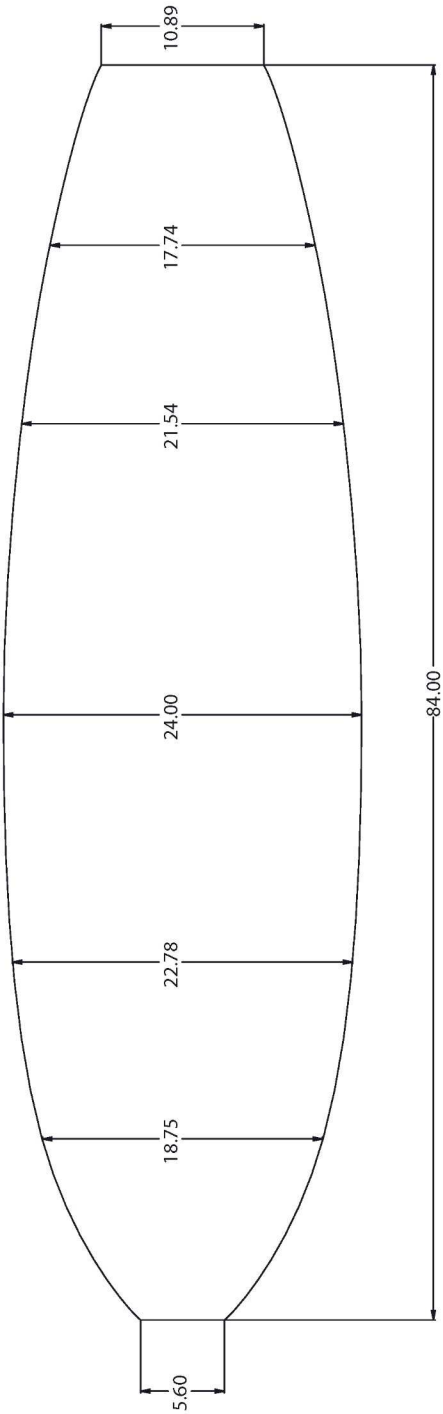
TITLE:
9'6" HB CLASSIC

SHAPER:
HANK BYZACK R&D
- DAN HIRSCH



MK-7'0"

BLOCK CUT EPS



AVAILABLE DENSITIES:
refer to density chart

STOCK STRINGER:
4mm poplar ply

BLANK DESCRIPTION

A blank made perfectly for a big boy or fun board with a mellow rocker profile and wide deck. This blank is cut out of block EPS on a computer controlled hotwire machine to ensure the same blank dimensions everytime.

THIS INFORMATION IN THIS DRAWING IS THE SOLE PROPERTY OF marko foam ANY REPRODUCTION IN PART OR AS A WHOLE WITHOUT THE WRITTEN PERMISSION OF marko foam IS PROHIBITED

100% RECYCLABLE

TITLE:

MK-7'0"

SHAPER:

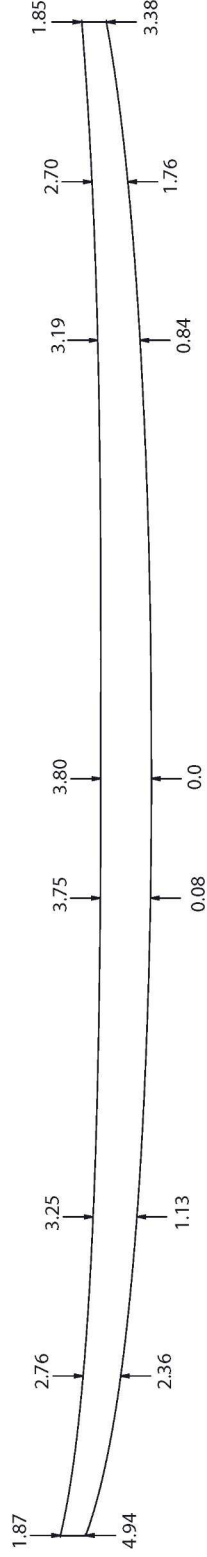
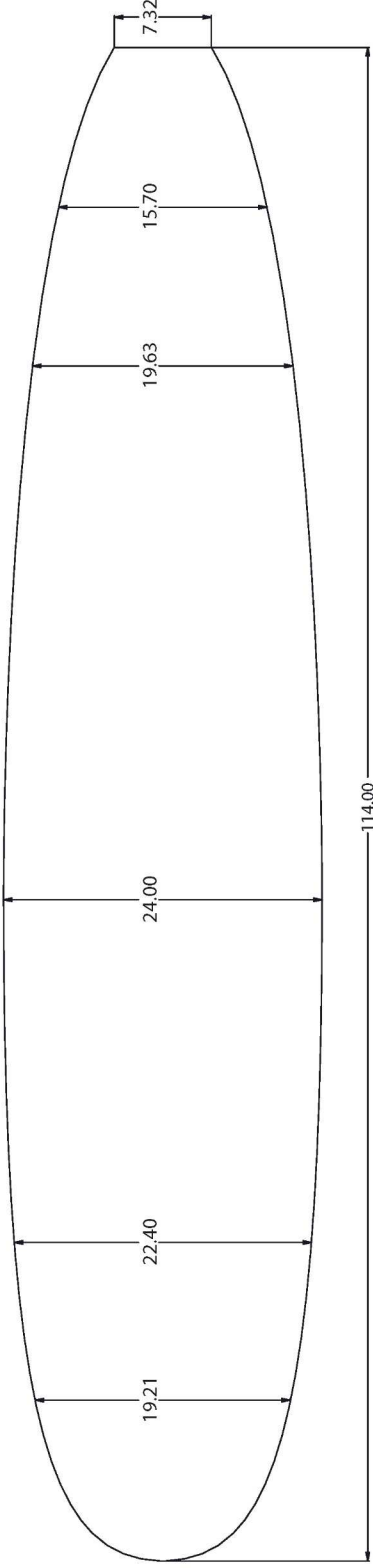
Marko Foam

Updated 5-11-16



MK-9'6"

BLOCK CUT EPS



AVAILABLE DENSITIES:

*refer to density chart

STOCK STRINGER:

1/8" Bass

BLANK DESCRIPTION

A blank made perfectly for your next longboard. With plenty of width and thickness it is perfect for a mellow cruiser or a high performance log. This blank is cut out of block EPS on a computer controlled hotwire machine to ensure the same blank dimensions everytime.

THIS INFORMATION IN THIS DRAWING IS THE SOLE PROPERTY OF marko foam ANY REPRODUCTION IN PART OR AS A WHOLE WITHOUT THE WRITTEN PERMISSION OF marko foam IS PROHIBITED

100% RECYCLABLE

TITLE:

MK-9'6"

SHAPER:

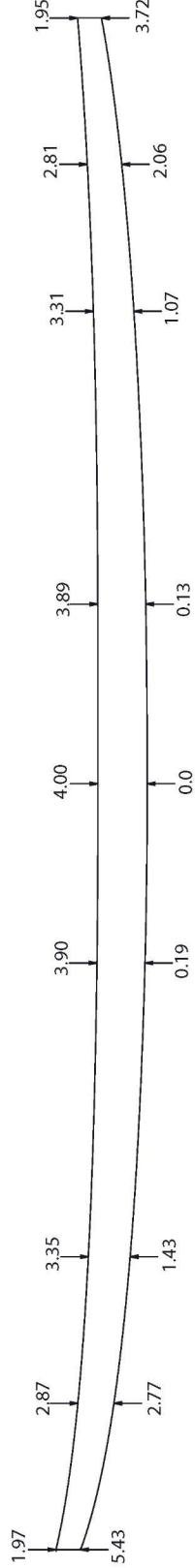
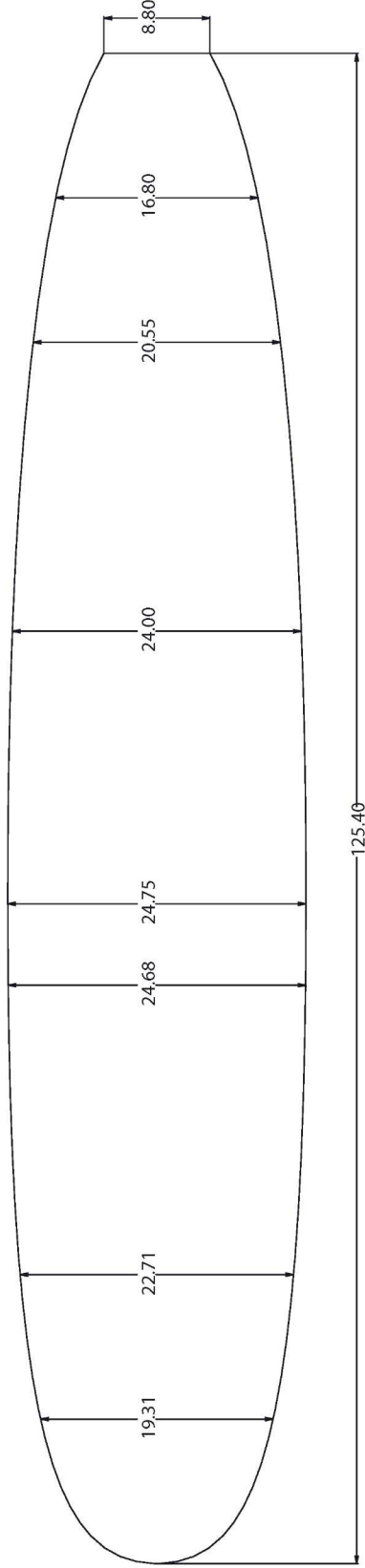
Marko Foam

Updated 5-11-16



MK- 10'6"

BLOCK CUT EPS



AVAILABLE DENSITIES:
*refer to density chart

STOCK STRINGER:
1/8" Bass

BLANK DESCRIPTION

A blank made perfectly for your next longboard. With plenty of width and thickness it is perfect for a mellow cruiser or a high performance log. This blank is cut out of block EPS on a computer controlled hotwire machine to ensure the same blank dimensions everytime.

THIS INFORMATION IN THIS DRAWING IS THE SOLE PROPERTY OF marko foam ANY REPRODUCTION IN PART OR AS A WHOLE WITHOUT THE WRITTEN PERMISSION OF marko foam IS PROHIBITED

100% RECYCLABLE

TITLE:

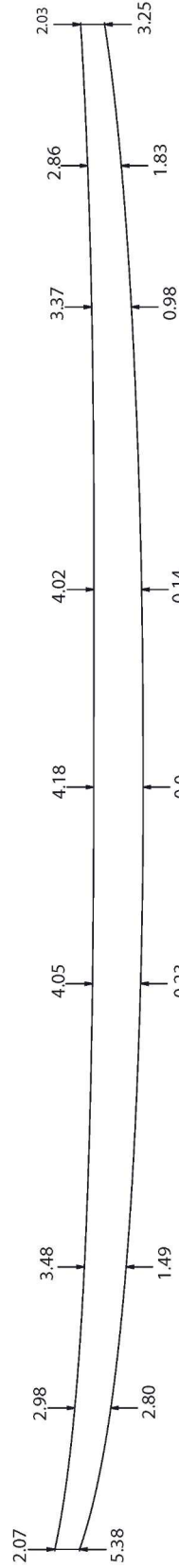
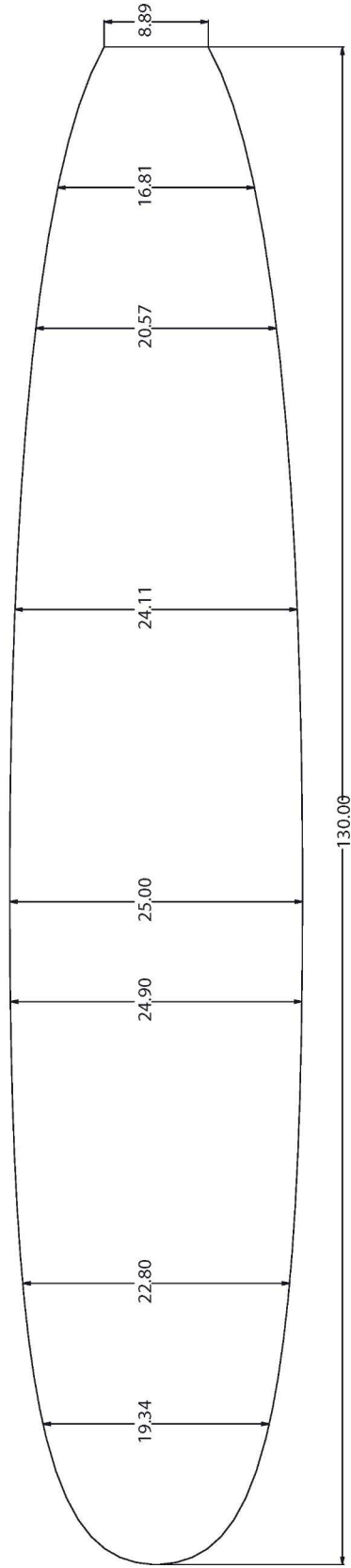
SHAPER:

MK- 10'6"

Marko Foam

MK- 10'10"

BLOCK CUT EPS



AVAILABLE DENSITIES:

*refer to density chart

STOCK STRINGER:

1/8" Bass

THIS INFORMATION IN THIS DRAWING IS THE SOLE PROPERTY OF marko foam ANY REPRODUCTION IN PART OR AS A WHOLE WITHOUT THE WRITTEN PERMISSION OF marko foam IS PROHIBITED

BLANK DESCRIPTION

A blank made perfectly for your next longboard. With plenty of width and thickness it is perfect for a mellow cruiser or a high performance log. This blank is cut out of block EPS on a computer controlled hotwire machine to ensure the same blank dimensions everytime.

Updated 5-11-16

100% RECYCLABLE

TITLE:

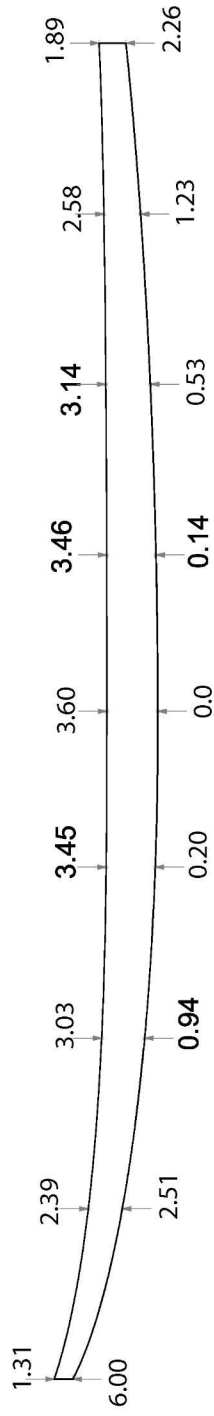
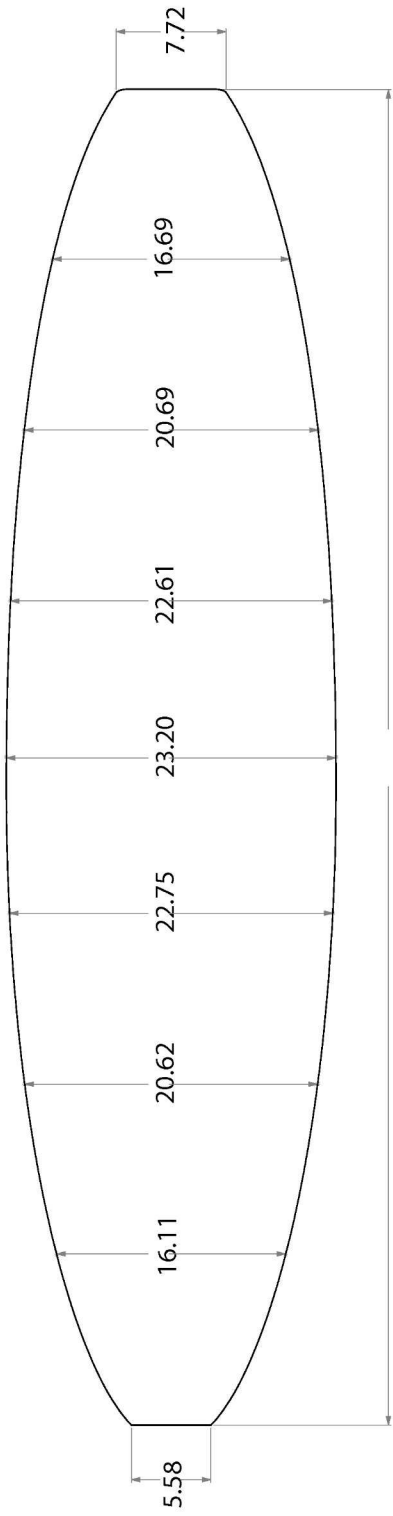
MK- 10'10"

SHAPER:

Marko Foam

7'10 GUN

BLOCK CUT EPS



AVAILABLE DENSITIES:
*refer to density chart

STOCK STRINGER:
1/4" Bass

BLANK DESCRIPTION

If your looking to charge some big waves you've found the right blank. With enough rocker to make the drop and an outline made for speed there's no wave the gun blanks can't handle. Go big or go home!

THIS INFORMATION IN THIS DRAWING IS THE SOLE PROPERTY OF marko foam ANY REPRODUCTION IN PART OR AS A WHOLE WITHOUT THE WRITTEN PERMISSION OF marko foam IS PROHIBITED

100% RECYCLABLE

TITLE:

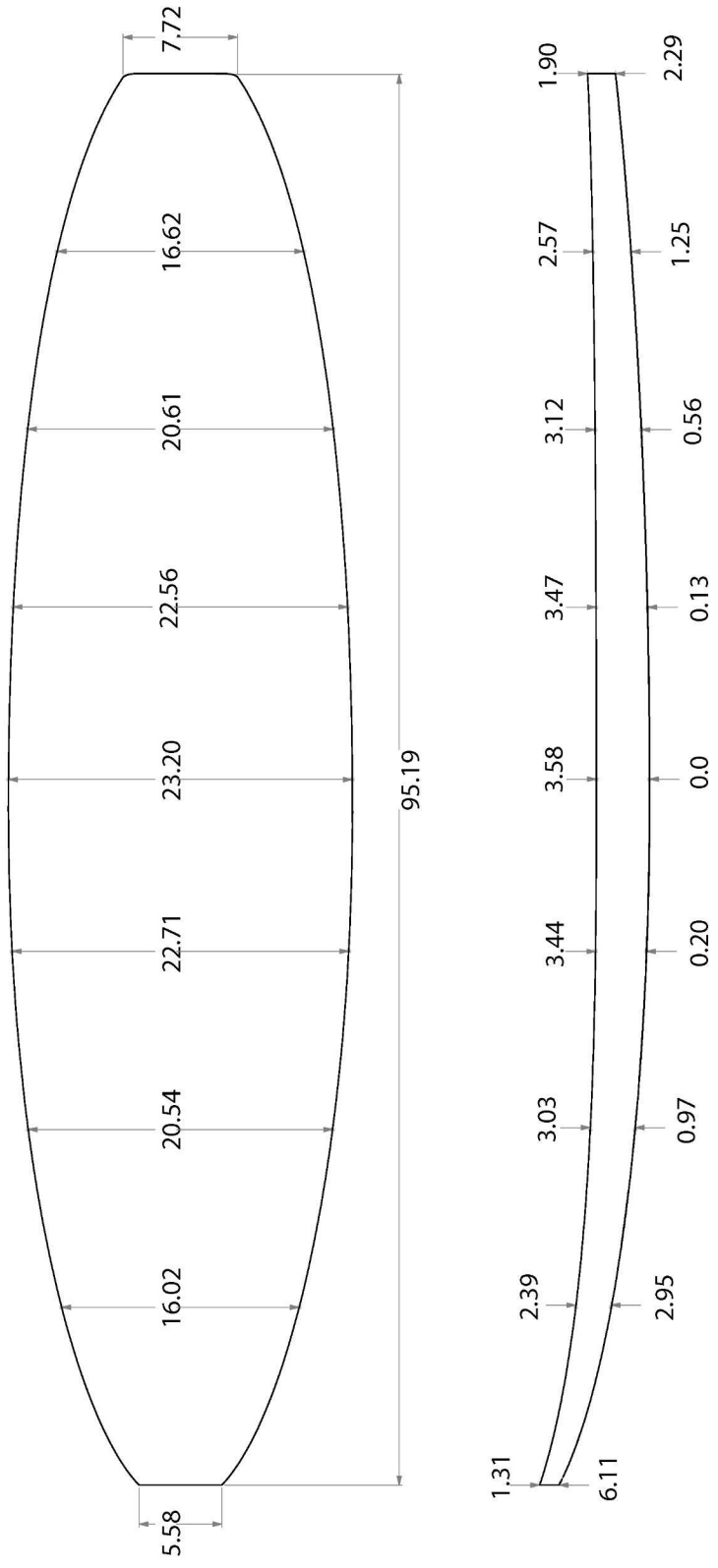
SHAPER:

7'10" Gun

Marko Foam

8'0" GUN

BLOCK CUT EPS



AVAILABLE DENSITIES:
*refer to density chart

STOCK STRINGER:
1/4" Bass

Updated 5-11-16

BLANK DESCRIPTION

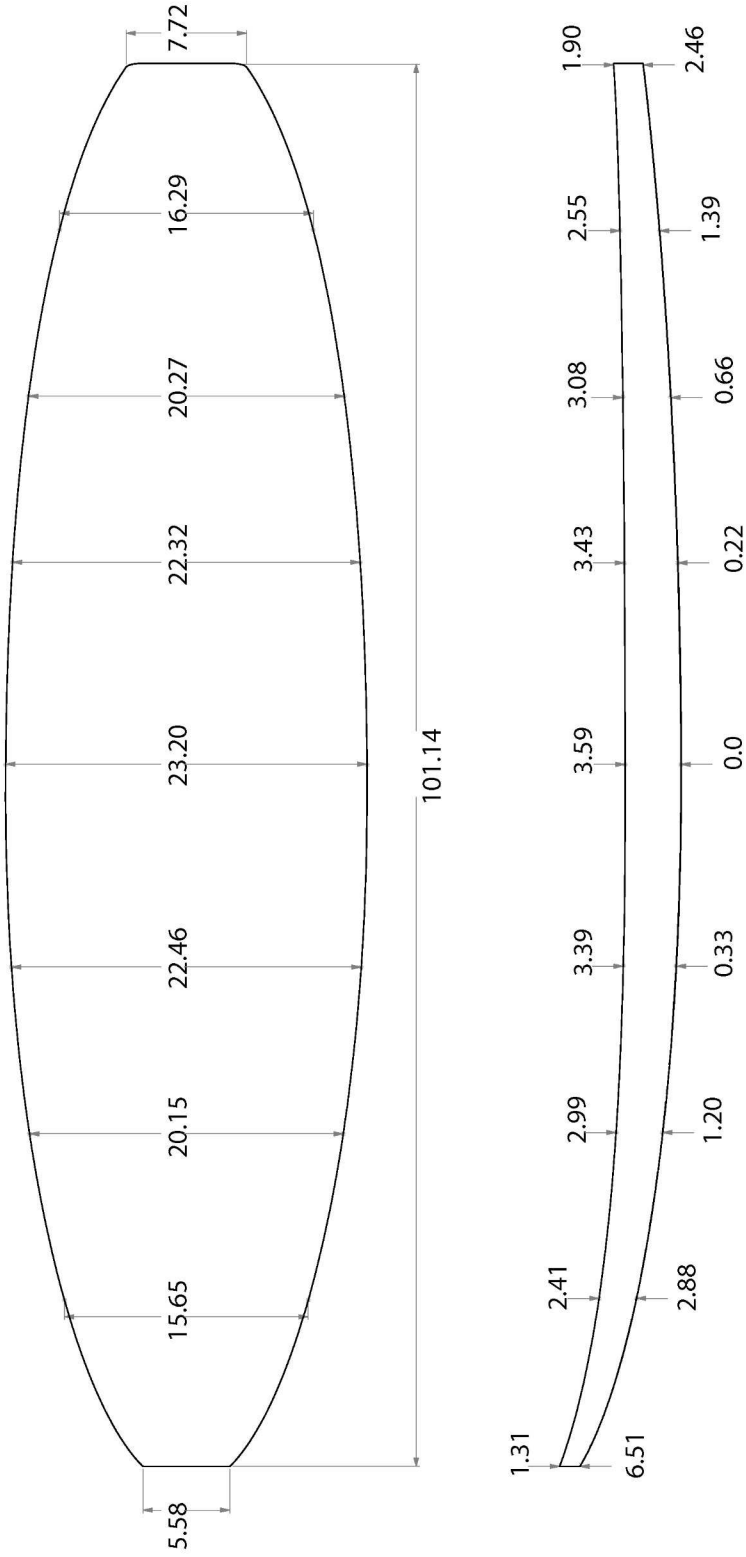
If your looking to charge some big waves you've found the right blank. With enough rocker to make the drop and an outline made for speed there's no wave the gun blanks can't handle. Go big or go home!

THIS INFORMATION IN THIS DRAWING IS THE SOLE PROPERTY OF marko foam ANY REPRODUCTION IN PART OR AS A WHOLE WITHOUT THE WRITTEN PERMISSION OF marko foam IS PROHIBITED

100% RECYCLABLE	
TITLE:	8'0" Gun
SHAPER:	Marko Foam

8'6" GUN

BLOCK CUT EPS



AVAILABLE DENSITIES:
*refer to density chart

STOCK STRINGER:
1/4" Bass

BLANK DESCRIPTION

If your looking to charge some big waves you've found the right blank. With enough rocker to make the drop and an outline made for speed there's no wave the gun blanks can't handle. Go big or go home!

THIS INFORMATION IN THIS DRAWING IS THE SOLE PROPERTY OF marko foam ANY REPRODUCTION IN PART OR AS A WHOLE WITHOUT THE WRITTEN PERMISSION OF marko foam IS PROHIBITED

100% RECYCLABLE

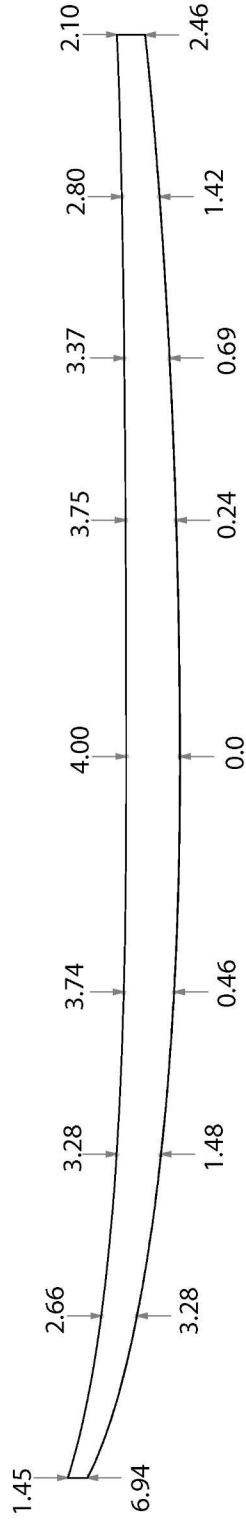
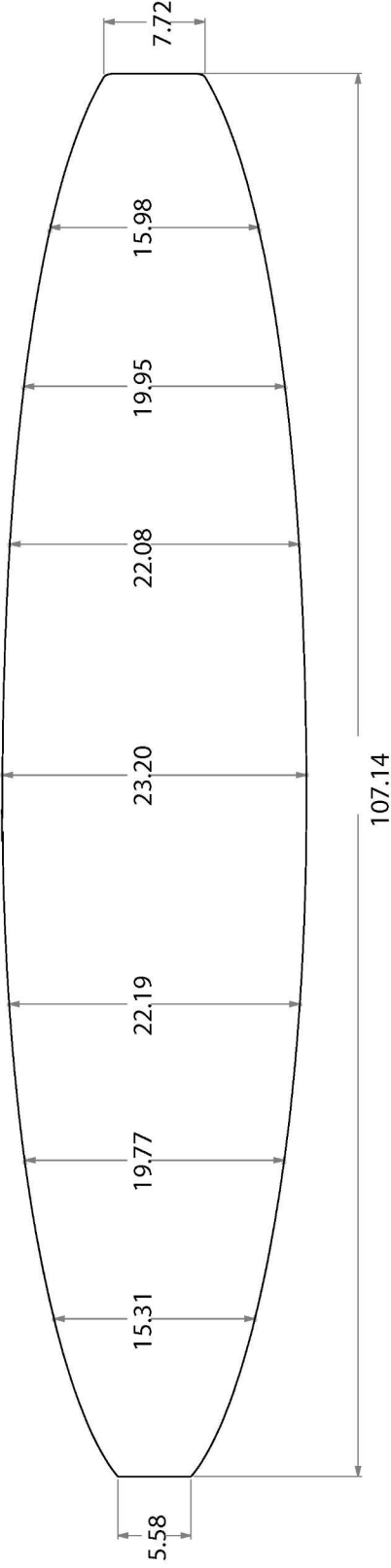
TITLE: 8'6" Gun

SHAPER: Marko Foam



9'0" GUN

BLOCK CUT EPS



AVAILABLE DENSITIES:
*refer to density chart

STOCK STRINGER:
1/4" Bass

Updated 5-11-16

BLANK DESCRIPTION

If your looking to charge some big waves you've found the right blank. With enough rocker to make the drop and an outline made for speed there's no wave the gun blanks can't handle. Go big or go home!

THIS INFORMATION IN THIS DRAWING IS THE SOLE PROPERTY OF marko foam ANY REPRODUCTION IN PART OR AS A WHOLE WITHOUT THE WRITTEN PERMISSION OF marko foam IS PROHIBITED

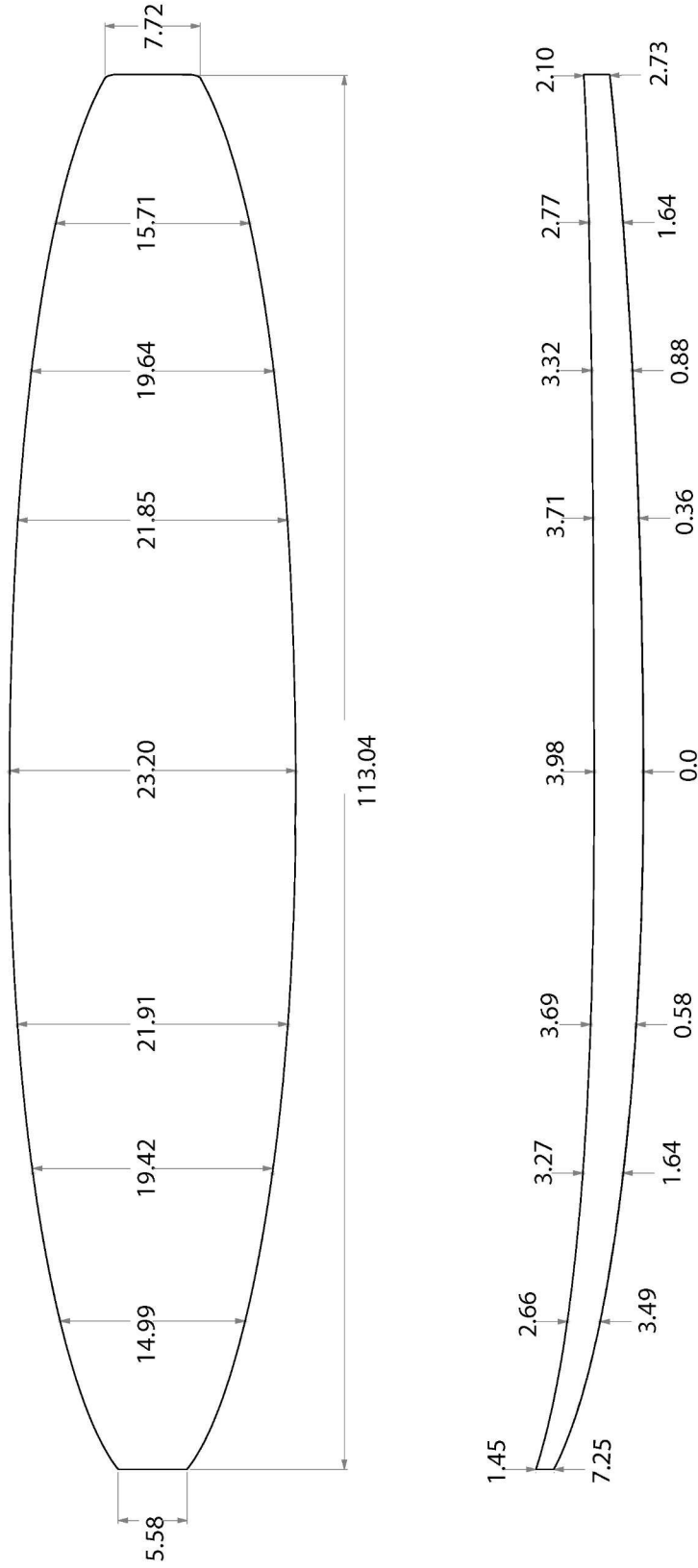
100% RECYCLABLE

TITLE: SHAPER:

9'0" Gun

Marko Foam

9'6" GUN BLOCK CUT EPS



AVAILABLE DENSITIES:
*refer to density chart

STOCK STRINGER:
1/4" Bass

BLANK DESCRIPTION

If your looking to charge some big waves you've found the right blank. With enough rocker to make the drop and an outline made for speed there's no wave the gun blanks can't handle. Go big or go home!

Updated 5-11-16

THIS INFORMATION IN THIS DRAWING IS THE SOLE PROPERTY OF marko foam ANY REPRODUCTION IN PART OR AS A WHOLE WITHOUT THE WRITTEN PERMISSION OF marko foam IS PROHIBITED

100% RECYCLABLE

TITLE:

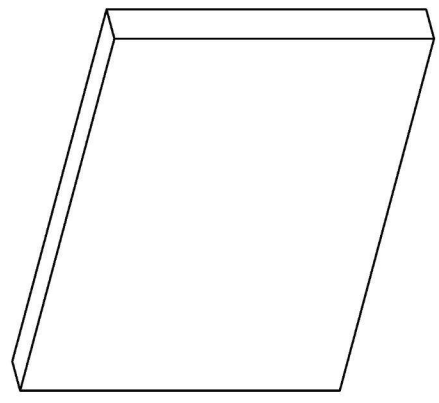
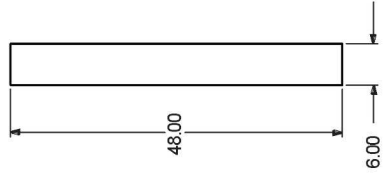
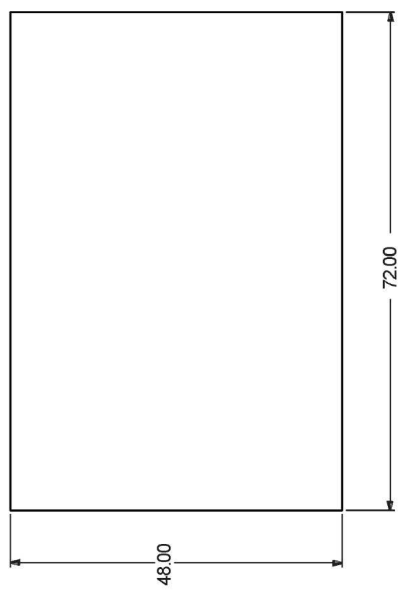
SHAPER:

9'6" Gun

Marko Foam

MOLDED PLANK

PRESSURE MOLDED EPP



AVAILABLE DENSITIES:
1.3, 1.9

BLANK DESCRIPTION
This plank can be ordered as is or cut to specified dimensions. Good yield for many watersports applications.

MATERIAL:
EPP/EPE

THIS INFORMATION IN THIS DRAWING IS THE SOLE PROPERTY OF marko foam ANY REPRODUCTION IN PART OR AS A WHOLE WITHOUT THE WRITTEN PERMISSION OF marko foam IS PROHIBITED

100% RECYCLABLE

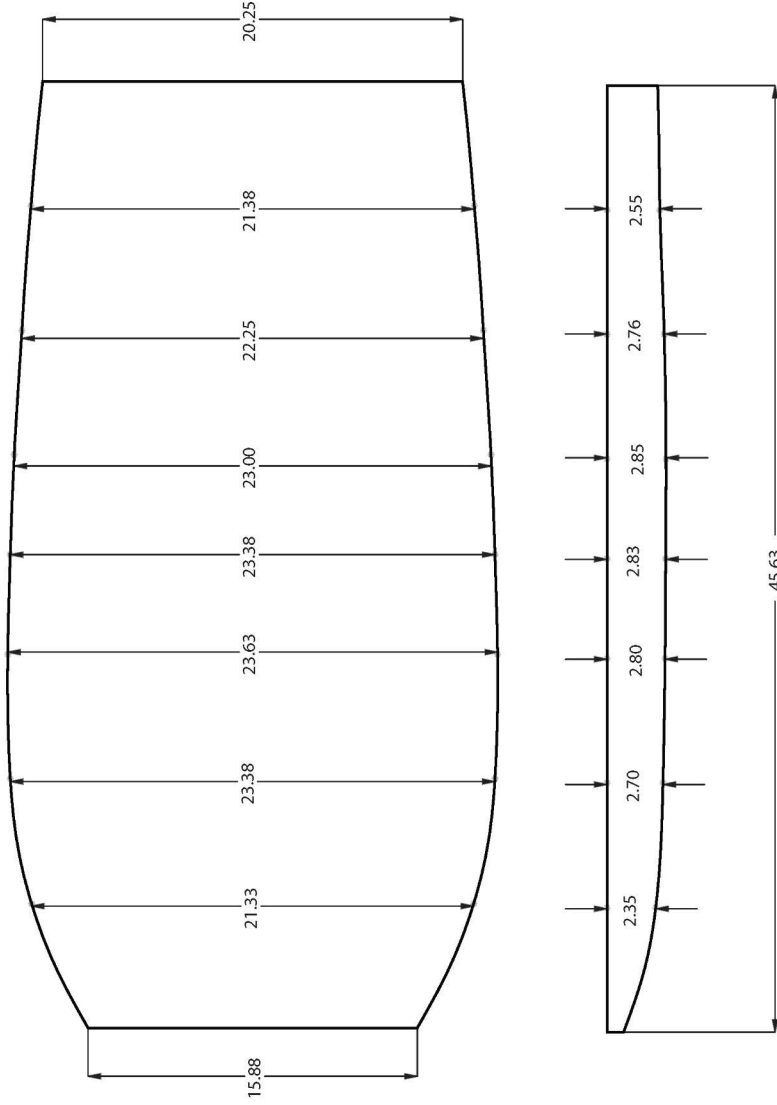
TITLE:
MOLDED PLANK

SHAPER:
Marko Foam

Updated 5-6-16



BODYBOARD CORE



AVAILABLE DENSITIES:
 2.0, 2.2 // Special densities available upon request

BLANK DESCRIPTION
 Bodyboard cores can be sanded to specified thickness. Typical thickness is 2.0"

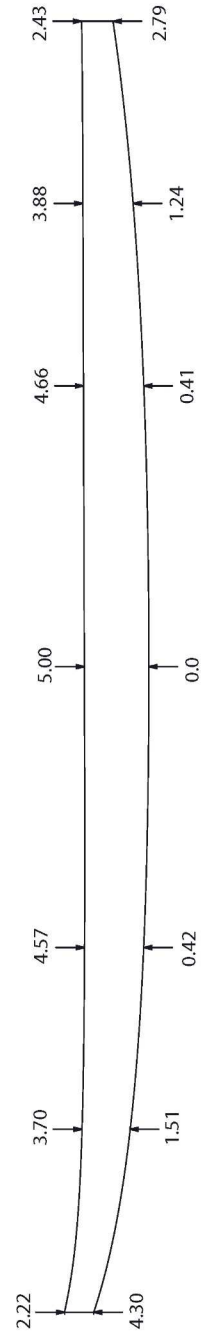
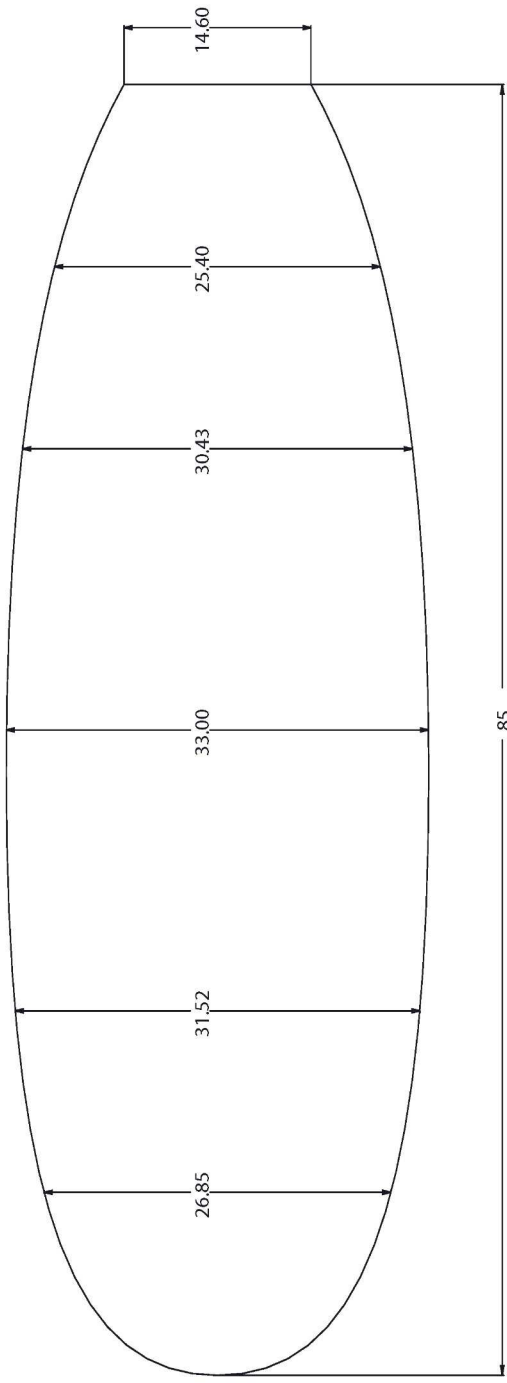
MATERIAL:
 IFOAM / EPS

THIS INFORMATION IN THIS DRAWING IS THE SOLE PROPERTY OF marko foam
 ANY REPRODUCTION IN PART OR AS A WHOLE WITHOUT THE WRITTEN PERMISSION OF marko foam IS PROHIBITED

100% RECYCLABLE	TITLE:	SHAPER:
	BODYBOARD CORE	Marko Foam

SUP CATALOG

7'0" MK-SUP-STD



AVAILABLE DENSITIES:(PCF)
*refer to density chart

STOCK STRINGER:
1/8" BASS

BLANK DESCRIPTION

This is a slab cut blank made out of Virgin EPS, glued with our stock rocker that can be adjusted to your specifications.

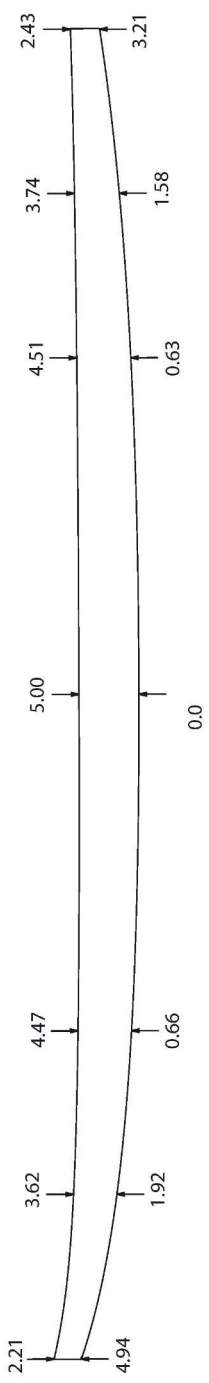
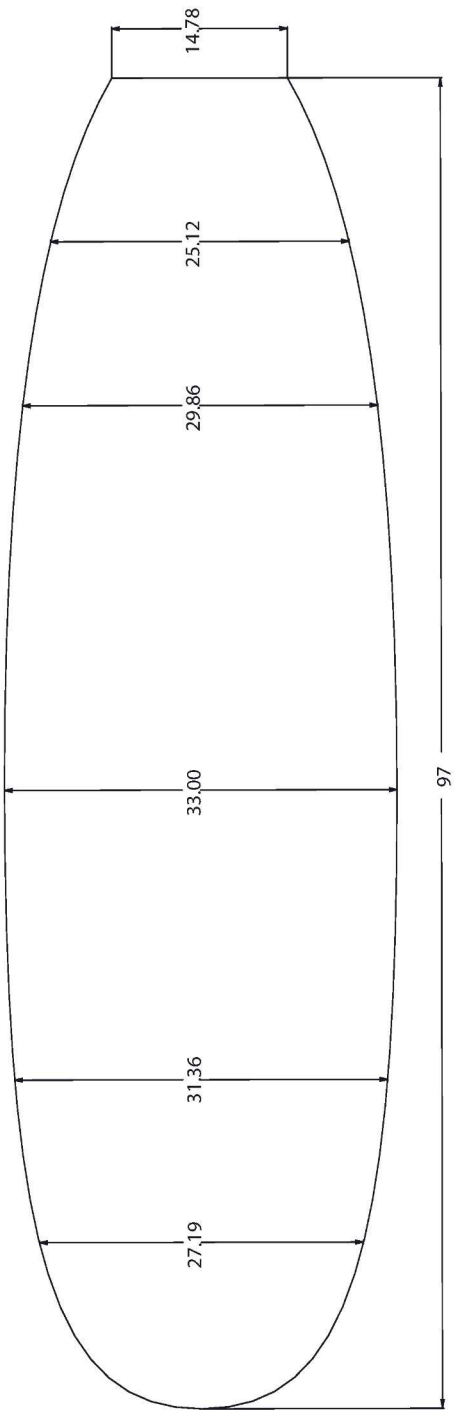
THE INFORMATION IN THIS DRAWING IS THE SOLE PROPERTY OF MARKO FOAM. ANY REPRODUCTION IN PART OR AS A WHOLE WITHOUT THE WRITTEN PERMISSION OF MARKO FOAM IS PROHIBITED

100% RECYCLABLE

TITLE	SHAPER
7'0" MK-SUP-STD	Marko Foam



8'0" MK-SUP-STD



AVAILABLE DENSITIES:(PCF)
*refer to density chart

STOCK STRINGER:
1/8" BASS

Updated 5-11-16

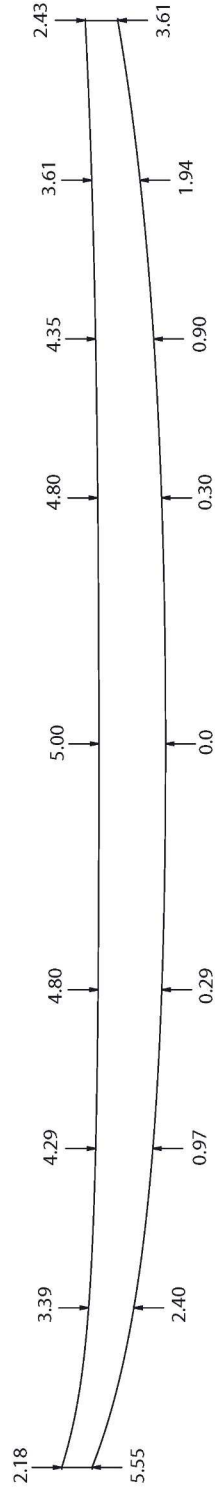
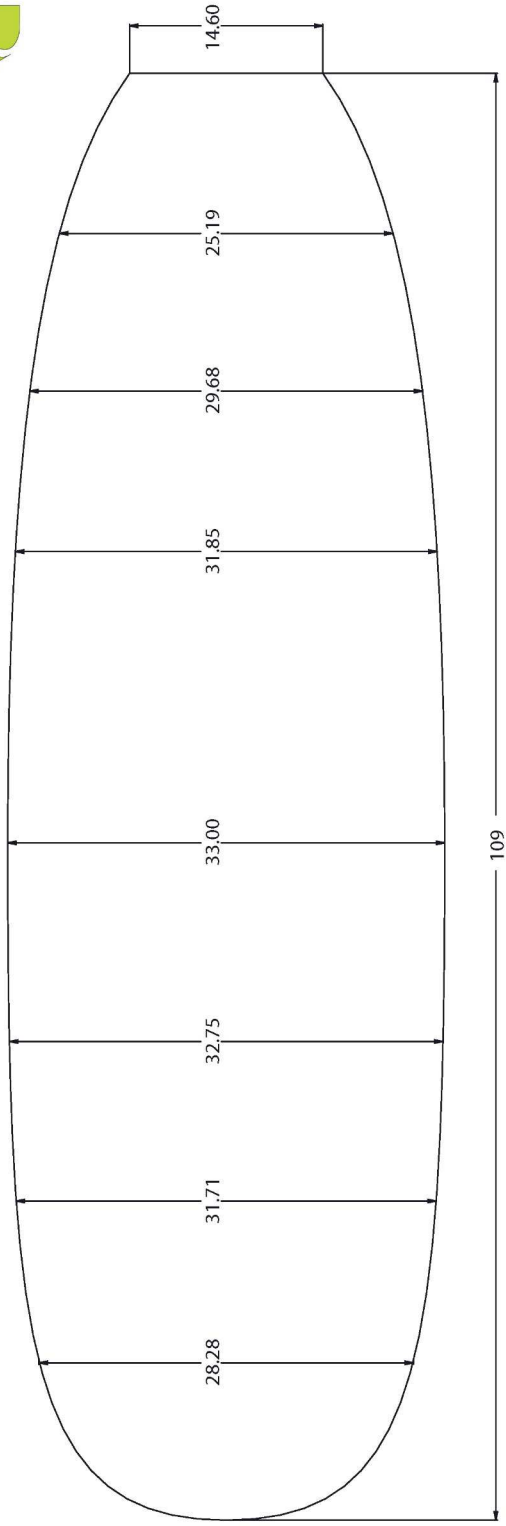
BLANK DESCRIPTION

This is a slab cut blank made out of Virgin EPS, glued with our stock rocker that can be adjusted to your specifications.

THE INFORMATION IN THIS DRAWING IS THE SOLE PROPERTY OF MARKO FOAM. ANY REPRODUCTION IN PART OR AS A WHOLE WITHOUT THE WRITTEN PERMISSION OF MARKO FOAM IS PROHIBITED

100% RECYCLABLE	
TITLE	SHAPER
8'0" MK-SUP-STD	Marko Foam

9'0" MK-SUP-STD



AVAILABLE DENSITIES:(PCF)
*refer to density chart

STOCK STRINGER:
1/8" BASS

BLANK DESCRIPTION

This is a slab cut blank made out of Virgin EPS, glued with our stock rocker that can be adjusted to your specifications.

THE INFORMATION IN THIS DRAWING IS THE SOLE PROPERTY OF MARKO FOAM. ANY REPRODUCTION IN PART OR AS A WHOLE WITHOUT THE WRITTEN PERMISSION OF MARKO FOAM IS PROHIBITED

100% RECYCLABLE

TITLE

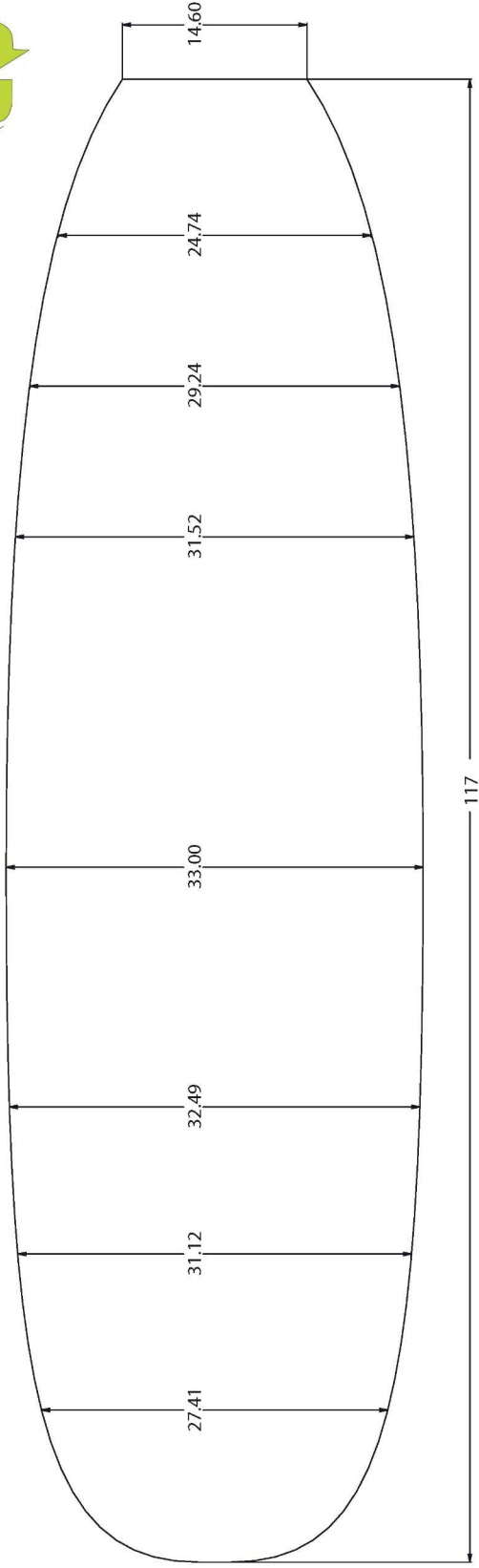
9'0" MK-SUP-STD

SHAPER

Marko Foam

Updated 5-11-16

9'8" MK-SUP-STD



AVAILABLE DENSITIES:(PCF)
*refer to density chart

STOCK STRINGER:
1/8" BASS

BLANK DESCRIPTION

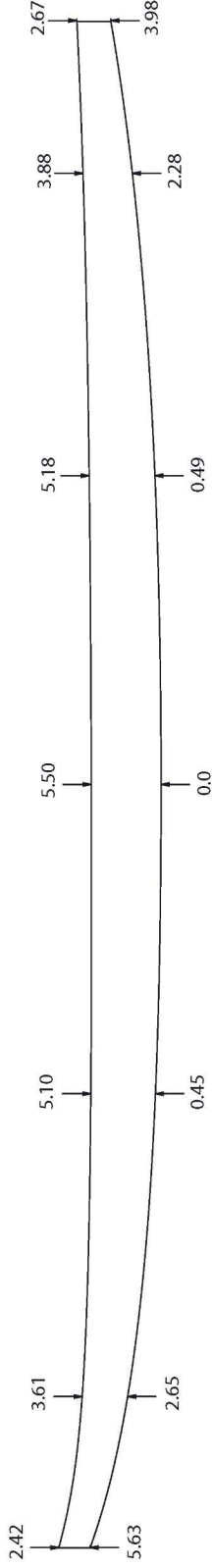
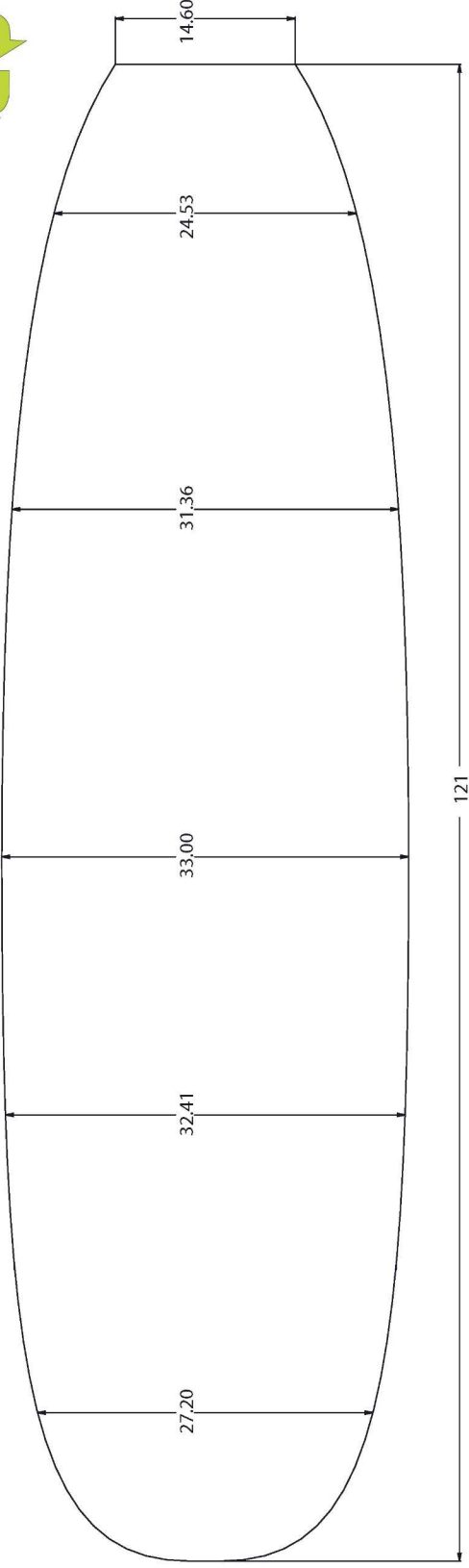
This is a slab cut blank made out of Virgin EPS, glued with our stock rocker that can be adjusted to your specifications.

THE INFORMATION IN THIS DRAWING IS THE SOLE PROPERTY OF MARKO FOAM. ANY REPRODUCTION IN PART OR AS A WHOLE WITHOUT THE WRITTEN PERMISSION OF MARKO FOAM IS PROHIBITED

100% RECYCLABLE

TITLE	SHAPER
9'8" MK-SUP-STD	Marko Foam

10'0" MK-SUP-STD



AVAILABLE DENSITIES:(PCF)

*refer to density chart

STOCK STRINGER:

1/8" BASS

BLANK DESCRIPTION

This is a slab cut blank made out of Virgin EPS, glued with our stock rocker that can be adjusted to your specifications.

THE INFORMATION IN THIS DRAWING IS THE SOLE PROPERTY OF MARKO FOAM. ANY REPRODUCTION IN PART OR AS A WHOLE WITHOUT THE WRITTEN PERMISSION OF MARKO FOAM IS PROHIBITED

100% RECYCLABLE

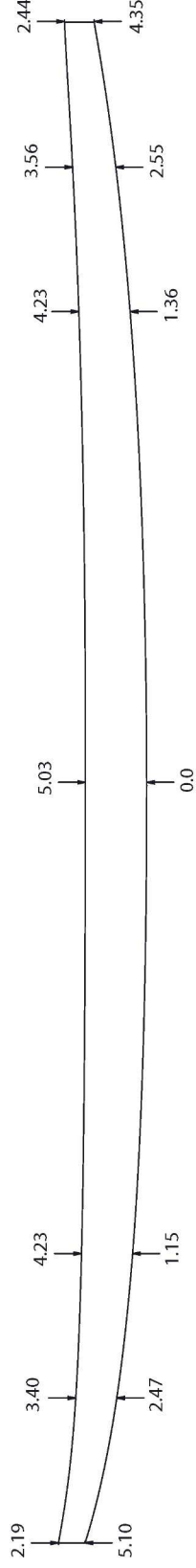
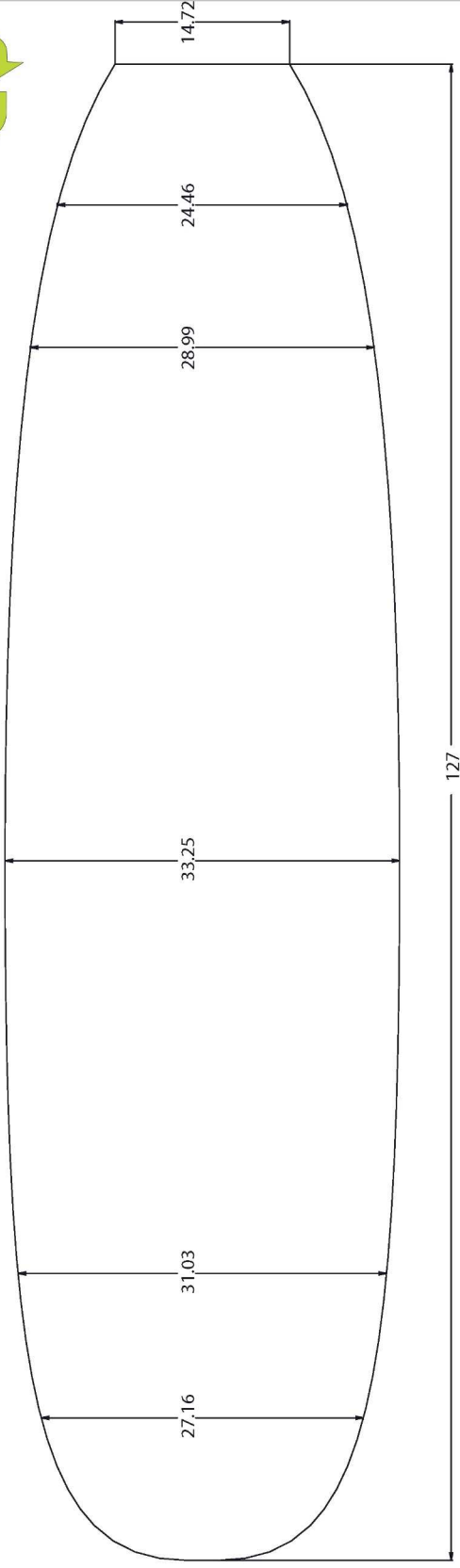
TITLE

10'0" MK-SUP-STD

SHAPER

Marko Foam

10'6" MK-SUP-STD



AVAILABLE DENSITIES:(PCF)

*refer to density chart

STOCK STRINGER:
1/8" BASS

BLANK DESCRIPTION

This is a slab cut blank made out of Virgin EPS, glued with our stock rocker that can be adjusted to your specifications.

Updated 5-11-16

THE INFORMATION IN THIS DRAWING IS THE SOLE PROPERTY OF MARKO FOAM. ANY REPRODUCTION IN PART OR AS A WHOLE WITHOUT THE WRITTEN PERMISSION OF MARKO FOAM IS PROHIBITED

100% RECYCLABLE

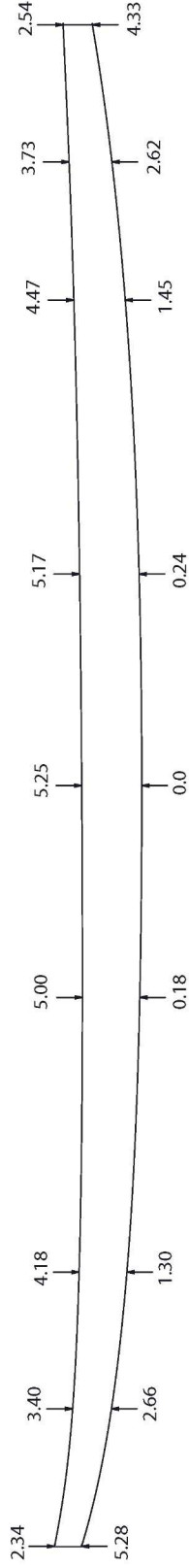
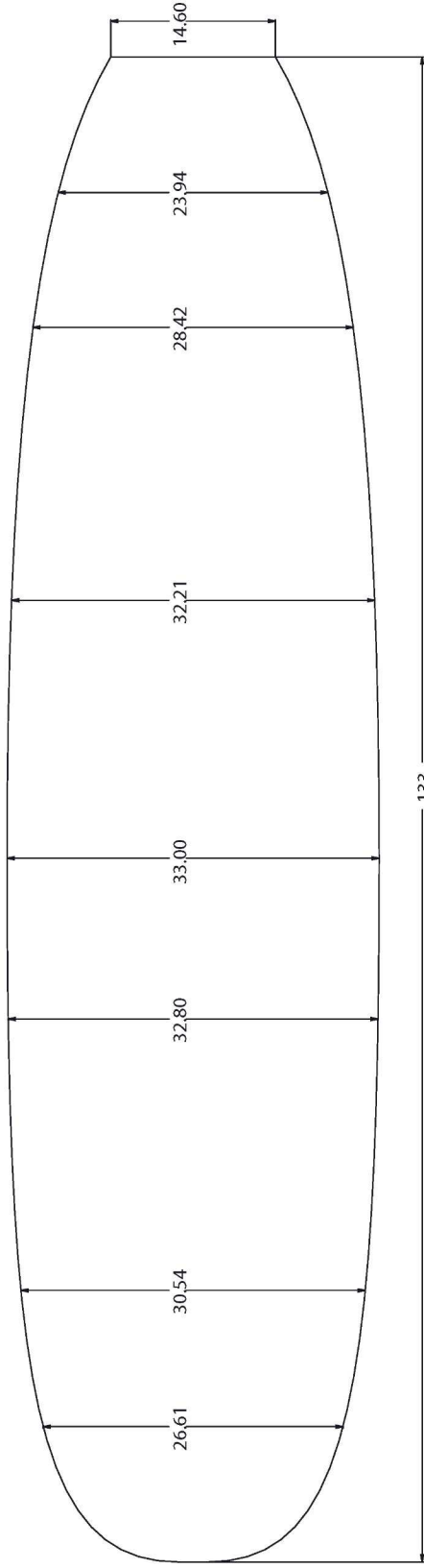
TITLE

10'6" MK-SUP-STD

SHAPER

Marko Foam

11'0" MK-SUP-STD



AVAILABLE DENSITIES:(PCF)
*refer to density chart

STOCK STRINGER:
1/8" BASS

BLANK DESCRIPTION

This is a slab cut blank made out of Virgin EPS, glued with our stock rocker that can be adjusted to your specifications.

Updated 5-11-16

THE INFORMATION IN THIS DRAWING IS THE SOLE PROPERTY OF MARKO FOAM. ANY REPRODUCTION IN PART OR AS A WHOLE WITHOUT THE WRITTEN PERMISSION OF MARKO FOAM IS PROHIBITED

100% RECYCLABLE

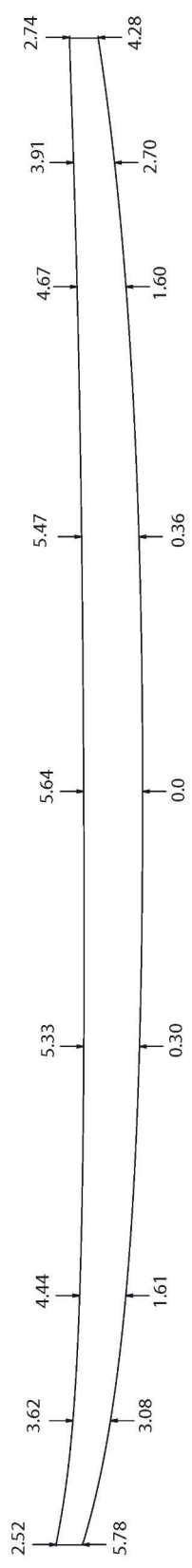
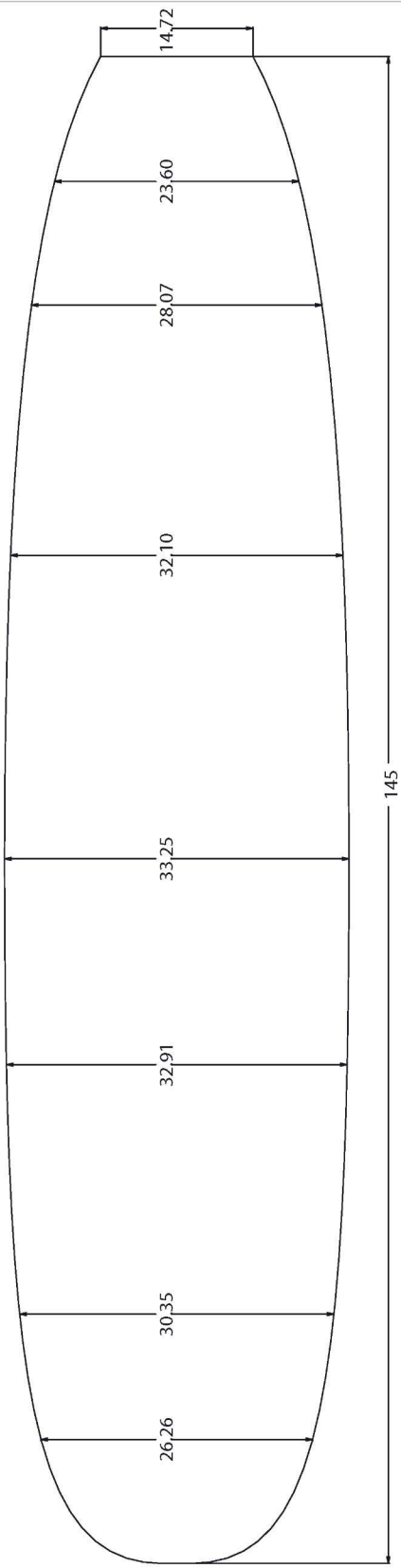
TITLE

11'0" MK-SUP-STD

SHAPER

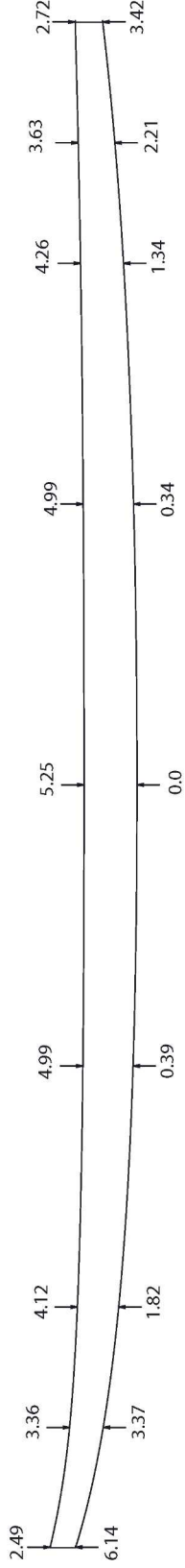
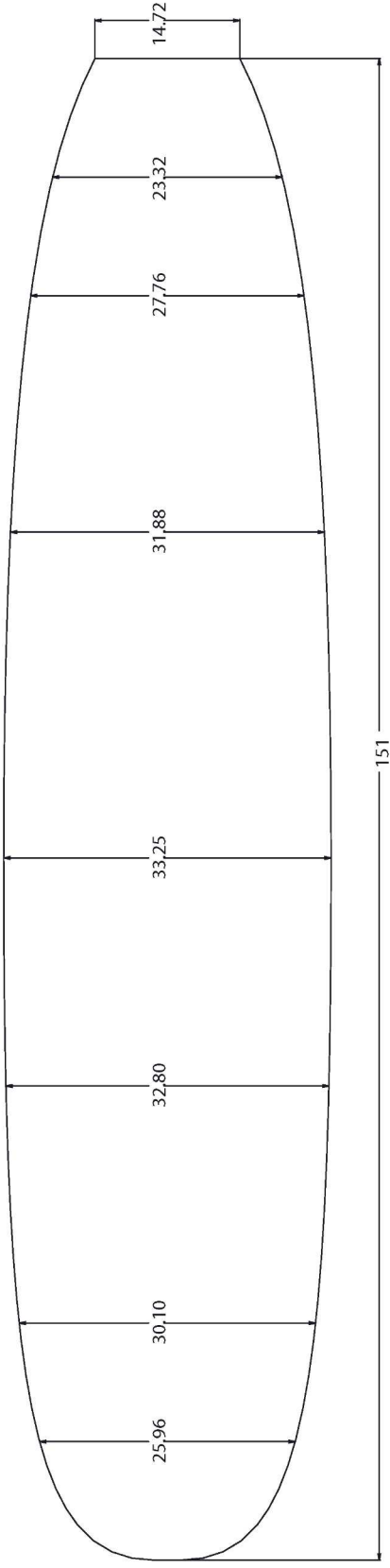
Marko Foam

12'0" MK-SUP-STD



<p>AVAILABLE DENSITIES:(PCF) refer to density chart</p>	<p>BLANK DESCRIPTION</p> <p>This is a slab cut blank made out of Virgin EPS, glued with our stock rocker that can be adjusted to your specifications.</p>	<p>THE INFORMATION IN THIS DRAWING IS THE SOLE PROPERTY OF MARKO FOAM. ANY REPRODUCTION IN PART OR AS A WHOLE WITHOUT THE WRITTEN PERMISSION OF MARKO FOAM IS PROHIBITED</p>	<p>100% RECYCLABLE</p>
<p>STOCK STRINGER: 1/8" BASS</p>			<p>TITLE</p> <p>12'0" MK-SUP-STD</p>
<p>Updated 5-11-16</p>			<p>SHAPER</p> <p>Marko Foam</p>

12'6" MK-SUP-STD



AVAILABLE DENSITIES:(PCF)
*refer to density chart

STOCK STRINGER:
NONE

Updated:5-11-16

BLANK DESCRIPTION

This is a slab cut blank made out of Virgin EPS, glued with our stock rocker that can be adjusted to your specifications.

THE INFORMATION IN THIS DRAWING IS THE SOLE PROPERTY OF MARKO FOAM. ANY REPRODUCTION IN PART OR AS A WHOLE WITHOUT THE WRITTEN PERMISSION OF MARKO FOAM IS PROHIBITED

100% RECYCLABLE

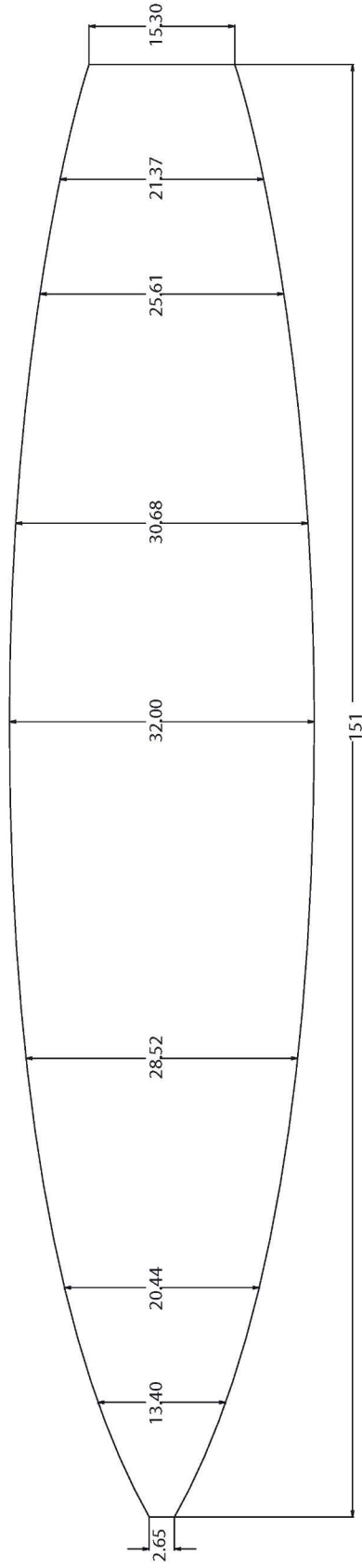
TITLE

12'6" MK-SUP-STD

SHAPER

Marko Foam

12'6" MK-SUP-MONO



AVAILABLE DENSITIES:(PCF)
*refer to density chart

BLANK DESCRIPTION

This is a slab cut blank made out of Virgin EPS, glued with our stock rocker that can be adjusted to your specifications.

THE INFORMATION IN THIS DRAWING IS THE SOLE PROPERTY OF MARKO FOAM. ANY REPRODUCTION IN PART OR AS A WHOLE WITHOUT THE WRITTEN PERMISSION OF MARKO FOAM IS PROHIBITED

100% RECYCLABLE

STOCK STRINGER:
NONE

TITLE

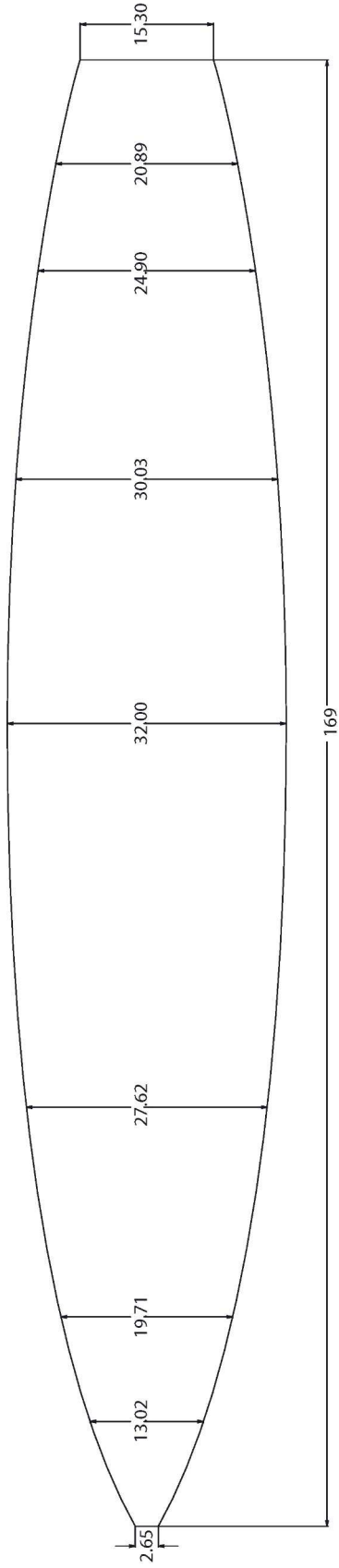
12'6" MK-SUP-MONO

SHAPER

Marko Foam

Updated 5-11-16

14'0" MK-SUP-MONO



AVAILABLE DENSITIES:(PCF)
*refer to density chart

STOCK STRINGER:
NONE

Updated 5-11-16

BLANK DESCRIPTION

This is a slab cut blank made out of Virgin EPS, glued with our stock rocker that can be adjusted to your specifications.

THE INFORMATION IN THIS DRAWING IS THE SOLE PROPERTY OF MARKO FOAM. ANY REPRODUCTION IN PART OR AS A WHOLE WITHOUT THE WRITTEN PERMISSION OF MARKO FOAM IS PROHIBITED

100% RECYCLABLE

TITLE

14'0" MK-SUP-MONO

SHAPER

Marko Foam