



TRAVELER
GUITAR

User Guide

THANK YOU FOR PURCHASING A TRAVELER GUITAR ULTRA-LIGHT BASS!

Traveler Guitar is the industry's leading manufacturer of full-scale, travel-sized instruments. Most travel guitars sacrifice playability for portability—but at Traveler Guitar, we believe players need both. Since 1992, we have designed full-scale acoustic and electric travel guitars, offering a wide variety of solutions for players on-the-go.

The Traveler Guitar Ultra-Light Bass you hold in your hands represents a revolution in travel bass guitar design—an electric bass guitar that can be played anywhere. Its unique design makes it compact for travel and small enough to fit in an airline overhead compartment.

Whether it's your cubicle, on vacay or a crowded city street, we are always interested in where you take your Traveler Guitar. Follow and tag us in your photos on social #travelerguitar.



@travelerguitar



@travelerguitar

UNPACKING YOUR GUITAR

If your guitar is factory packed it may be wrapped in a thin, temperature insulating bag. This bag can be discarded.

INCLUDED ACCESSORIES

Gig-Bag, and truss rod wrench



travelerguitar.com

CONSTRUCTION & SETUP

CONSTRUCTION:

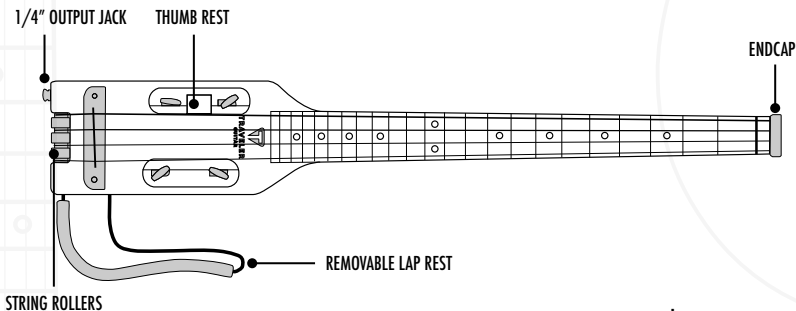
The Ultra-Light Bass is Traveler Guitar's lightest, most compact bass offering ever. Weighing just 3 pounds 6.5 ounces and measuring only 33 $\frac{3}{4}$ inch in length, this short scale 30 inch scale acoustic-electric bass can go anywhere you want to take it.

The proprietary In-Body Tuning System uses standard tuning machines relocated into the body, eliminating the need for a headstock. As a result, you'll have the same playing experience you're used to on an instrument that's 25% shorter and 61% lighter than a typical full size bass guitar.

The UltraLight Bass features a custom piezo pickup so you can plug into your favorite amplifier, while the built-in thumb rest and removable lap-rest frame allow you play in comfort, even in the tightest of spaces. The Ultra-Light Bass is the perfect solution for traveling players unwilling to compromise on playability, but still looking for a small and light solution. This is an ideal carry-on bass because it stows easily in airline overhead compartments in its included deluxe gig bag.

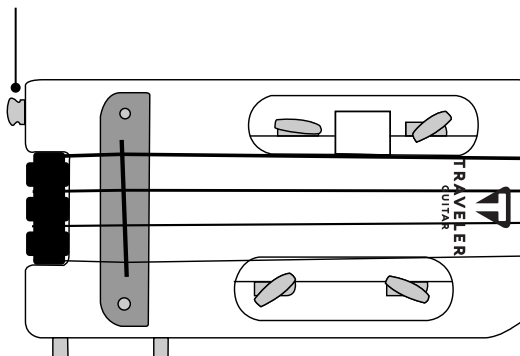
SETUP:

The Ultra-Light Bass is extremely easy to set up for playing. Its removable lap rest is stored in the front pouch of the gig bag. The prongs of the lap rest fit into small holes on the treble side of the guitar. Pressure holds the lap rest in place.



ON-BOARD ELECTRONICS

1/4" OUTPUT JACK/ STRAP BUTTON



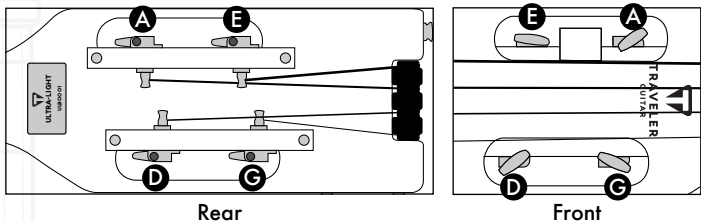
PLUGGING INTO AN AMP:

The Ultra-Light Bass has a piezo pickup under the saddle which requires no batteries. The standard 1/4" output can be plugged into any bass amplifier.

USING A STRAP:

Attach the front of your strap to the standard strap button on the heel of the neck, and the back around the output jack, which doubles as a second strap button.

STRINGING AND TUNING STREAMLINE SYSTEMS



INSTALLING STRINGS:

The Ultra-Light Bass uses standard ball-end bass strings. (Factory installed D'Addario EXL-165.) No special tools are required for string changes.

The tuners on your Traveler Guitar operate just like the tuners on a standard bass guitar. We recommend changing the strings two at a time—but be careful not to remove all the strings at once, since some of the components are held in place by string tension. Loosen the E, and A strings and then install two new strings in their places. Repeat this process on the D and G strings.

To change, thread the string through its hole in the end cap and wrap the string around the roller and through the corresponding tuner hole. Leave approximately 2 inches of slack in the string to allow 2 to 3 wraps on the tuner. Bend the string to anchor it in place in order to hold the string after it is fed through the tuner. Over- or under-wrapping the string around the tuner may cause tuning problems.

TUNING:

Hold the guitar in playing position and tune the strings as normal. Tuning the tuning machine in a clockwise motion raises the pitch.

CLEANING, STORAGE, AND GENERAL CARE

CLEANING:

Periodic cleaning and polishing will help protect your Traveler Guitar. Use a polish formulated for musical instruments and apply it according to the polish directions—or, you can wipe the guitar down with a clean, damp cloth followed quickly by a clean, dry cloth. To clean residue off the fingerboard, you can use extra-fine steel wool to rub up and down the length of the fingerboard over the top of the frets. Never use furniture polish on the guitar, as you may damage the finish.

STORAGE:

When not in use, your Traveler Guitar should be stored in its included gig bag to protect it from exposure to the elements. Protect your guitar from extreme temperatures and changes in humidity. Never leave your Traveler Guitar in a closed vehicle or any other location where the guitar will be exposed to extreme heat. If you live in a dry climate, you may want to use a guitar humidifier.

ADJUSTMENTS:

We recommend leaving complicated operations (such as truss rod adjustments) to a trained guitar technician. Improper truss rod adjustments may damage your guitar and void your warranty.

HANG STRAP:

The leather hang strap attached to your guitar's end cap was designed to aid in-store display, but it can also be used to hang your guitar from a wall mount or stand. Be sure your guitar is secure before walking away from it. If you wish, you can remove the strap by clipping the plastic tie with wire cutters. Be careful not to scratch the finish on the neck or end cap.

"BUMPER TO BUMPER" LIMITED LIFETIME WARRANTY

Each Traveler Guitar instrument is warranted to be free from defects in materials and workmanship for as long as it is owned by the original retail purchaser except strings, tuning machines, frets, switches, electronic components, jacks, pickguards, and plated surfaces, which are warranted for a period of three (3) years from the date of the original purchase. The warranty is only eligible to the original owner, and the guitar must have been purchased from an authorized Traveler Guitar dealer.

Traveler Guitar will replace or repair, at its discretion, any Traveler Guitar instrument or part thereof, which is found by Traveler Guitar to be defective. Traveler Guitar reserves the right to use original replacement materials or materials of similar design at the time of the repair.

To become eligible for warranty service, the original purchaser must:

1. Submit a completed warranty card or [online registration](#) form to Traveler Guitar.
2. Contact Traveler Guitar to obtain a Return Authorization Code before returning any instrument for service.
3. Provide proof of purchase with all requests for warranty service (original receipt.)
4. Be responsible for all freight and transportation to and from Traveler Guitar's facility in Redlands, CA.

The Traveler Guitar Warranty does not cover:

1. Instruments that have been altered or modified in any way, including altered or removed serial numbers.
2. Instruments that have been subjected to extreme temperature or humidity, chemicals, synthetic materials or other abnormal conditions.
3. Wear, discoloration or marks on the finish, metal plating or wood grain of the guitar.
4. Setups, adjustments, tonal characteristics or routine maintenance of any kind.
5. Instruments that have been damaged due to misuse or neglect.
6. Normal wear and tear to hardware including: strings, tuning machines, frets, switches, electronic components, jacks, pickguards, and plated surfaces.

Please contact us first to resolve any warranty issues.

Warranty Questions:

Traveler Guitar ATTN: Warranty Information
440 Business Center Court
Redlands, CA 92373 USA
travel@travelerguitar.com