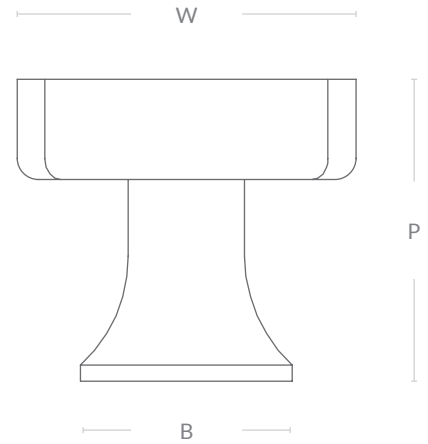


Harold Knob

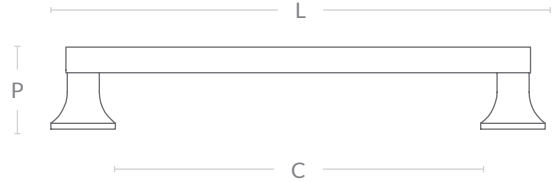


Knob Code	Width (W)	Projection (P)	Base (B)
HRLK/32	32mm	28.5mm	20mm



Available in all Armac Martin finishes, & supplied with M4 breakoff screws.
 Please see: www.armacmartin.co.uk/pages/our-finishes for further details.

Harold Pull Handle

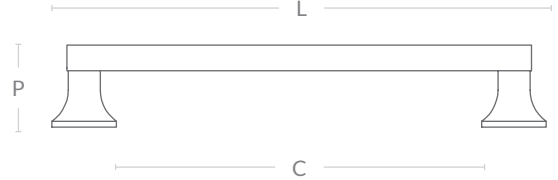


Pull Code	Length (L)	Centres (C)	Projection (P)
HRL/96	116mm	96mm	28.5mm
HRL/160	184mm	160mm	30.5mm
HRL/224	248mm	224mm	30.5mm



Available in all Armac Martin finishes, & supplied with M4 breakoff screws.
 Please see: www.armacmartin.co.uk/pages/our-finishes for further details.

Harold Appliance Pull

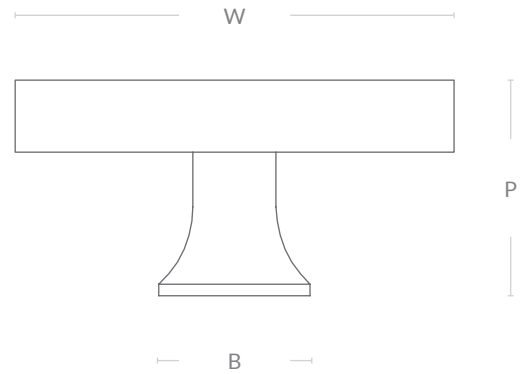


Pull Code	Length (L)	Centres (C)	Projection (P)
HRL/APP	382mm	352mm	40.7mm



Available in all Armac Martin finishes, & supplied with M4 breakoff screws.
Please see: www.armacmartin.co.uk/pages/our-finishes for further details.

Harold T-Bar



Knob Code	Width (W)	Projection (P)	Base (B)
HRLK/58	58mm	28.5mm	20mm



Available in all Armac Martin finishes, & supplied with M4 breakoff screws.
 Please see: www.armacmartin.co.uk/pages/our-finishes for further details.