

Switches  
**20A 120/277V AC**  
 Style Line® Decorator Weatherproof Series

# HUBBELL

**Features**

- NEMA Type 3R
- Single Pole / 3-Way Capable
- No cover required

**Ordering Information**

Description	Device Color	UPC	Catalog Number
Rocker, Weatherproof, Self-grounding, Back and side wired	White	883778309076	RSD120WPW

**Listings**

cULus Listed

**Specifications**

Base and Body	Polycarbonate
Plate	Polycarbonate
Terminal Screws	Brass
Contacts	Silver Alloy
Movable Contact Arm	Copper Alloy

**Performance**

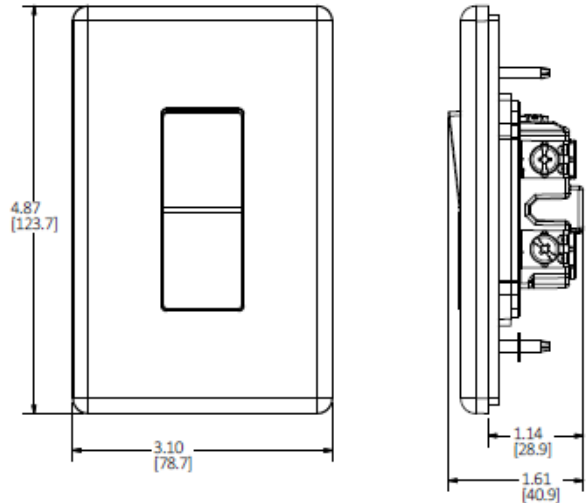
Electrical	
Dielectric Voltage	Withstands 1,500V AC minimum for 1 minute
Endurance	30,000 cycles minimum
Max. Working Voltage	120/277V
Overload	4.8 times rated current

**Environmental**

Weatherproof	3R Rated
Flammability	UL V2
Operating Temperatures	Maximum continuous 75°C minimum -40°C (without impact)

**Mechanical**

Terminal Accommodation	Back and side wire: #14 AWG min. - #10 AWG max. solid and stranded copper wire only
------------------------	---



Dimensions in Inches (mm)

Hubbell Wiring Device-Kellems • Hubbell Incorporated (Delaware) • 40 Waterview Drive • Shelton, CT 06484

Phone (800) 288-6000 • Fax (800) 255-1031 • Specifications subject to change without notice.

