

Tri-Power Countertop Pop-Up



Tri-Power Countertop Pop-Up

Power where you need it, when you need it



Accessibility

- Can charge multiple devices at the same time

Performance

- Able to charge devices fast and safe

Compatibility

- Compatible with most phones

Tri-Power Countertop Pop-Up

Power where you need it, when you need it



Qi Certified - Wireless

- Have passed rigorous independent laboratory tests

Safety

- Waterproof countertop rated

Compact

- Small Profile & Pop-Up
Receptacles for countertops

Accessibility

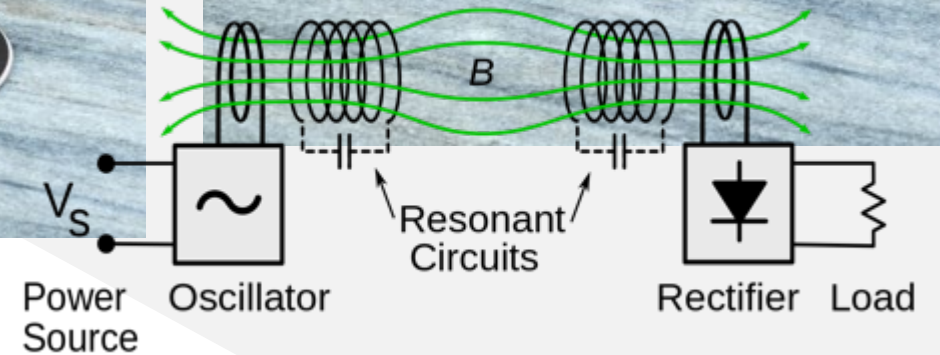
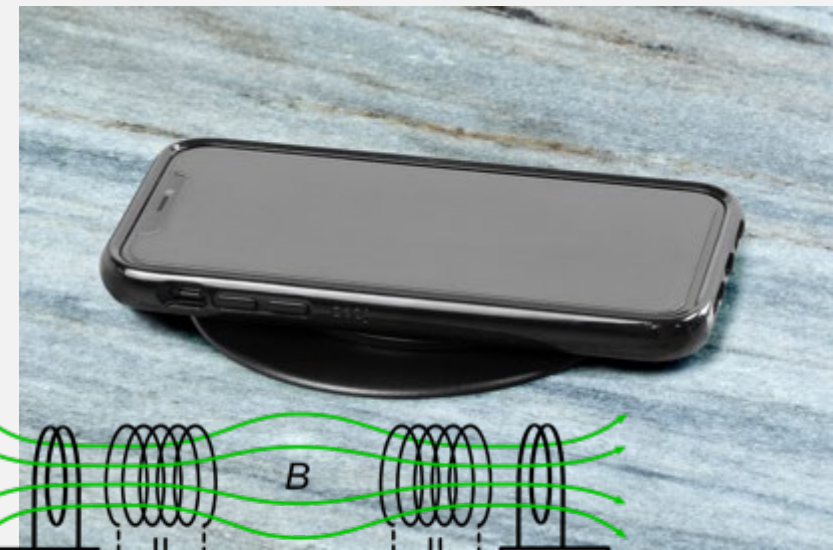
- Multiple ways to charge more than one device at a time
 - A/C power
 - USB ports
 - Wireless





Qi Certified

- **Qi** (pronounced 'chee') is a standard developed by the Wireless Power Consortium (WPC) for inductive electrical power transfer for distances up to 4 cm
- **Qi** uses **resonant inductive coupling** between the charging station and receiver. The base only activates when an enabled device requiring charging is placed upon it



- **Alternative claims** such as “Qi Compliant,” “Qi Compatible,” or “Works with Qi” suggests a product has not undergone proper Qi certification testing
- Pass rigorous, independent lab tests for safety, interoperability and energy efficiency

Performance



- Wireless: up to 7.5 watts
 - Anti Slip Silicone so phones will not slide off
- USB: Fast charge
 - Power delivery C-port, 30 Watts
- Receptacle: 15 & 20 Amp 120 Volt configuration

Customizable Color Kits



- Installable in surface mount option only, available in 7 different finishes

Aluminum w/Black, Gray or White



Nickel w/Black, Gray or White



Chrome w/Black, Gray or White



Brass w/Black, Gray or White



Bronze w/Black, Gray or White



Black w/Black



White w/White



Black

White

Aluminum

Brass

Nickel

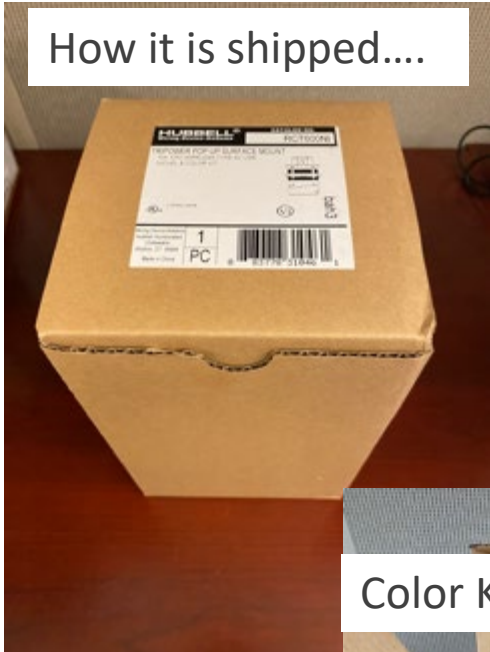
Chrome

Bronze



Packaging

How it is shipped....



Base under color kit with instructions....



Color Kit is on top...



Base comes with ordered flange and 3M tape for silicon top....



Color Kit includes Black, Gray and White Silicon Tops....

Black, Aluminum, Brass, Nickle, Chrome, Bronze White not pictured

Features

- Because spills happen
 - Spill water tested
 - Self sealing silicon gaskets at the face
 - Watertight interior
- UL Listed for countertop installation (UL 498 Section 146-151)
- Permanent installation ready for hardwire
- Meets NEC 406.5(E)



RCT600BK

Features



- Charge multiple devices at the same time
- LED Light indicates power to the ports
- Type A and C USB ports
- Durable: Push-down to pop-up function is rated for a minimum of 10,000 cycles
- Stability: Tower won't wiggle in enclosure
- Accepts non-metallic sheathed cable and/or metal conduit
- Suitable for 20 Amp circuit, end of line
- Includes 3 replaceable tops in black, white, and gray

Safety

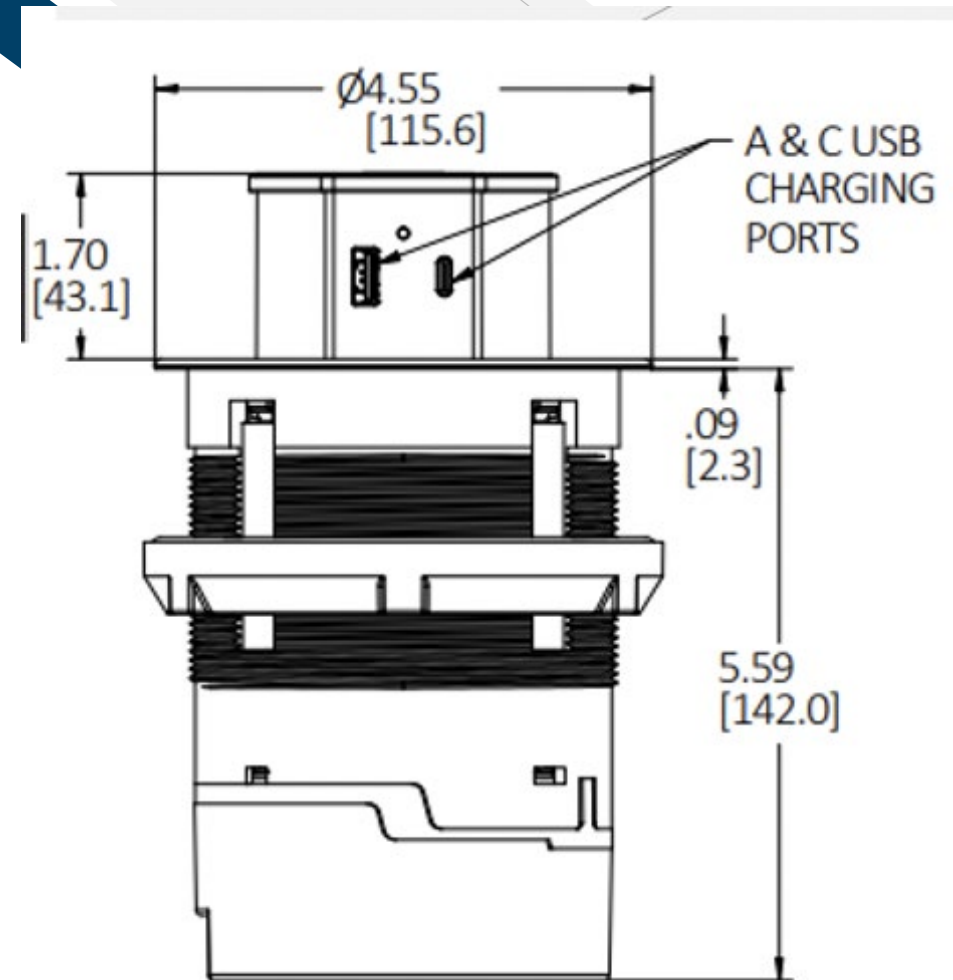
- Waterproof Pop-up
 - Silicon gaskets are built into the receptacle to create a water-resistant seal up to half a gallon of liquid
- Patented Cam-Action Tamper-Resistant Shutters
- Permanent hard-wired metal wiring chamber
- Must be hardwired to GFCI circuit to be protected



Compact Design

- Reduced size minimizes the space required on the countertop and underneath the cabinet area
 - Low-profile, Low-protrusion
- Only 4 inches in diameter

Flange Color	Top Color	15 Amp	20 Amp
Nickel	Black, White, & Gray	RCT600NI	RCT620NI
Aluminum	Black, White, & Gray	RCT600ALU	RCT620ALU
Black	Black	RCT600BK	RCT620BK
White	White	RCT600W	RCT620W
Chrome	Black, White, & Gray	RCT600CH	RCT620CH
Bronze	Black, White, & Gray	RCT600BZE	RCT620BZE
Brass	Black, White, & Gray	RCT600BR	RCT620BR



Catalog Page

POWER DELIVERY SOLUTIONS

Countertop Receptacles

Hubbell pop-up receptacles provide a power source ideal for kitchen and bath counters and islands. The first pop-up receptacles UL listed for countertop applications, the receptacles feature Hubbell's patent pending silicone gaskets and patented cam action tamper-resistant technology, .

- First pop-up receptacles UL listed for countertop applications and permanent installations
- Minimizes space required on the countertop and underneath in the cabinet area



Countertop Receptacles

Description	Finish	Color/Material	15A 125V Receptacle		20A 125V Receptacle	
			Surface Mount	Flush Mount	Surface Mount	Flush Mount
Tamper-resistant pop-up kitchen counter receptacle, rated for 20A circuits Cover: machined aluminum, wiring chamber accepts 1/2" MC or non-metallic sheath cable	Powder Coated	Black	RCT200BK	RCT201BK	RCT220BK	RCT221BK
		White	RCT200W	RCT201W	RCT220W	RCT221W
		Bronze	RCT200BZE	RCT201BZE	RCT220BZE	RCT221BZE
	Brushed	Aluminum	RCT200ALU	RCT201ALU	RCT220ALU	RCT221ALU
		Brass	RCT200BR	RCT201BR	RCT220BR	RCT221BR
		Nickel	RCT200NI	RCT201NI	RCT220NI	RCT221NI
Polished	Chrome	RCT200CH	RCT201CH	RCT220CH	RCT221CH	
Tri-power AC, includes: tamper-resistant pop-up kitchen counter receptacle, USB Type AC and wireless inductive, rated for 20A circuits Cover: machined aluminum, wiring chamber accepts 1/2" MC or non-metallic sheath cable; surface mount only	Powder Coated	Black	RCT600BK	—	RCT620BK	—
		White	RCT600W	—	RCT620W	—
		Bronze	RCT600BZE	—	RCT620BZE	—
	Brushed	Aluminum	RCT600ALU	—	RCT620ALU	—
		Brass	RCT600BR	—	RCT620BR	—
		Nickel	RCT600NI	—	RCT620NI	—
Polished	Chrome	RCT600CH	—	RCT620CH	—	

