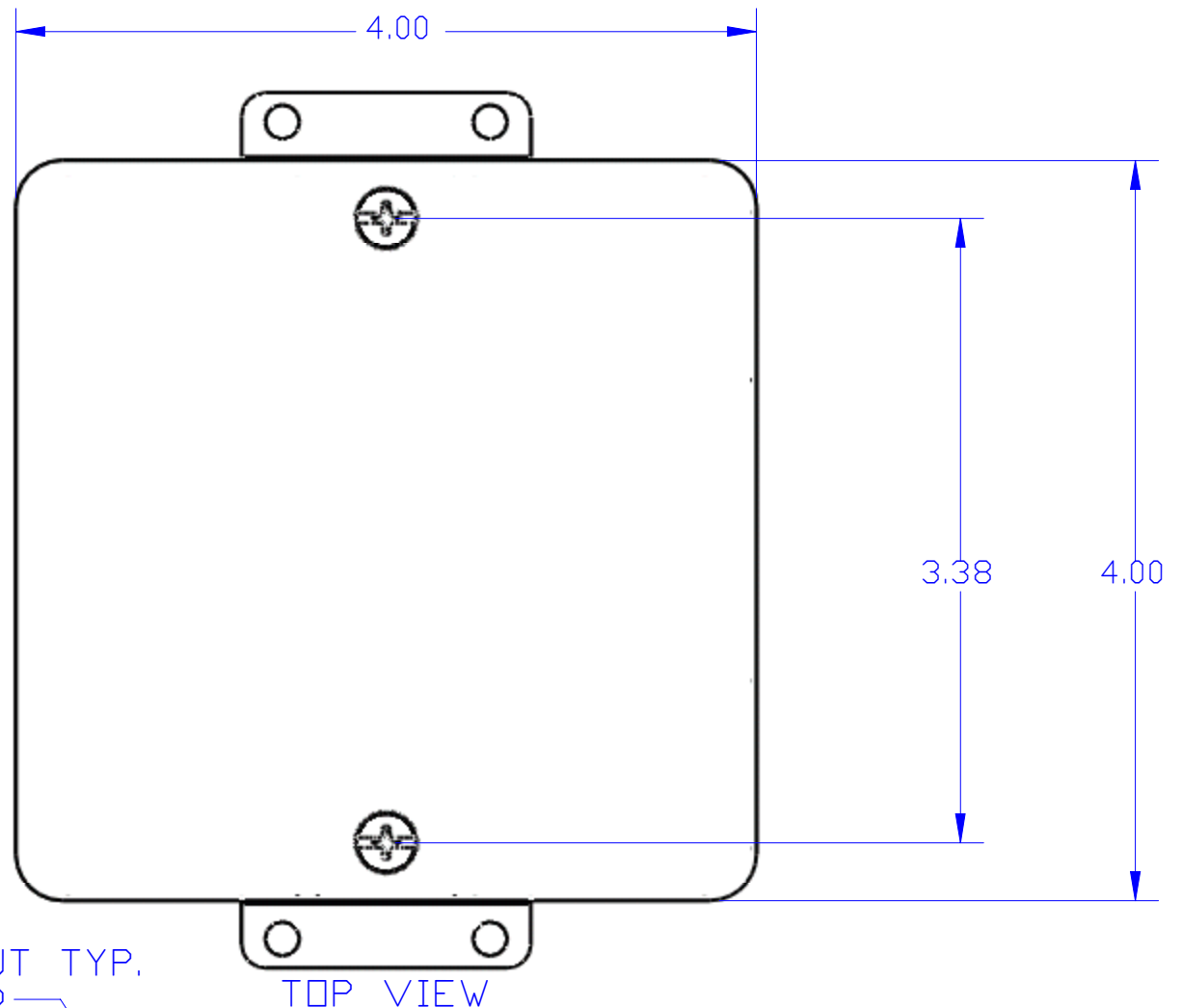
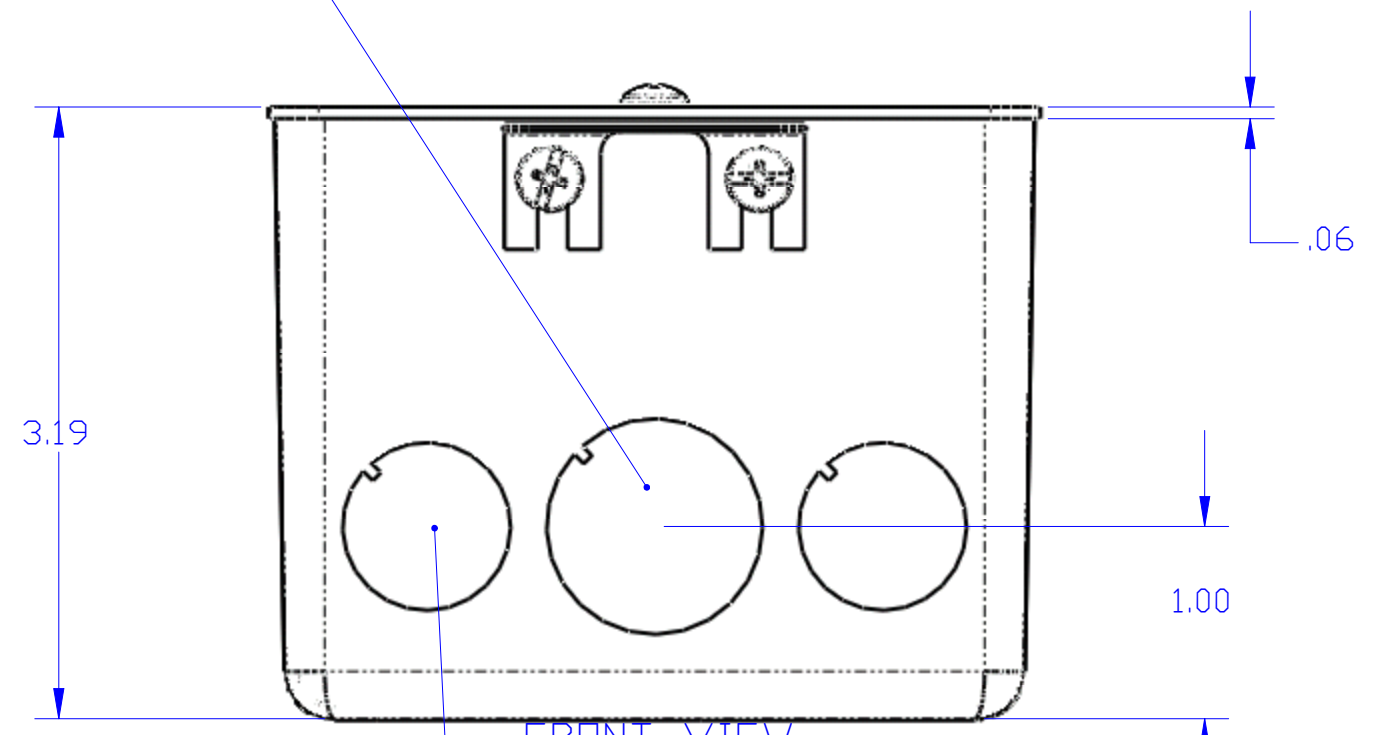


DESCRIPTION:
WOOD FLOOR BOX FOR PUFF PLATES

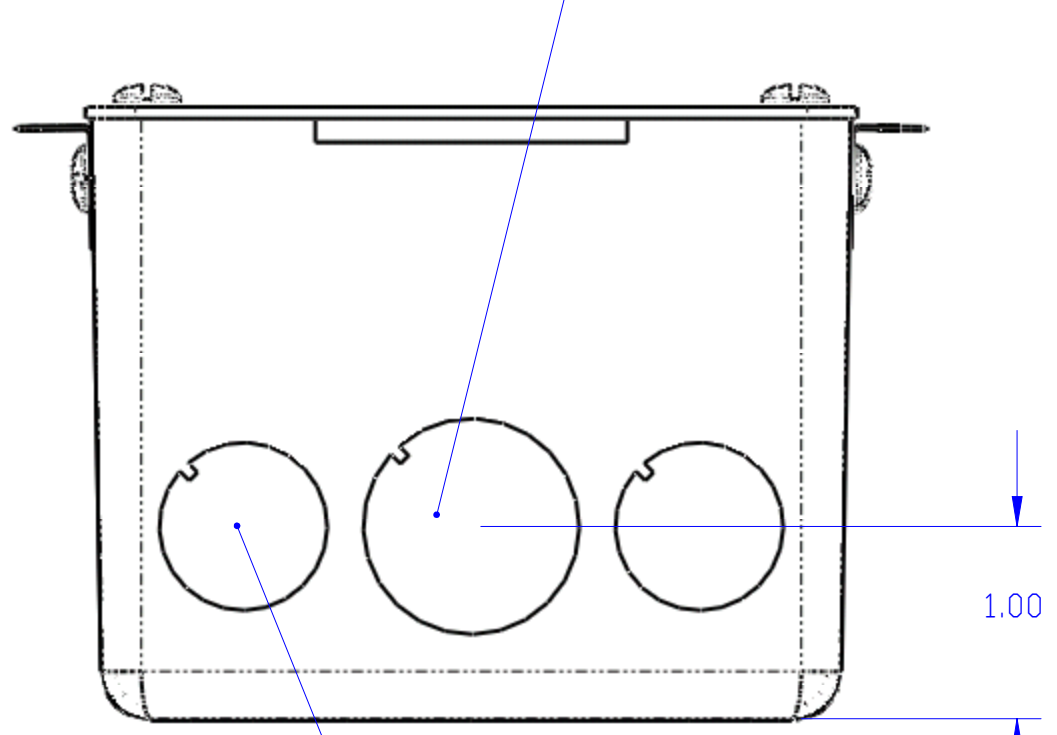


3/4" KNOCK-OUT TYP.
(OPPOSITE SIDE)

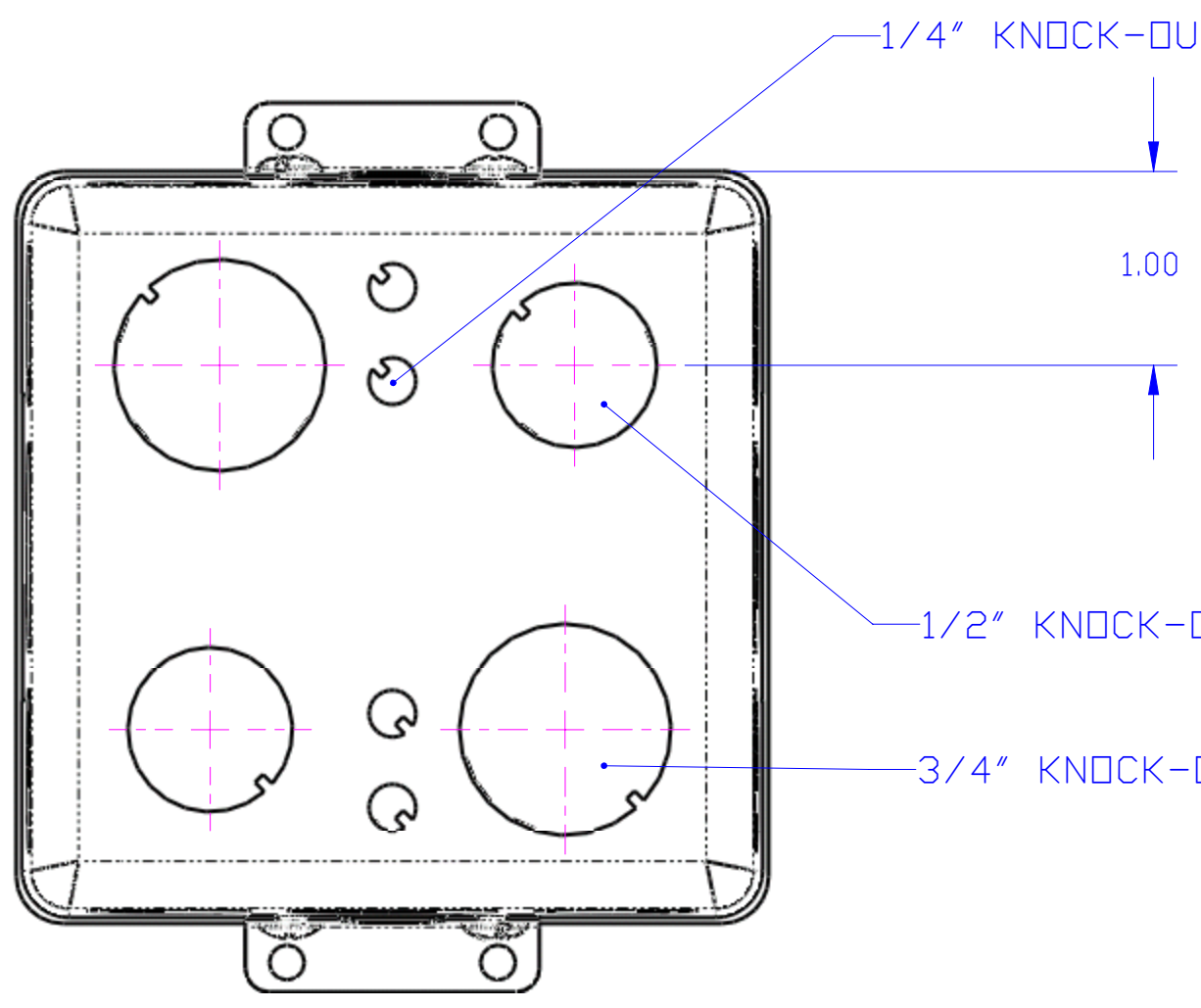


1/2" KNOCK-OUT TYP.
(OPPOSITE SIDE)

3/4" KNOCK-OUT TYP.
(OPPOSITE SIDE)



1/2" KNOCK-OUT TYP.
(OPPOSITE SIDE)

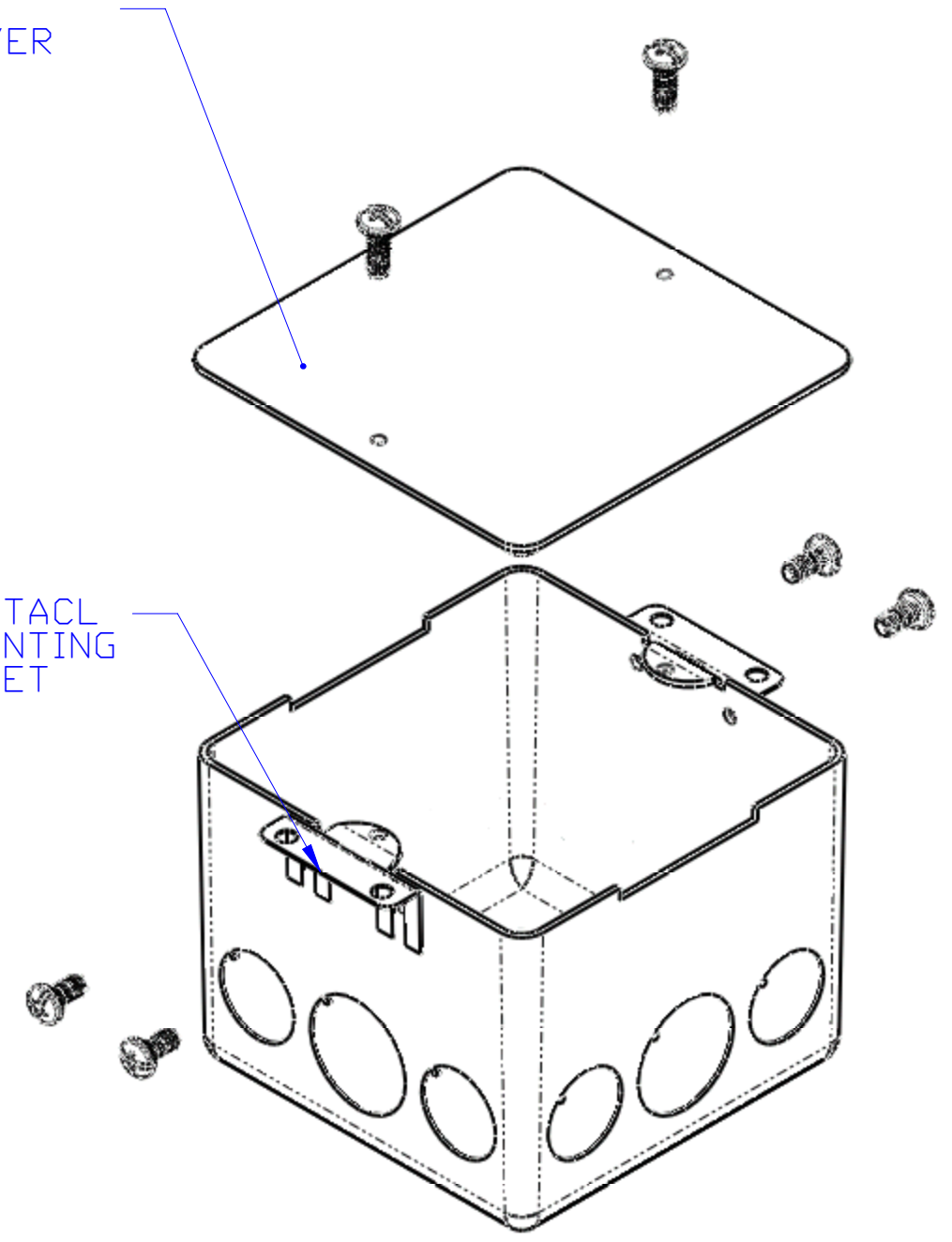


1/2" KNOCK-OUT TYP.

3/4" KNOCK-OUT TYP.

PROTECTIVE
PLASTIC COVER

RECEPTACLE
MOUNTING
BRACKET



LEW ELECTRIC
FITTINGS COMPANY
SERVING THE ELECTRICAL INDUSTRY SINCE 1901
1801 W. St. Charles Rd. Maywood, IL 60153
PHONE: 708-345-2075

UNLESS OTHERWISE SPECIFIED:		NAME	DATE	TITLE: PUFP-WB
DIMENSIONS ARE IN INCHES		DRAWN	P.J.G.	
TOLERANCES:				SIZE DWG. NO. REV C 100183 A
FRACTIONAL ±				
ANGULAR: MATCH ± BEND ±				
TWO PLACE DECIMAL ±				
THREE PLACE DECIMAL ±				WEIGHT: SHEET 1 OF 2
INTERPRET GEOMETRIC TOLERANCING PER:		COMMENTS:		
MATERIAL:				
FINISH:				
DO NOT SCALE DRAWING				