



# KT-WDLED13-6A-9CSF-FDIM

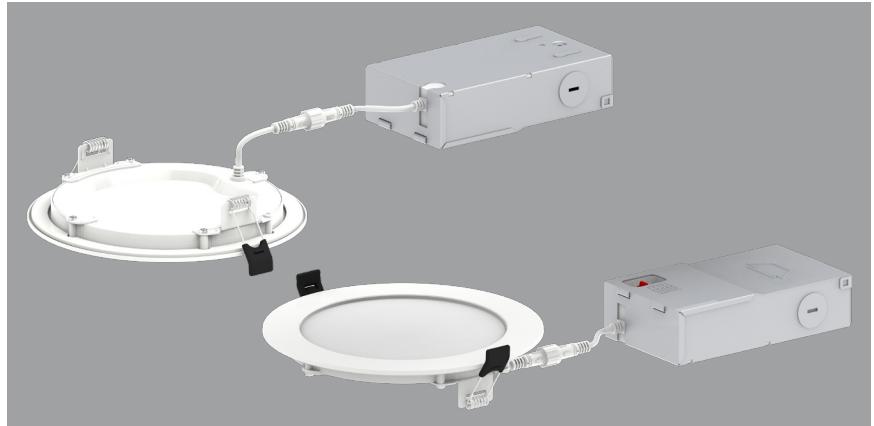
## 6" LED SLIM WAFER DOWNLIGHT

### DESCRIPTION

6" LED Slim Wafer Downlight |  
 Color Select Technology |  
 Remote Driver with Built-in Junction Box

### APPLICATION

Ideal for residential, hospitality, retail, office, and other retrofit and new construction applications



### PRODUCT FEATURES

- Keystone Color Select technologies offers SKU reduction and allows for easy, on-the-job adjustments
- Utilizes a remote driver with built-in junction box and quick disconnect; Eliminates the need for a traditional, multi-piece fixture setup
- CEC Compliant Flicker Rate (CEC JA10 std.)
- Ideal for new construction, remodel, and retrofit applications
- Flat body allows fit for shallow ceilings
- Interchangeable trims available in matte black, brushed nickel, and bronze
- Powered by Keystone TRIAC dimming LED driver, 10–100% dimming
- Ambient operating temperature: –30°C/–22°F to 40°C/104°F
- Suitable for use in wet locations
- Airtight and Type IC-rated
- Power factor: >0.90
- THD: <20%
- LED chip lifetime: L70 >80,000 hrs @ 25°C/77°F ambient fixture temp
- FCC Part 15, Subpart B, Class B

### PERFORMANCE SPECIFICATIONS

Catalog Number	Input Voltage	Wattage	CCT (Selectable)*	Lumen Output	Efficacy	CRI	Power Factor	Beam Angle	Lifetime
KT-WDLED13-6A-9CSF-FDIM	120V	13W	2700K	1,000	77 lm/W	>90	>0.9	110°	50,000 hrs
			3000K	1,030	79 lm/W				
			3500K	1,065	82 lm/W				
			4000K	1,080	83 lm/W				
			5000K	1,070	82 lm/W				

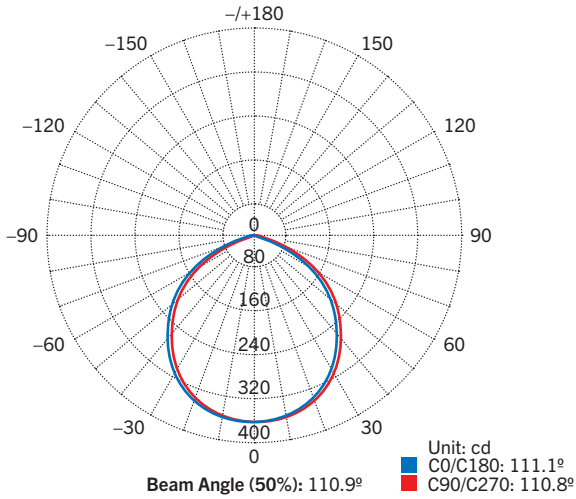
\*Preset to 3000K  
 Color Uniformity: CCT (Correlated Color Temperature) range as per guidelines outlined in ANSI C78.377-2017

# KT-WDLED13-6A-9CSF-FDIM

## 6" LED SLIM WAFER DOWNLIGHT

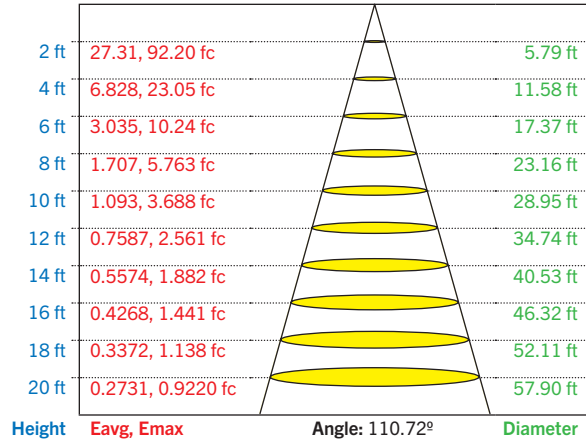
### PHOTOMETRIC SPECIFICATIONS

#### POLAR CANDELA DISTRIBUTION



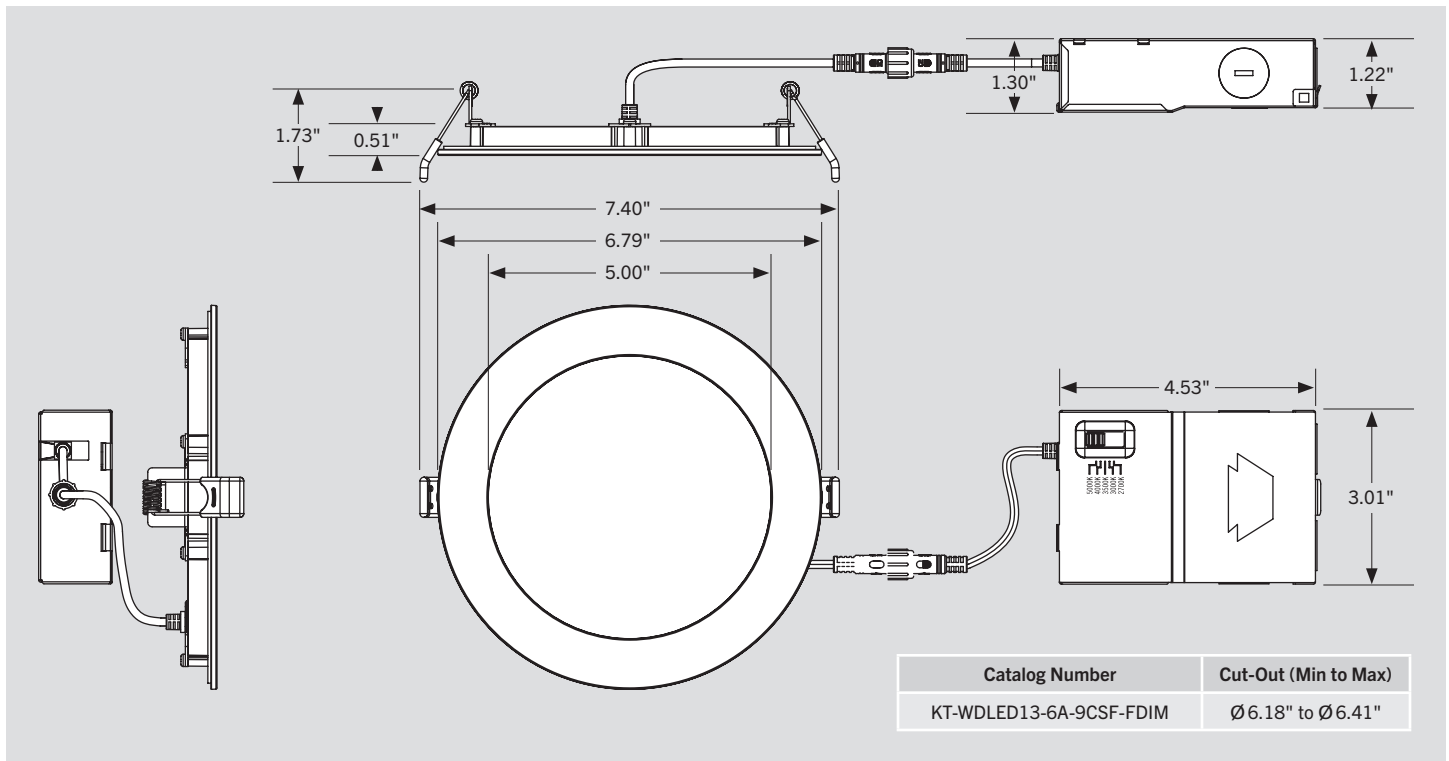
#### LUX DISTANCE CURVE

Flux Out: 754.4 lm



Curves show illuminated area and average illumination when lamp is at various distances.

### PHYSICAL SPECIFICATIONS



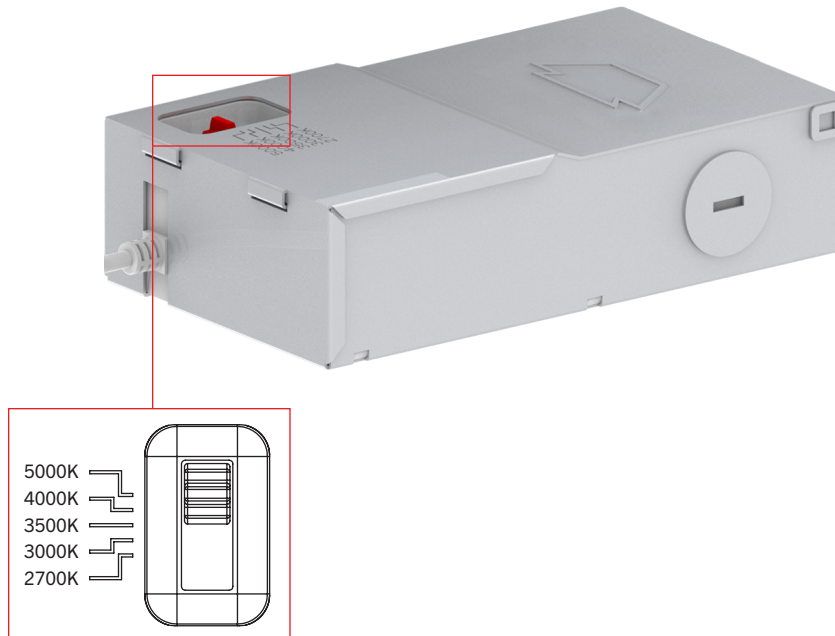
# KT-WDLED13-6A-9CSF-FDIM

## 6" LED SLIM WAFER DOWNLIGHT

### COLOR SELECT (CCT) ADJUSTMENT

This fixture is equipped with field-adjustable Keystone Color Select technology.

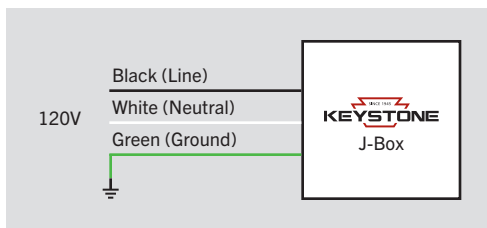
1. Ensure power is off to the fixture.
2. Adjust dip switch to desired setting.



### COLOR SELECT ADJUSTMENT SWITCH

Set dip switch to adjust CCT between 2700K, 3000K, 3500K, 4000K, and 5000K. Fixture comes preset at 3000K.

### WIRING DIAGRAM



# KT-WDLED13-6A-9CSF-FDIM

## 6" LED SLIM WAFER DOWNLIGHT

### INSTALLATION INSTRUCTIONS

#### RETROFIT INSTALLATION

- 1. Shut off power at the source of the fixture housing into which you are installing fixture.**

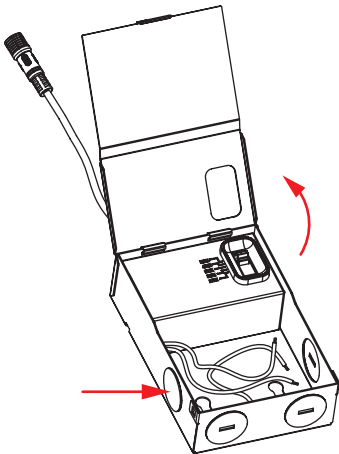
Remove existing trim, CFL or incandescent bulb.

*Note:* Follow all federal and local regulations when disposing of lamps and removed components.

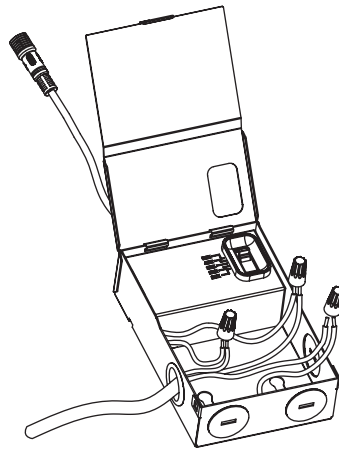
- 2. Measure ceiling opening to ensure that the edge of the luminaire will cover the entire opening and still sit firmly in the ceiling (see *Dimensions* on page 2).**

- 3. Select desired CCT using adjustment switch on fixture (see *Color Select (CCT) Adjustment* on page 3).**

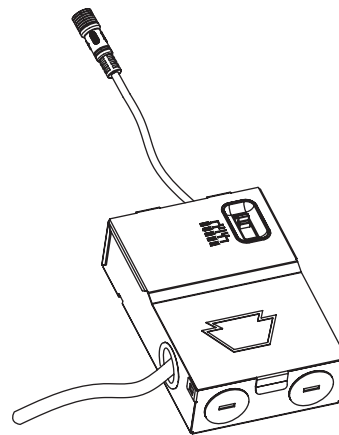
- 4. Open the driver box and remove the knockout(s) (KO).**



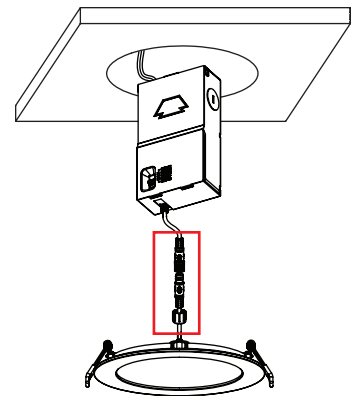
- 5. Insert the electrical supply cable through the KO; use appropriate bushing to prevent wire abrasion. Wire driver box (see *Wiring Diagram* on page 3 and illustration below).\***



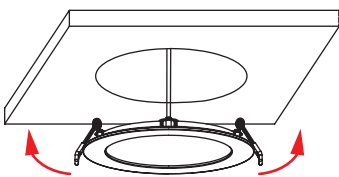
- 6. Place all wiring and connections back into the box and close the cover.**



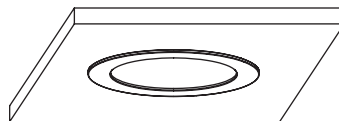
- 7. Insert driver box into ceiling in accordance with local/national codes and connect the male and female connectors. Screw threaded nut over connectors to secure.**



- 8. Lifting both retention tabs upward, push the fixture into the hole until trim sits flush with ceiling.**



- 9. Restore power when ready.**



\* Keystone offers an optional cable accessory to assist with wiring to existing fixture J-box. See KT-MC-NP-1-18/3, Optional Accessories (sold separately) on page 6.

(Installation Instructions continued on next page)

# KT-WDLED13-6A-9CSF-FDIM

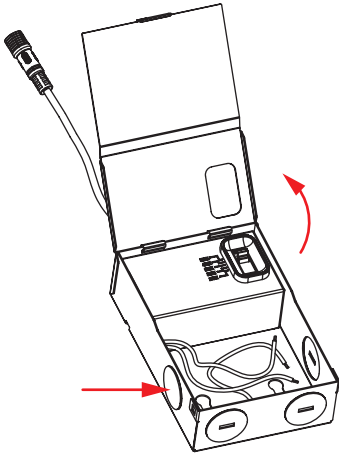
## 6" LED SLIM WAFER DOWNLIGHT

### INSTALLATION INSTRUCTIONS (continued)

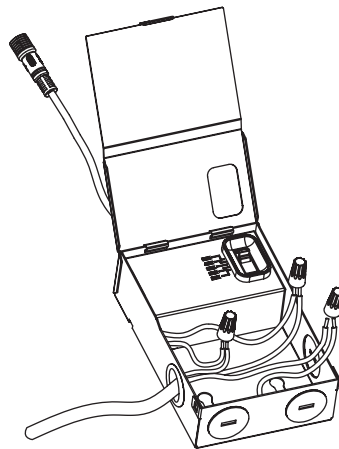
#### NEW-CONSTRUCTION INSTALLATION\*

1. Shut off power at the source of the fixture housing into which you are installing fixture.
2. Using installation hole template, create ceiling opening to ensure that the edge of the luminaire will cover the entire opening and still sit firmly in the ceiling (see *Dimensions* on page 2).
3. Select desired CCT using adjustment switch on fixture (see *Color Select (CCT) Adjustment* on page 3).

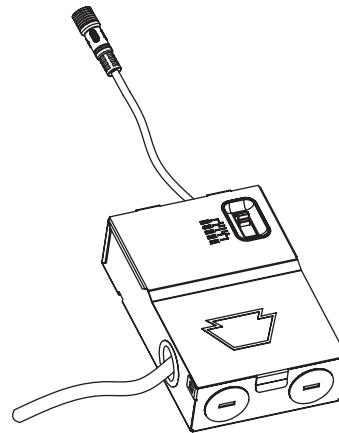
4. Open the driver box and remove the knockout(s) (KO).



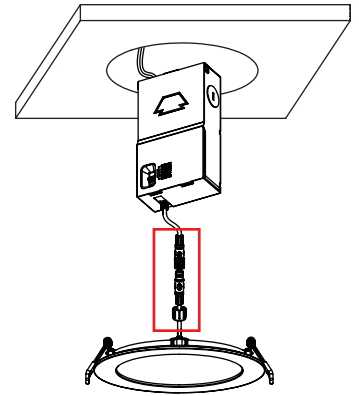
5. Insert the electrical supply cable through the KO; use appropriate bushing to prevent wire abrasion. Wire driver box (see *Wiring Diagram* on page 3 and illustration below).\*



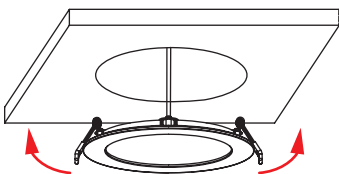
6. Place all wiring and connections back into the box and close the cover.



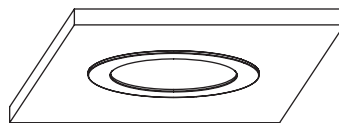
7. Insert driver box into ceiling in accordance with local/national codes and connect the male and female connectors. Screw threaded nut over connectors to secure.



8. Lifting both retention tabs upward, push the fixture into the hole until trim sits flush with ceiling.



9. Restore power when ready.



\* Keystone offers an optional cable accessory to assist with wiring to existing fixture J-box. See KT-MC-NP-1-18/3, Optional Accessories (sold separately) on page 6.

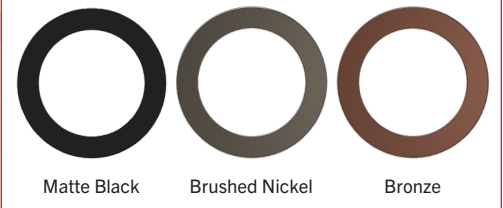
# KT-WDLED13-6A-9CSF-FDIM

## 6" LED SLIM WAFER DOWNLIGHT

### OPTIONAL ACCESSORIES (sold separately)

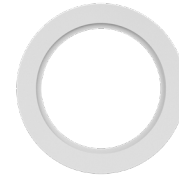
#### INTERCHANGEABLE TRIM

Catalog Number	Description	UPC	Easy Code
KT-WDLED-6A-MB-TRIM	6" Interchangeable Trim for 6A LED Slim Wafer Downlight; Matte Black	843654139326	IFV-73
KT-WDLED-6A-BN-TRIM	6" Interchangeable Trim for 6A LED Slim Wafer Downlight; Brushed Nickel	843654139357	PJM-11
KT-WDLED-6A-BR-TRIM	6" Interchangeable Trim for 6A LED Slim Wafer Downlight; Bronze	843654139388	RXK-07



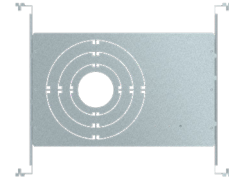
#### GOOF RING

Catalog Number	Description	UPC	Easy Code
KT-WDLED-6AB-GOOF	Goof Ring for 6A/6B LED Wafer Downlights; 8" outer diameter	843654139654	MKE-35



#### NEW-CONSTRUCTION PLATE

Catalog Number	Description	UPC	Easy Code
KT-WDLED-PLATE-2	New Construction Mounting Plate for all A and B LED Wafer Downlights for joist and T-grid installations	843654139791	FZT-71



#### EXTENSION CABLES

Catalog Number	Description	UPC	Easy Code
KT-WDLED-EC-6	6' Extension Cord for LED Wafer Downlights	843654139739	GOK-14
KT-WDLED-EC-12	12' Extension Cord for LED Wafer Downlights	843654139746	ECE-88
KT-WDLED-EC-20	20' Extension Cord for LED Wafer Downlights	843654139753	JLM-06



#### METAL-CLAD CABLE

Catalog Number	Description	UPC	Easy Code
KT-MC-NP-1-18/3	Metal-Clad Cable for LED Recessed Downlights; No plug; UL 16AWG 18/3 wire (live, neutral, ground)	843654139777	AYT-71



#### EMERGENCY PACK

Catalog Number	Description	UPC	Easy Code
KT-EMRG-LED-5-500-AC /DF	LED Emergency Backup, 5W - 500 Lumen Constant Power Design. 120-277V Input. Dual Flex Cable Design. Installs on Primary Side of AC Powered LED load.	843654120843	DUE-53





# KT-WDLED13-6A-9CSF-FDIM

## 6" LED SLIM WAFER DOWNLIGHT

### ORDERING INFORMATION

Catalog Number	Pack Qty.	UPC	Easy Code
KT-WDLED13-6A-9CSF-FDIM	1	843654139074	QQF-09

### CATALOG NUMBER BREAKDOWN

# KT-WDLED13-6A-9CSF-FDIM

1 2 3 4 5 6 7 8 9 10

- 1** Keystone Technologies
- 2** Fixture Type
 

WD	Wafer Downlight
----	-----------------
- 3** LED Technology
- 4** Maximum Wattage
- 5** Size
 

6	6" Nominal
---	------------
- 6** Style/Design Designation
 

A	Series A
---	----------
- 7** CRI
 

9	90
---	----
- 8** Color Select Technology
- 9** Color Select Designation
 

F	2700K, 3000K, 3500K, 4000K, 5000K
---	-----------------------------------
- 10** Dimming
 

FDIM	Phase Dimming
------	---------------