



LEW ELECTRIC FITTINGS COMPANY

PUSH DOWN AIR SWITCH (PDAS)

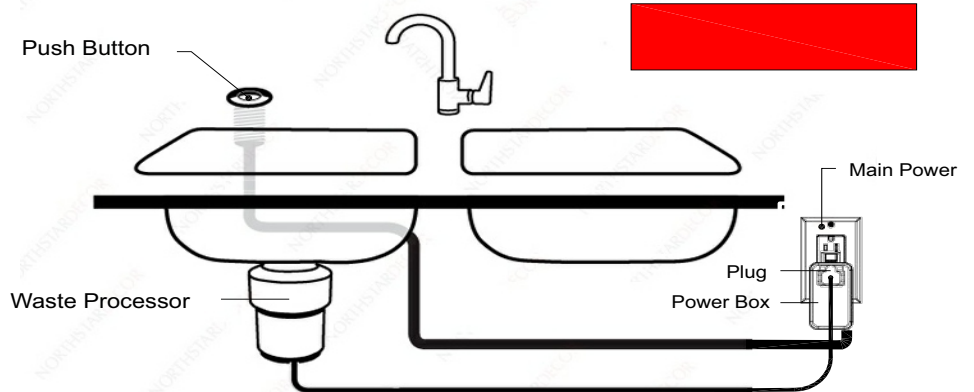
Introduction

Product Name PDAS-XX (XX IS COLOR)

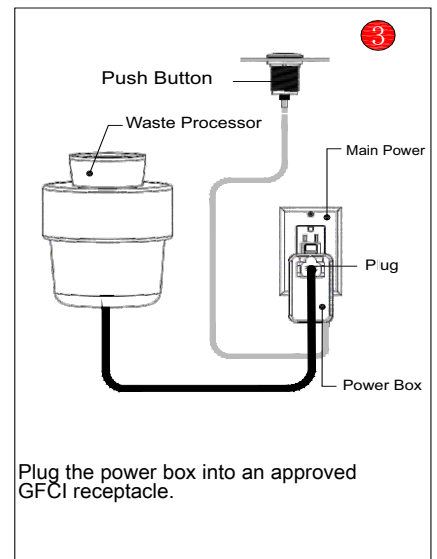
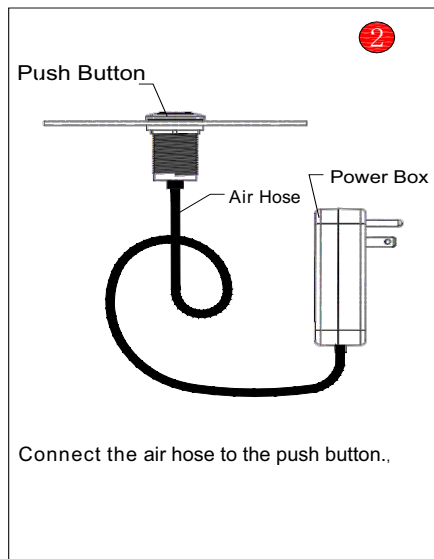
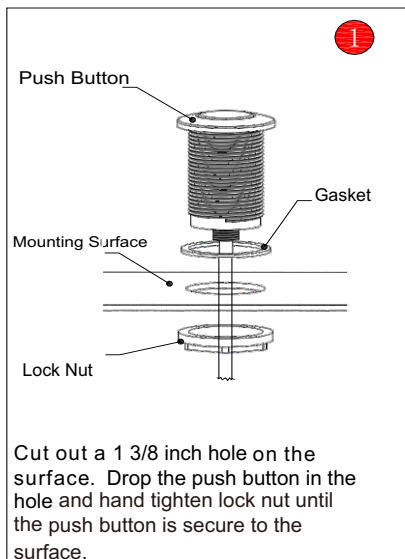
Rated Voltage: 110V~220V

Application scope : Use together with waste processor.

Directions : Machine will operate after finishing installation and pushing the button. When waste cleared, push the button again to stop it.



Installation Instruction Details

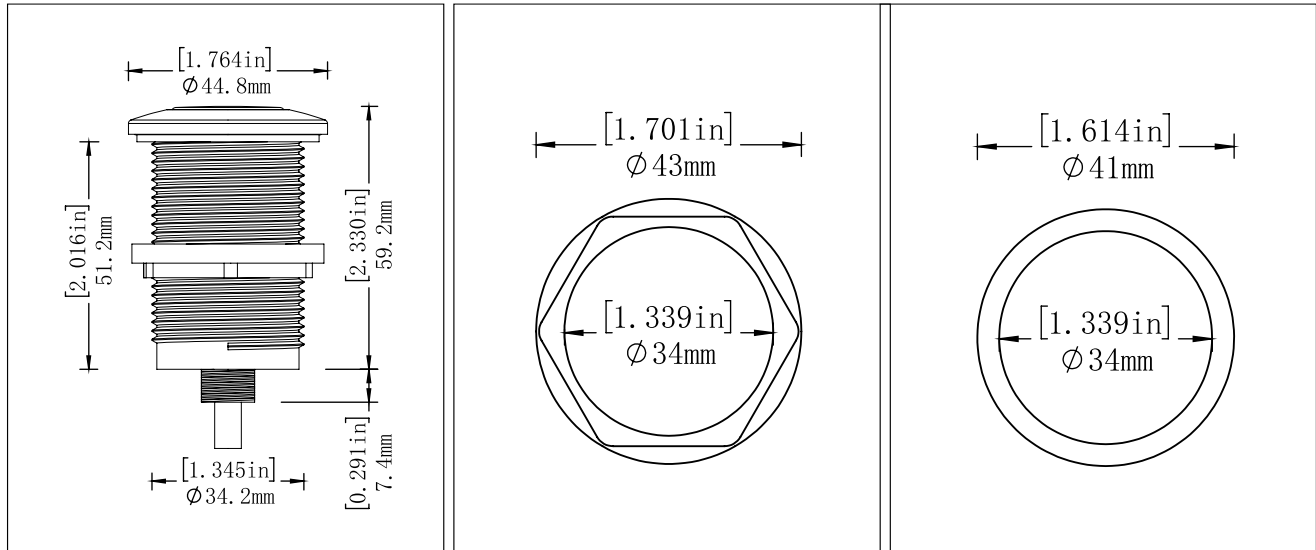


Attention: Make sure that air pipe is in place and choose proper power. To avoid electric shock, please don't operate with wet hands.

PRIOR TO INSTALLATION

- Contact a local electrical inspector to make sure that this product meets or exceeds all local electrical codes (electric codes may vary by location).
- Disconnect and turn off all power sources.
- Only licensed, insured, and bonded electrical contractors should install the PDAS.
- Low Electric accepts no responsibility if the above conditions are not followed.

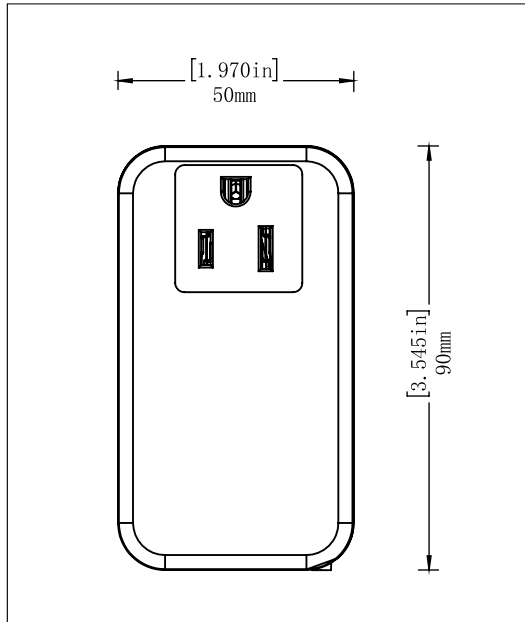
Product Dimension Details



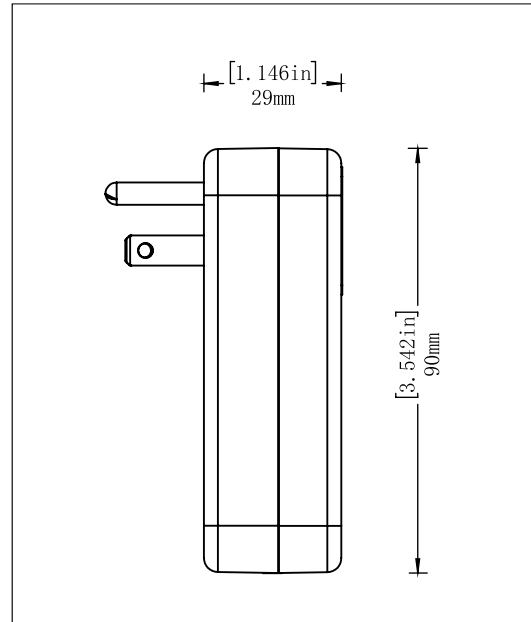
Push Button

Lock Nut

Gasket



Power Box (Front)



Power Box (Side)

**** CONTROLLER WILL WORK WITH WASTE DISPOSALS UP TO 1HP ****

**** PDAS CAN ACCOMMODATE A HOLE SIZE UP TO 1.5 INCHES****